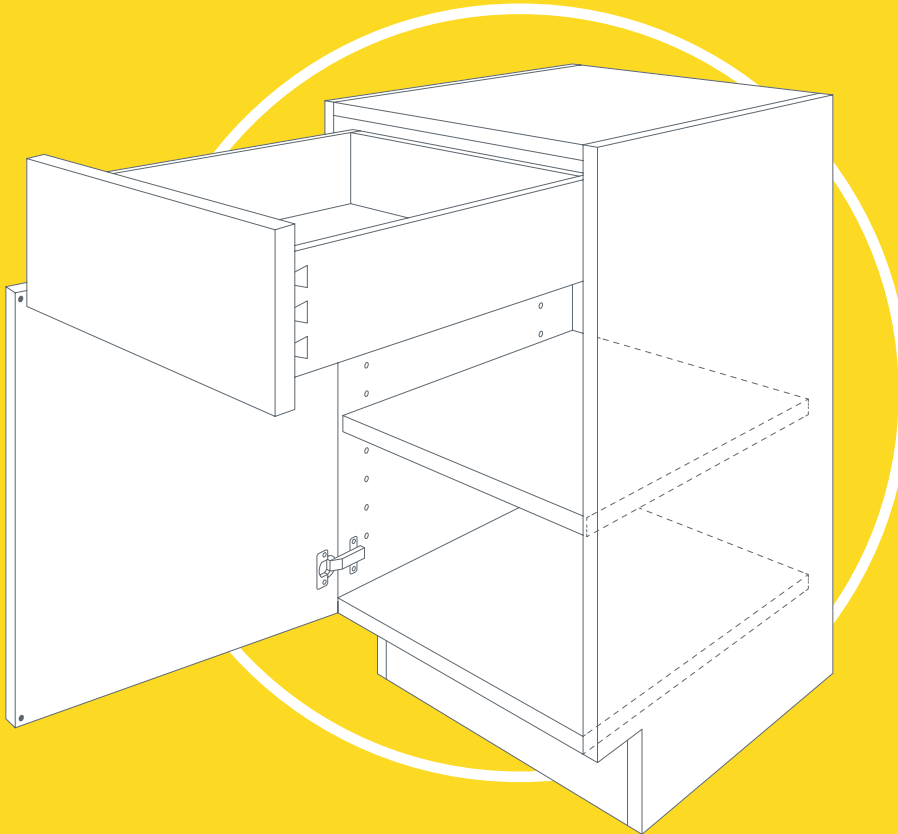




Wall Cabinet Configurations



CABINET NOMENCLATURE

WFD301824

CABINET TYPE	WIDTH	HEIGHT	DEPTH
--------------	-------	--------	-------

ex. **W3036** = Wall Cabinet: 30-in wide x 36-in tall
Width x Height x Depth (depth is standard 12-in, so is not noted)

ex. **4BD18** = Four Base Drawer Cabinet: 18-in wide
Height x Depth not noted (these are standard 24-in deep x 34 1/2-in high)

...

BASE CABINETS: Standard 34 1/2-in tall (before countertop) and 24-in deep (not including door/drawer faces).

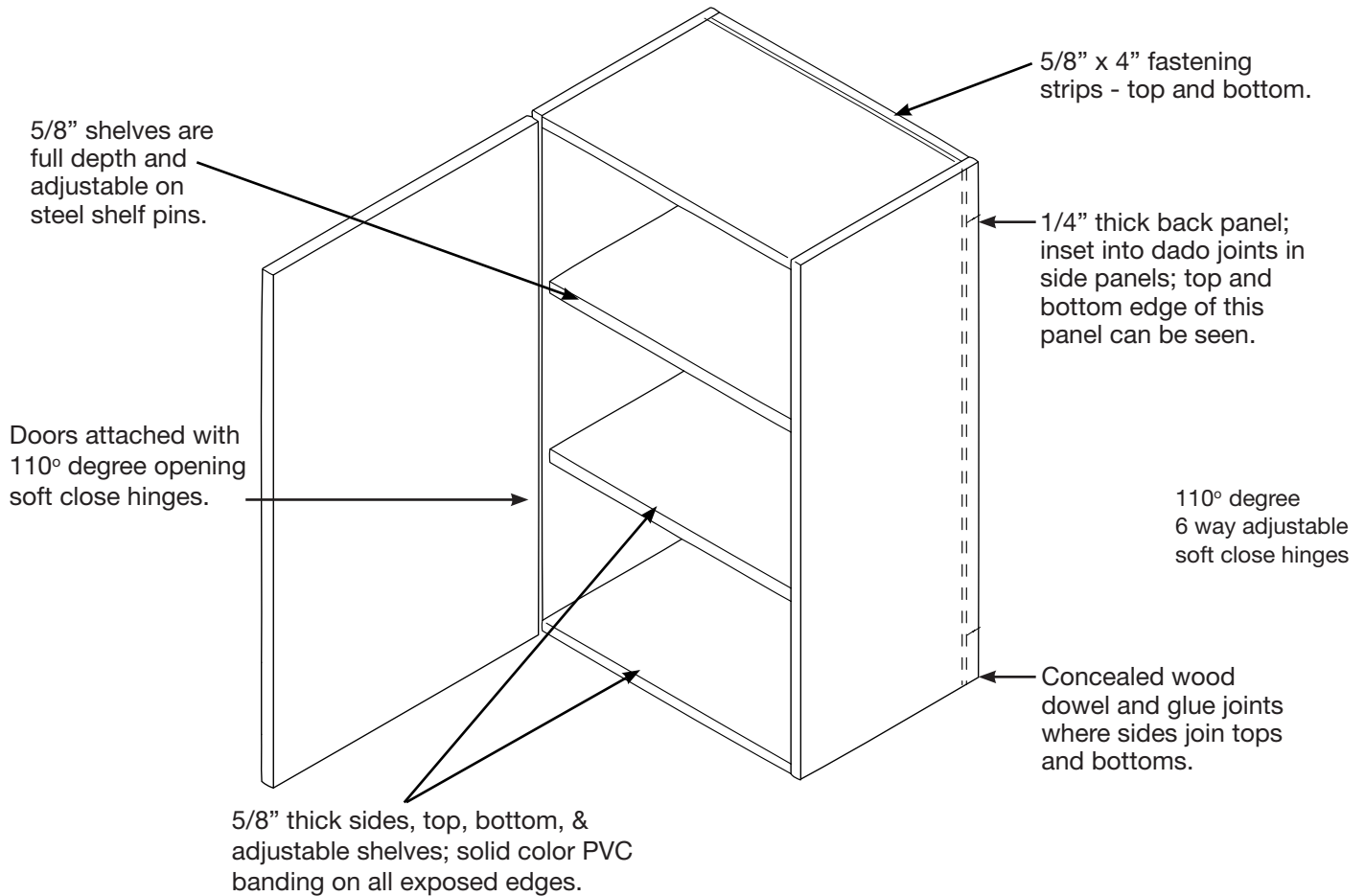
WALL CABINETS: Standard 12-in depth. Latitude offers an additional standard 15-in depth.

TALL CABINETS: Available in 84, 90, 93, and 96-in heights. 24-in deep with select 12-in deep options.

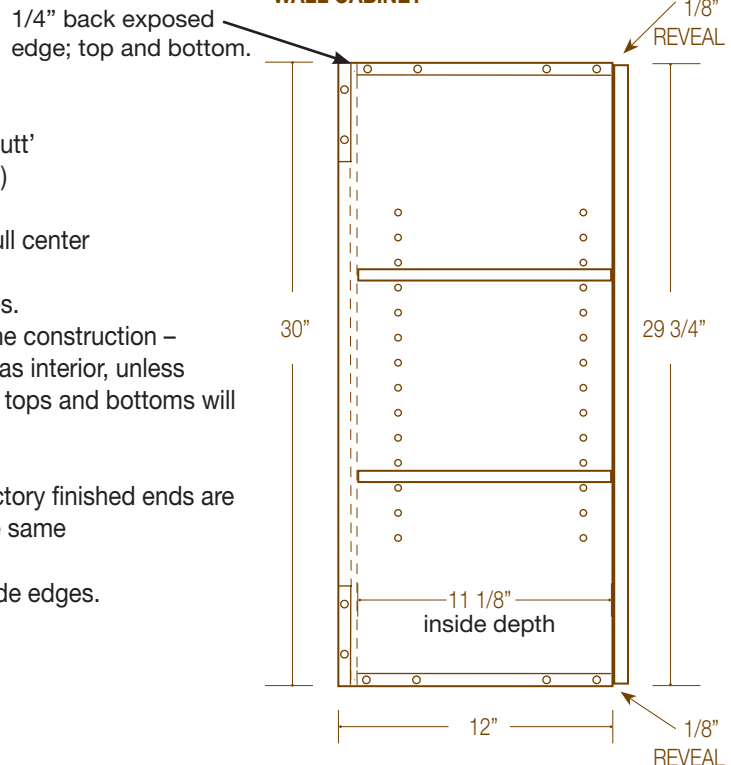
VANITY CABINETS: Available in 32-in and 34 1/2-in heights (*not including countertop*). Both are 21-in deep.

Cabinet sizing uses a 3-in increment system for width, height, and depth. Latitude Cabinets offers select base and wall cabinets in 1 1/2-in width increments to allow for design flexibility. Height, width, and depth reductions are also available on most cabinets.

WALL CABINET CONSTRUCTION



SIDE VIEW OF A TYPICAL 30" TALL WALL CABINET



NOTES:

- Wall cabinets 9-21" wide will have single width door; specify hinge direction.
- Wall cabinets 24" and wider will have 2 equal width 'butt' doors; reveal or gap between doors will be 1/8" (3mm) once field adjusted.
- Wall cabinets 39" and wider will include a 5/8" thick full center partition drilled for adjustable shelves on each side.
- Doors on 42" tall wall cabinets will receive three hinges.
- Standard white, and optional gray and maple melamine construction – exterior sides of wall cabinets will be same melamine as interior, unless factory finished ends are specified; exterior surface of tops and bottoms will be same as interior
- Birch plywood option details - exterior sides of wall cabinets will be clear coated Birch plywood unless factory finished ends are specified; exterior surface of tops and bottoms will be same finished Birch plywood.
- Door reveals – 1/8" at top and bottom; 1/16" on outside edges.
- 12" - 18" heights will have no shelves.
- 21" - 27" heights will have 1 shelf.
- 30" - 39" heights will have 2 shelves.
- 42" height will have 3 shelves.
- minimum depth is 4"

WALL CABINETS

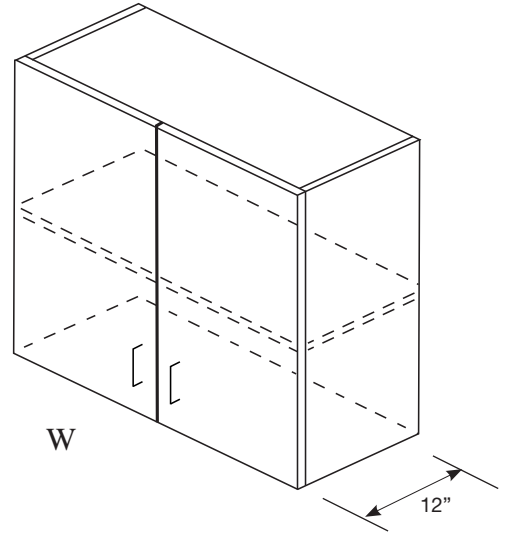
WALL CABINETS

12", 15", 18" HIGH (No SHELVES) | 21", 24", 27" HIGH (1 SHELF)

- 12" - 21" wide wall cabinets will have a single door, specify hinge left or right.
- 24" - 42" wide wall cabinets will have double doors of equal width.
- 39" - 42" wide wall cabinets will have a 5/8" thick vertical center partition with an independently adjustable shelf / shelves on each side

Modifications:

- o Minimum Depth: 4"
- o Minimum Width: 9"
- o Minimum Height: 10"



12" HIGH	LIST PRICE	COLUMN
W1212		
W13.512		
W1512		
W16.512		
W1812		
W19.512		
W2112		
W2412		
W2712		
W3012		
W3312		
W3612		
W3912		
W4212		

15" HIGH	LIST PRICE	COLUMN
W1215		
W13.515		
W1515		
W16.515		
W1815		
W19.515		
W2115		
W2415		
W2715		
W3015		
W3315		
W3615		
W3915		
W4215		

18" HIGH	LIST PRICE	COLUMN
W1218		
W13.518		
W1518		
W16.518		
W1818		
W19.518		
W2118		
W2418		
W2718		
W3018		
W3318		
W3618		
W3918		
W4218		

21" HIGH	LIST PRICE	COLUMN
W1221		
W13.521		
W1521		
W16.521		
W1821		
W19.521		
W2121		
W2421		
W2721		
W3021		
W3321		
W3621		
W3921		
W4221		

24" HIGH	LIST PRICE	COLUMN
W1224		
W13.524		
W1524		
W16.524		
W1824		
W19.524		
W2124		
W2424		
W2724		
W3024		
W3324		
W3624		
W3924		
W4224		

27" HIGH	LIST PRICE	COLUMN
W1227		
W13.527		
W1527		
W16.527		
W1827		
W19.527		
W2127		
W2427		
W2727		
W3027		
W3327		
W3627		
W3927		
W4227		

WALL CABINETS

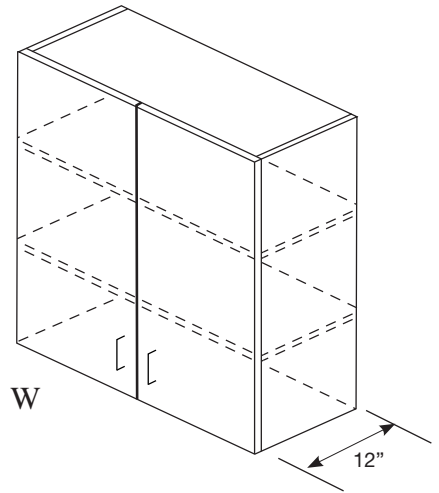
WALL CABINETS

30", 33", 36", 39" HIGH (2 SHELVES) | 42" HIGH (3 SHELVES)

- 12" - 21" wide wall cabinets will have a single door, specify hinge left or right.
- 24" - 42" wide wall cabinets will have double doors of equal width.
- 39" - 42" wide wall cabinets will have a 5/8" thick vertical center partition with an independently adjustable shelf / shelves on each side.

Modifications:

- o Minimum Depth: 4"
- o Minimum Width: 9"
- o Minimum Height: 10"



30" HIGH	LIST PRICE	COLUMN
W0930		
W1230		
W13.530		
W1530		
W16.530		
W1830		
W19.530		
W2130		
W2430		
W2730		
W3030		
W3330		
W3630		
W3930		
W4230		

33" HIGH	LIST PRICE	COLUMN
W0933		
W1233		
W13.533		
W1533		
W16.533		
W1833		
W19.533		
W2133		
W2433		
W2733		
W3033		
W3333		
W3633		
W3933		
W4233		

36" HIGH	LIST PRICE	COLUMN
W0936		
W1236		
W13.536		
W1536		
W16.536		
W1836		
W19.536		
W2136		
W2436		
W2736		
W3036		
W3336		
W3636		
W3936		
W4236		

39" HIGH	LIST PRICE	COLUMN
W0939		
W1239		
W13.539		
W1539		
W16.539		
W1839		
W19.539		
W2139		
W2439		
W2739		
W3039		
W3339		
W3639		
W3939		
W4239		

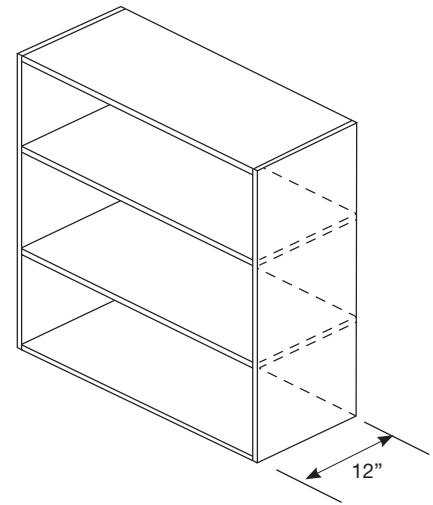
42" HIGH	LIST PRICE	COLUMN
W0942		
W1242		
W13.542		
W1542		
W16.542		
W1842		
W19.542		
W2142		
W2442		
W2742		
W3042		
W3342		
W3642		
W3942		
W4242		

WALL CABINETS

WALL OPEN FINISHED INTERIOR

12", 15", 18" HIGH (No SHELVES) | 21", 24", 27" HIGH (1 SHELF)
 30", 33", 36", 39" HIGH (2 SHELVES) | 42" HIGH (3 SHELVES)

- Cabinets constructed with 3/4" thick sides, top, bottom, and shelves.
- All interior and exterior surfaces are finished to match.
- Case edge band is real wood veneer 'tape' on wood door orders.
- The A grade side of wood veneers will be placed on the interior side of the cabinet unless a finished end is specified, in which case the A side will be used on the exterior side. There is no additional charge for finished ends on this open cabinet.
- **NOTE: Use open finished interior cabinets to achieve a glass door cabinet with a matching finished interior. See Modification page.**
- Sides and back will have vertical pattern/grain direction in all door styles except Waves, in which case the pattern will be horizontal.



Modifications:

- o Minimum Depth: 4"
- o Minimum Width: 9"
- o Minimum Height: 10"

12" HIGH	LIST PRICE	COLUMN	15" HIGH	LIST PRICE	COLUMN	18" HIGH	LIST PRICE	COLUMN	21" HIGH	LIST PRICE	COLUMN	24" HIGH	LIST PRICE	COLUMN	27" HIGH	LIST PRICE	COLUMN
W01212			W01215			W01218			W01221			W01224			W01227		
W013.512			W013.515			W013.518			W013.521			W013.524			W013.527		
W01512			W01515			W01518			W01521			W01524			W01527		
W016.512			W016.515			W016.518			W016.521			W016.524			W016.527		
W01812			W01815			W01818			W01821			W01824			W01827		
W019.512			W019.515			W019.518			W019.521			W019.524			W019.527		
W02112			W02115			W02118			W02121			W02124			W02127		
W02412			W02415			W02418			W02421			W02424			W02427		
W02712			W02715			W02718			W02721			W02724			W02727		
W03012			W03015			W03018			W03021			W03024			W03027		
W03312			W03315			W03318			W03321			W03324			W03327		
W03612			W03615			W03618			W03621			W03624			W03627		

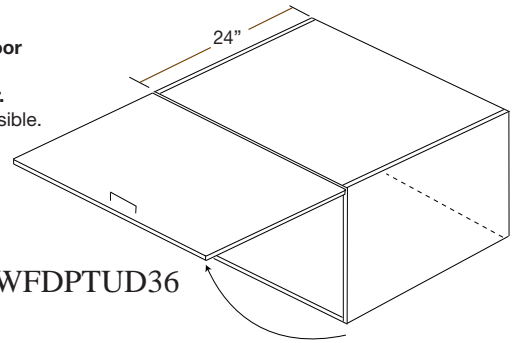
30" HIGH	LIST PRICE	COLUMN	33" HIGH	LIST PRICE	COLUMN	36" HIGH	LIST PRICE	COLUMN	39" HIGH	LIST PRICE	COLUMN	42" HIGH	LIST PRICE	COLUMN
W01230			W01233			W01236			W01239			W01242		
W013.530			W013.533			W013.536			W013.539			W013.542		
W01530			W01533			W01536			W01539			W01542		
W016.530			W016.533			W016.536			W016.539			W016.542		
W01830			W01833			W01836			W01839			W01842		
W019.530			W019.533			W019.536			W019.539			W019.542		
W02130			W02133			W02136			W02139			W02142		
W02430			W02433			W02436			W02439			W02442		
W02730			W02733			W02736			W02739			W02742		
W03030			W03033			W03036			W03039			W03042		
W03330			W03333			W03336			W03339			W03342		
W03630			W03633			W03636			W03639			W03642		

WALL CABINETS

WALL FULL DEPTH TILT UP DOOR

12", 15", 18", 21", 24" HIGH

- Door tilts up to a 105 degree angle. SOFT-CLOSE lifts support opened door.
- Adjustments allow for holding open door in position
- **Be aware of door height in open position and the ability to reach and close. Total height from floor to open door is height to cabinet bottom, plus height of cabinet, plus 4". Example: a 12" height cabinet mounted at 72" off the floor will have an open door height of about 88" off finished floor.**
- 39 - 48" Width will have 5/8" center vertical partition for cabinet structural support. Partition will be visible.
- 21"-24" will include one adjustable shelf.
- **Wall Full Depth Partition Tilt Up Door** is a 36" width including a center 5/8" thick partition for additional strength.



Modifications:

- Minimum Depth: 15 1/4"
- Minimum Width: 12"
- Minimum Height: 10"

WFDTUD & WFDPTUD36

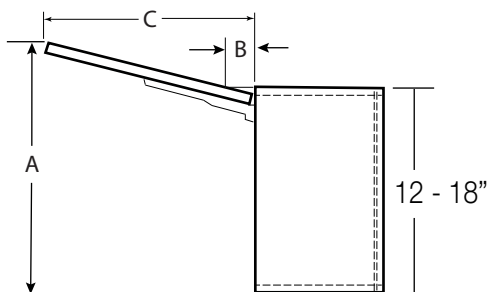
12" HIGH	LIST PRICE	COLUMN
WFDTUD301224		
WFDTUD331224		
WFDTUD361224		
WFDTUD391224		
WFDTUD421224		
WFDTUD481224		
WFDPTUD361224		

15" HIGH	LIST PRICE	COLUMN
WFDTUD301524		
WFDTUD331524		
WFDTUD361524		
WFDTUD391524		
WFDTUD421524		
WFDTUD481524		
WFDPTUD361524		

18" HIGH	LIST PRICE	COLUMN
WFDTUD301824		
WFDTUD331824		
WFDTUD361824		
WFDTUD391824		
WFDTUD421824		
WFDTUD481824		
WFDPTUD361824		

21" HIGH	LIST PRICE	COLUMN
WFDTUD302124		
WFDTUD332124		
WFDTUD362124		
WFDTUD392124		
WFDTUD422124		
WFDTUD482124		
WFDPTUD362124		

24" HIGH	LIST PRICE	COLUMN
WFDTUD302444		
WFDTUD332444		
WFDTUD362424		
WFDTUD392444		
WFDTUD422424		
WFDTUD482424		
WFDPTUD362424		



SIDE VIEW

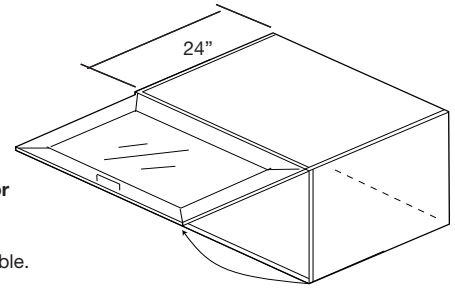
Clearance Chart			
Cabinet Ht.	A	B	C
12"	15 1/4"	2 1/4"	12 1/2"
15"	19 1/8"	2 1/4"	15 1/2"
18"	23"	2 1/4"	18 1/2"
21"	27"	2 1/4"	21 1/2"
24"	31"	2 1/4"	24 1/2"

NOTE: These dimensions apply to all Wall Tilt Up Door Cabinets. B is the distance for clearance from top cabinet edge to door surface in open position.

WALL CABINETS

WALL FULL DEPTH TILT UP METAL DOOR 12", 15", 18", 21", 24" HIGH

- **Satin Aluminum door with Acid Etched Glass included**
- Door tilts up to a 105 degree angle. SOFT-CLOSE lifts support opened door.
- Adjustments allow for holding open door in position
- **Be aware of door height in open position and the ability to reach and close. Total height from floor to open door is height to cabinet bottom, plus height of cabinet, plus 4". Example: a 12" height cabinet mounted at 72" off the floor will have an open door height of about 88" off finished floor.**
- 39 - 48" Width will have 5/8" center vertical partition for cabinet structural support. Partition will be visible.
- **Wall Full Depth Partition Tilt Metal Door** is a 36" width including a center 5/8" thick partition for additional strength. Note: Partition will show slightly through the acid etched glass.



WFDTMD & WFDPTMD36

12" HIGH	LIST PRICE	COLUMN
WFDTMD301224		
WFDTMD361224		
WFDTMD421224		
WFDTMD481224		
WFDPTMD361224		

15" HIGH	LIST PRICE	COLUMN
WFDTMD301524		
WFDTMD361524		
WFDTMD421524		
WFDTMD481524		
WFDPTMD361524		

18" HIGH	LIST PRICE	COLUMN
WFDTMD301824		
WFDTMD361824		
WFDTMD421824		
WFDTMD481824		
WFDPTMD361824		

21" HIGH	LIST PRICE	COLUMN
WFDTMD302124		
WFDTMD362124		
WFDTMD422124		
WFDTMD482124		
WFDPTMD362124		

24" HIGH	LIST PRICE	COLUMN
WFDTMD302444		
WFDTMD362424		
WFDTMD422424		
WFDTMD482424		
WFDPTMD362424		

Modifications:

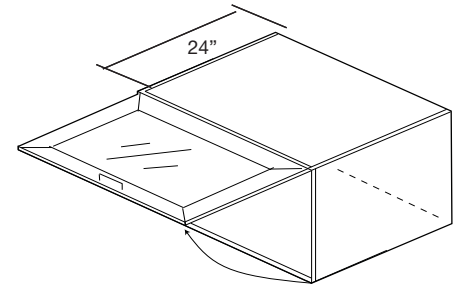
- Minimum Depth: 15 1/4"
- Minimum Width: 12"
- Minimum Height: 10"

WALL FULL DEPTH FINISHED TILT UP METAL DOOR 12", 15", 18", 21", 24" HIGH

- Same wall full depth cabinet tilt metal door as previous page , but includes finished interior and exterior
- 3/4" thick box construction

Modifications:

- Minimum Depth: 15 1/4"
- Minimum Width: 12"
- Minimum Height: 10"



WFDFTMD & WFDFTMD36

12" HIGH	LIST PRICE	COLUMN
WFDFTMD301224		
WFDFTMD361224		
WFDFTMD421224		
WFDFTMD481224		
WFDFTMD361224		

15" HIGH	LIST PRICE	COLUMN
WFDFTMD301524		
WFDFTMD361524		
WFDFTMD421524		
WFDFTMD481524		
WFDFTMD361524		

18" HIGH	LIST PRICE	COLUMN
WFDFTMD301824		
WFDFTMD361824		
WFDFTMD421824		
WFDFTMD481824		
WFDFTMD361824		

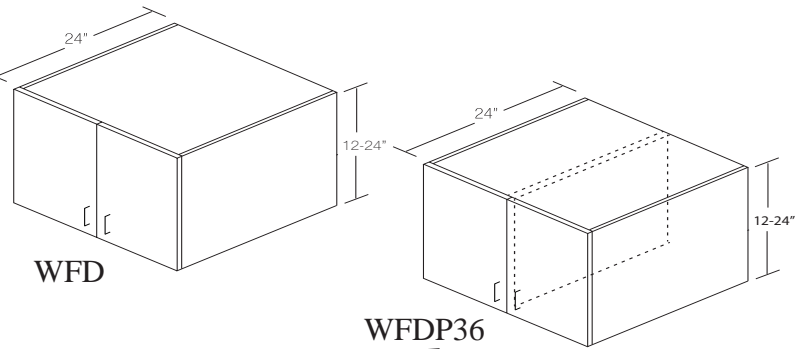
21" HIGH	LIST PRICE	COLUMN
WFDFTMD302124		
WFDFTMD362124		
WFDFTMD422124		
WFDFTMD482124		
WFDFTMD362124		

24" HIGH	LIST PRICE	COLUMN
WFDFTMD302444		
WFDFTMD362424		
WFDFTMD422424		
WFDFTMD482424		
WFDFTMD362424		

WALL CABINETS

WALL FULL DEPTH | WALL FULL DEPTH PARTITION 12", 15", 18" (No Shelves) | 21", 24" High (1 Shelf)

- 21" & 24" high will have 1 adjustable shelf
- 30" - 36" widths have no center partition; 39"-48" wide wall full depth cabinets will include a 5/8" thick vertical center partition. See WFDP36 for 36" width with partition.
- **DESIGN TIP:** If heavy loads are anticipated in this cabinet, consider adding a light valance molding across the bottom for additional support. Check refer height clearance.



Modifications:

- **Minimum Depth: 15 1/4"**
- **Minimum Width: 12"**
- **Minimum Height: 10"**

- WFDP36 is a 36" width including a center 5/8" thick partition
- This provides additional bottom shelf strength for the most common width of full depth over refrigerator cabinets.

12" HIGH	LIST PRICE	COLUMN A	15" HIGH	LIST PRICE	COLUMN A	18" HIGH	LIST PRICE	COLUMN A	21" HIGH	LIST PRICE	COLUMN A	24" HIGH	LIST PRICE	COLUMN A
WFD301224			WFD301524			WFD301824			WFD302124			WFD302424		
WFD331224			WFD331524			WFD331824			WFD332124			WFD332424		
WFD361224			WFD361524			WFD361824			WFD362124			WFD362424		
WFD391224			WFD391524			WFD391824			WFD392124			WFD392424		
WFD421224			WFD421524			WFD421824			WFD422124			WFD422424		
WFD481224			WFD481524			WFD481824			WFD482124			WFD482424		
WFDP361224			WFDP361524			WFDP361824			WFDP362124			WFDP362424		

WALL BLIND CORNER 30", 33", 36", 39" (2 Shelves) 42" High (3 Shelves)

- NOTE: Designed to fit in a 27", 30", 33", or 36" wide space.
- Pull and install 3" from corner. (*Example: WBC3630 cabinet is actually 33" wide, but is designed to fit in a 35" - 37 1/2" wide space.)

24" HIGH	LIST PRICE	COLUMN A
WBC2724		
WBC3024		
WBC3324		
WBC3624		

30" HIGH	LIST PRICE	COLUMN A
WBC2730		
WBC3030		
WBC3330		
WBC3630		

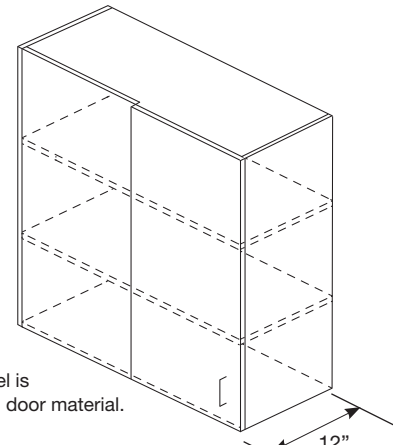
Modifications:

- **Minimum Depth: 4"**
- **Minimum Width: N/A**
- **Minimum Height: 10"**

WBC

Hinge L shown.

- NOTE: Blind panel is finished to match door material.

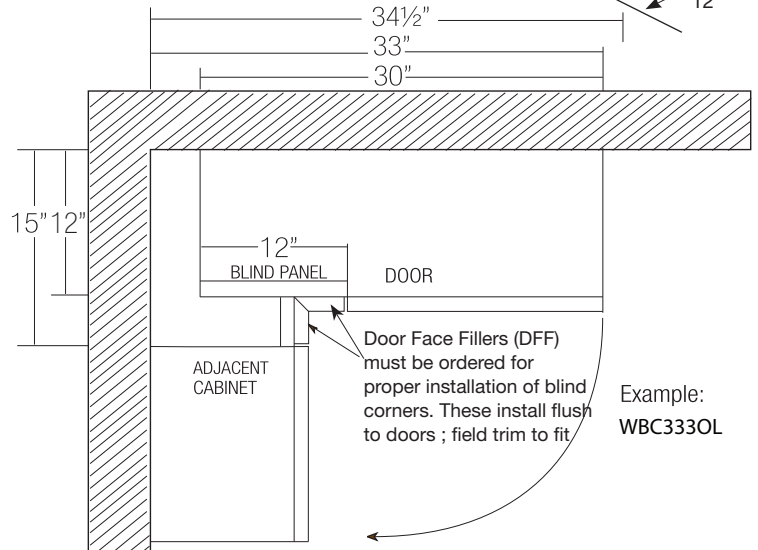


33" HIGH	LIST PRICE	COLUMN A
WBC2733		
WBC3033		
WBC3333		
WBC3633		

36" HIGH	LIST PRICE	COLUMN A
WBC2736		
WBC3036		
WBC3336		
WBC3636		

39" HIGH	LIST PRICE	COLUMN A
WBC2739		
WBC3039		
WBC3339		
WBC3639		

42" HIGH	LIST PRICE	COLUMN A
WBC2742		
WBC3042		
WBC3342		
WBC3642		



Door Face Fillers (DFF) must be ordered for proper installation of blind corners. These install flush to doors; field trim to fit

Example: WBC3330L

Cabinet	Install Range	Door Size	Actual Cabinet Width
27"	25 1/2" - 28 1/2"	12"	24"
30"	28 1/2" - 31 1/2"	15"	27"
33"	31 1/2" - 34 1/2"	18"	30"
36"	34 1/2" - 37 1/2"	21"	33"

PAGE INTENTIONALLY LEFT BLANK

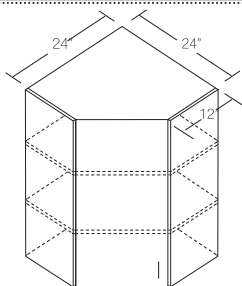
WALL CABINETS

WALL ANGLE CORNER

24" WIDE

- 30"-39" High = 2 Shelves
- 42" High = 3 Shelves
- Specify hinge left or right.

WAC



NOTE:
No fillers required on adjacent cabinets.

Modifications:

- Minimum Depth: N/A
- Minimum Width: N/A
- Minimum Height: 10"

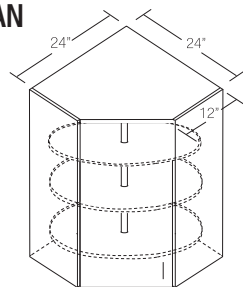
24" WIDE	LIST PRICE	COLUMN A
WAC2424		
WAC2430		
WAC2433		
WAC2436		
WAC2439		
WAC2442		

WALL ANGLE CORNER LAZY SUSAN

24" WIDE

WACL

- 30"- 39" High = 2 LS Trays
- 42" High = 3 LS Trays
- Specify hinge left or right.
- Includes 18" diameter white polymer revolving trays on a post.



NOTE:
No fillers required on adjacent cabinets.

Modifications:

- Minimum Depth: N/A
- Minimum Width: N/A
- Minimum Height: 30"

24" WIDE	LIST PRICE	COLUMN A
WACL2430		
WACL2433		
WACL2436		
WACL2439		
WACL2442		

WALL ANGLE CORNER OPEN

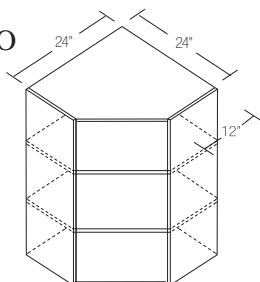
24" WIDE

- Cabinets constructed with 3/4" thick sides, top, bottom, and shelves.
- All interior and exterior surfaces are finished to match.
- Case edge band is real wood veneer 'tape' on wood door orders.
- There is no additional charge for finished ends on this open cabinet; they are included.

NOTE:

No fillers required on adjacent cabinets.

WACO



- NOTE: Use this open finished interior cabinet for corner cabinet with glass door, see Modifications.

Modifications:

- Minimum Depth: N/A
- Minimum Width: N/A
- Minimum Height: 10"

24" WIDE	LIST PRICE	COLUMN A
WACO2424		
WACO2430		
WACO2433		
WACO2436		
WACO2439		
WACO2442		

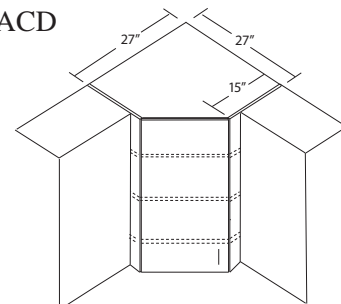
WALL ANGLE CORNER DEEP 27" WIDE x 15" DEEP

IMPORTANT NOTES:

WACD cabinet is engineered to be a greater depth than adjacent wall cabinets. The door width provides the correct reveal and eliminates seeing into the cabinet interior.

IF design requires a 15" deep wall angle corner, and the same depth for surrounding cabinets, use the WAC-15 cabinet shown in Wall Cabinets 15 deep.

WACD



- NOTE: Remember to add finished ends, they will show

NOTE:
No fillers required on adjacent cabinets.

27" WIDE 15" DEEP	LIST PRICE	COLUMN A
WACD2724		
WACD2730		
WACD2733		
WACD2736		
WACD2739		
WACD2742		

Modifications:

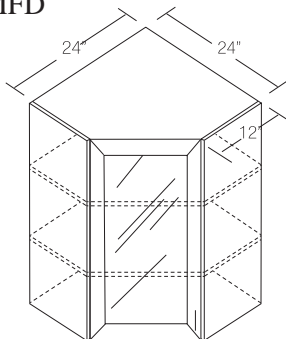
- Minimum Depth: N/A
- Minimum Width: N/A
- Minimum Height: 10"

WALL ANGLE CORNER METAL DOOR

24" WIDE

WACMFD

- 30"-39" High = 2 Shelves
- 42" High = 3 Shelves
- Specify hinge left or right.
- **Satin Aluminum Door with Acid Etched glass included.**



Modifications:

- Minimum Depth: N/A
- Minimum Width: N/A
- Minimum Height: 10"

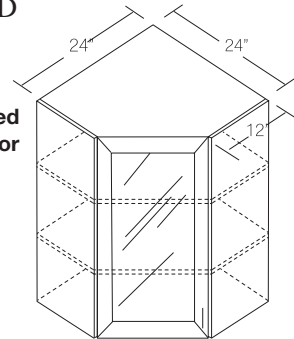
24" WIDE	LIST PRICE	COLUMN
WACMD2424		
WACMD2430		
WACMD2433		
WACMD2436		
WACMD2439		
WACMD2442		

WALL ANGLE CORNER FINISHED METAL DOOR

24" WIDE

WACFMFD

- 30"-39" High = 2 Shelves
- 42" High = 3 Shelves
- Specify hinge left or right.
- **Satin Aluminum Door with Acid Etched glass included. Finished cabinet interior and exterior included ; 3/4" box construction.**



Modifications:

- Minimum Depth: N/A
- Minimum Width: N/A
- Minimum Height: 10"

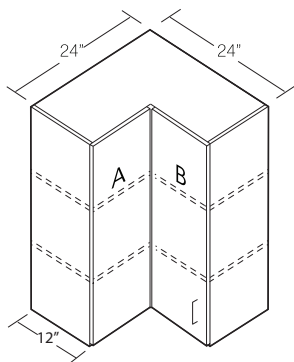
24" WIDE	LIST PRICE	COLUMN
WACFMD2424		
WACFMD2430		
WACFMD2433		
WACFMD2436		
WACFMD2439		
WACFMD2442		

WALL CABINETS

WALL SQUARE CORNER

24" WIDE

- 24" = 1 shelf; 30"- 39" High = 2 Shelves
- 42" High = 3 Shelves
- 'A' door is attached to cabinet with 165° opening hinges.
- 'B' door is attached to 'A' door.
- Soft close hinges not available.
- NOTE: Do not recommend glass door option for WSC as hinges will be visible.



WSC
Hinge L shown.

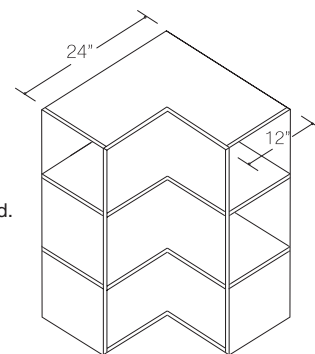
Modifications:

- Minimum Depth: N/A
- Minimum Width: N/A
- Minimum Height: 10"

24" WIDE	LIST PRICE	COLUMN A
WSC2424		
WSC2430		
WSC2433		
WSC2436		
WSC2439		
WSC2442		

NOTE:
No fillers required on adjacent cabinets.
No depth decrease mod.

WALL SQUARE CORNER OPEN



WSCO

Modifications:

- Minimum Depth: N/A
- Minimum Width: N/A
- Minimum Height: 10"

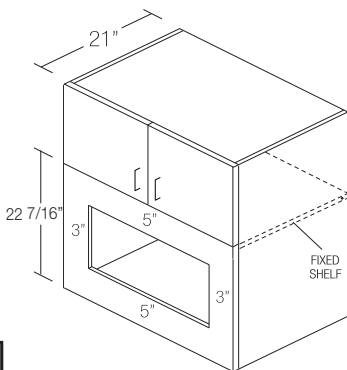
24" WIDE	LIST PRICE	COLUMN
WSCO2424		
WSCO2430		
WSCO2433		
WSCO2436		
WSCO2439		
WSCO2442		

NOTE:
No fillers required on adjacent cabinets.
No depth decrease mod.

WALL MICROWAVE BUILT-IN

21" DEEP

- Cabinet is designed for built-in microwaves with trim kits.
- One loose shelf with cleats is shipped with this cabinet for installation of microwave.
- Trim microwave panel opening on site as needed.



WMB

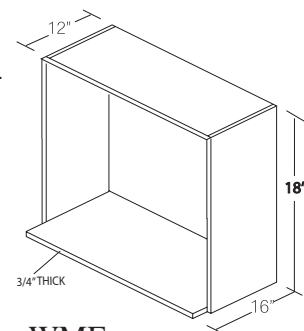
Modifications:

- Minimum Depth: 12"
- Minimum Width: 24"
- Minimum Height: 33"

21" DEEP	LIST PRICE	COLUMN A
WMB2736		
WMB3036		
WMB3336		
WMB2739		
WMB3039		
WMB3339		
WMB2742		
WMB3042		
WMB3342		

WALL MICROWAVE FINISHED BOX

- Designed to install under a 12" deep wall cabinet.
- From bottom of the WM cabinet to counter top should be no more than 18".
- **3/4" material; finished interior and exterior included.**
- On paint finish door orders, WM will be matching paint.
- On Laminate door orders WM will be matching laminate and box edge band will match door edge band.
- On white foil door orders, WM will be white laminate.
- Sides and back will have vertical pattern/grain direction in all door styles except Waves, in which case the pattern will be horizontal.



WMF

Shelf will reduce in depth at same increment.

Modifications:

- Minimum Depth: 10"
- Minimum Width: 18"
- Minimum Height: 15"

18" HIGH	LIST PRICE	COLUMN B
WMF2418		
WMF2718		
WMF3018		

WALL CABINETS

WALL TILT UP DOOR 12", 15", 18" HIGH

- Door tilts up to a 105 degree angle.
- SOFT-CLOSE lifts support opened door. Adjustments allow for holding open door in position
- Recommended top of cabinet be at 78" or less from floor to assure door can be reached in open position.
- 39 - 48" Widths will have 5/8" center vertical partition for cabinet structural support.
- No adjustable shelves

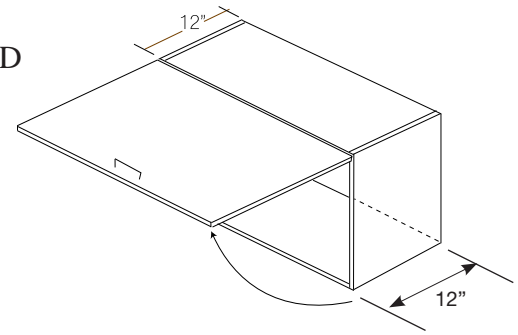
Modifications:

- o **Minimum Depth: 10"**
- o **Minimum Width: 15"**
- o **Minimum Height: 10"**

DESIGN TIP:

For a 'no-handle' design, and easy access opening; add the recessed bottom modification. See Modifications for details.

WTUD



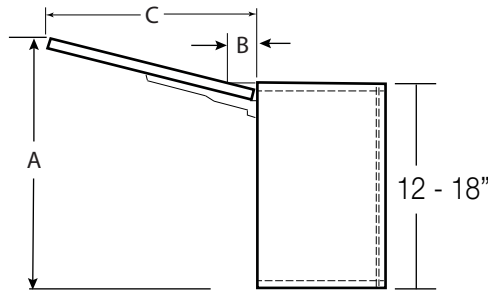
NOTES:

- Stile and Rail constructed door styles will have one center panel with no center stile.
- Modify to Frame A glass frame door (M-FD) is allowed. See Modifications. Be aware that lift mechanism hardware will show, and cabinet interior is box material, not finished to match.

12" HIGH	LIST PRICE	COLUMN A
WTUD1812		
WTUD2112		
WTUD2412		
WTUD2712		
WTUD3012		
WTUD3312		
WTUD3612		
WTUD3912		
WTUD4212		
WTUD4512		
WTUD4812		

15" HIGH	LIST PRICE	COLUMN A
WTUD1815		
WTUD2115		
WTUD2415		
WTUD2715		
WTUD3015		
WTUD3315		
WTUD3615		
WTUD3915		
WTUD4215		
WTUD4515		
WTUD4815		

18" HIGH	LIST PRICE	COLUMN A
WTUD1818	561	
WTUD2118	571	
WTUD2418	589	
WTUD2718	604	
WTUD3018	619	
WTUD3318	629	
WTUD3618	646	
WTUD3918	680	
WTUD4218	684	
WTUD 4518	710	
WTUD 4818	741	



SIDE VIEW

Clearance Chart

Cabinet Ht.	A	B	C
12"	15 1/4"	2 1/4"	12 1/2"
15"	19 1/8"	2 1/4"	15 1/2"
18"	23"	2 1/4"	18 1/2"

NOTE: These dimensions apply to all Wall Tilt Up Door Cabinets. B is the distance for clearance from top cabinet edge to door surface in open position.

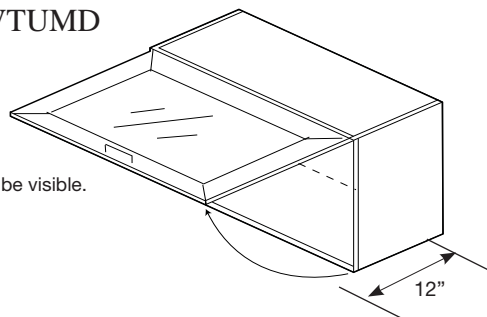
WALL CABINETS

WALL TILT UP METAL FRAME DOOR

12", 15", 18" High

- **Satin Aluminum door with Acid Etched Glass included**
- Door tilts up to a 105 degree angle. SOFT-CLOSE lifts support opened door.
- Adjustments allow for holding open door in position
- Recommended top of cabinet be at 78" or less from floor to assure door can be reached in open position.
- 39" - 48" Width will have 5/8" center vertical partition for cabinet structural support. Partition will be visible.

WTUMD



Modifications:

- o **Minimum Depth: 10"**
- o **Minimum Width: 15"**
- o **Minimum Height: 10"**

DESIGN TIP:

For a no handle look, and easy access opening; add the recessed bottom modification. See Modifications for details.

12" HIGH	LIST PRICE	COLUMN
WTUMD1812		
WTUMD2112		
WTUMD2412		
WTUMD2712		
WTUMD3012		
WTUMD3312		
WTUMD3612		
WTUMD3912		
WTUMD4212		
WTUMD 4512		
WTUMD 4812		

15" HIGH	LIST PRICE	COLUMN
WTUMD1815		
WTUMD2115		
WTUMD2415		
WTUMD2715		
WTUMD3015		
WTUMD3315		
WTUMD3615		
WTUMD3915		
WTUMD4215		
WTUMD4515		
WTUMD4815		

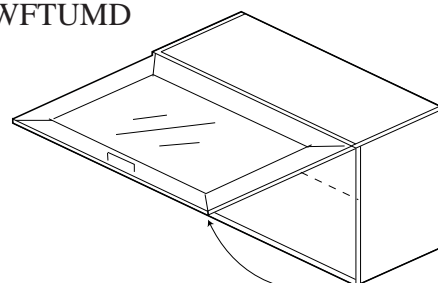
18" HIGH	LIST PRICE	COLUMN
WTUMD1818		
WTUMD2118		
WTUMD2418		
WTUMD2718		
WTUMD3018		
WTUMD3318		
WTUMD3618		
WTUMD3918		
WTUMD4218		
WTUMD4518		
WTUMD4818		

WALL FINISHED TILT UP METAL FRAME DOOR

12", 15", 18" High

- **Same cabinet as above, but includes a finished interior and exterior; 3/4" construction**
- Interior and exterior will match other finished material on same order
- Edge banding will match same material and color
- 39" - 48" widths will have 3/4" thick vertical center partition for cabinet structural support. Partition will be visible.

WFTUMD



finished interior and exterior included

Modifications:

- o **Minimum Depth: 10"**
- o **Minimum Width: 15"**
- o **Minimum Height: 10"**

12" HIGH	LIST PRICE	COLUMN
WFTUMD1812		
WFTUMD2112		
WFTUMD2412		
WFTUMD2712		
WFTUMD3012		
WFTUMD3312		
WFTUMD3612		
WFTUMD3912		
WFTUMD4212		
WFTUMD 4512		
WFTUMD 4812		

15" HIGH	LIST PRICE	COLUMN
WFTUMD1815		
WFTUMD2115		
WFTUMD2415		
WFTUMD2715		
WFTUMD3015		
WFTUMD3315		
WFTUMD3615		
WFTUMD3915		
WFTUMD4215		
WFTUMD4515		
WFTUMD4815		

18" HIGH	LIST PRICE	COLUMN
WFTUMD1818		
WFTUMD2118		
WFTUMD2418		
WFTUMD2718		
WFTUMD3018		
WFTUMD3318		
WFTUMD3618		
WFTUMD3918		
WFTUMD4218		
WFTUMD4518		
WFTUMD4818		

WALL CABINETS

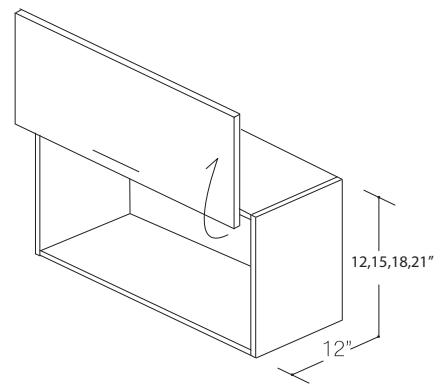
WALL LIFT UP DOOR 12", 15", 18", 21" HIGH

- Door pulls out and then lifts up staying in the same vertical plane.
- Stops in place in front of cabinet face above.
- Allows full access to cabinet interior.
- 12"-18" high no shelving, 21" height includes one adjustable shelf
39" - 48" widths will have a 5/8" thick vertical center partition for cabinet structural support.
One adjustable shelf on each side of partition for the 21" height.

Modifications:
o Minimum Depth: 10"
o Minimum Width: 15"
o Minimum Height: 10"

DESIGN TIP:
For a no handle look, and easy access opening;
add the recessed bottom modification.
See Modifications for details.

WLUD

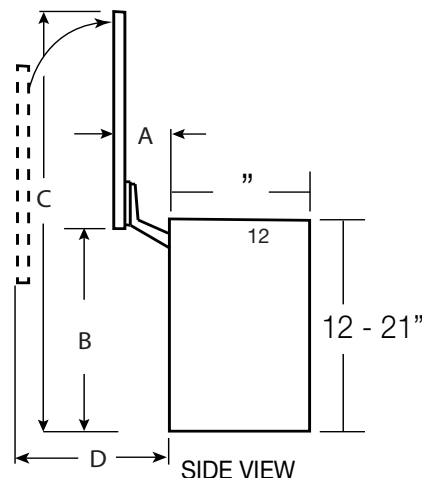


NOTES:

- Stile and Rail constructed door styles will have one center panel with no center stile.
- Modify to Frame A glass frame door (M-FD) is allowed. See Modifications. Be aware that lift mechanism hardware will be visible and cabinet interior is box material, not finished to match.

12" HIGH	LIST PRICE	COLUMN A
WLUD1812		
WLUD2112		
WLUD2412		
WLUD2712		
WLUD3012		
WLUD3312		
WLUD3612		
WLUD3912		
WLUD4212		
WLUD 4512		
WLUD 4812		

15" HIGH	LIST PRICE	COLUMN A
WLUD1815		
WLUD2115		
WLUD2415		
WLUD2715		
WLUD3015		
WLUD3315		
WLUD3615		
WLUD3915		
WLUD4215		
WLUD 4515		
WLUD 4815		



SIDE VIEW
NOTE: D dimension is max distance door travels from face edge of cabinet box

18" HIGH	LIST PRICE	COLUMN A
WLUD1818		
WLUD2118		
WLUD2418		
WLUD2718		
WLUD3018		
WLUD3318		
WLUD3618		
WLUD3918		
WLUD4218		
WLUD 4518		
WLUD 4818		

21" HIGH	LIST PRICE	COLUMN A
WLUD1821		
WLUD2121		
WLUD2421		
WLUD2721		
WLUD3021		
WLUD3321		
WLUD3621		
WLUD3921		
WLUD4221		
WLUD 4521		
WLUD 4821		

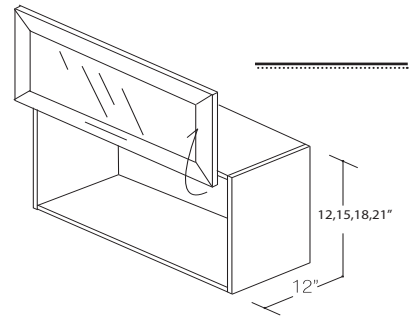
Clearance Chart				
Cabinet Ht.	A	B	C	D
12"	5 1/4 "	10"	20"	7"
15"	6 1/2"	13 1/2"	27"	9"
18"	7 3/4"	17"	34"	11"
21"	9"	20 1/2"	41"	13"

NOTE: These dimensions apply to all Wall Lift Up Door Cabinets: WLUD, WLUMD, WFLUMD

WALL CABINETS

WALL LIFT UP METAL DOOR 12", 15", 18", 21" High

WLUMD



- **Satin Aluminum Door with Acid Etched glass included.**
Door pulls out and then lifts up staying in the same vertical plane.
- Stops in place in front of cabinet face above.
- Allows full access to cabinet interior.
- 12"-18" high no shelving, 21" height includes one adjustable shelf
- 39" - 48" widths will have a 5/8" thick vertical center partition for cabinet structural support. Vertical partition will be visible.

Modifications:

- **Minimum Depth: 10"**
- **Minimum Width: 15"**
- **Minimum Height: 10"**

12" HIGH	LIST PRICE	COLUMN
WLUMD1812		
WLUMD2112		
WLUMD2412		
WLUMD2712		
WLUMD3012		
WLUMD3312		
WLUMD3612		
WLUMD3912		
WLUMD4212		
WLUMD 4512		
WLUMD 4812		

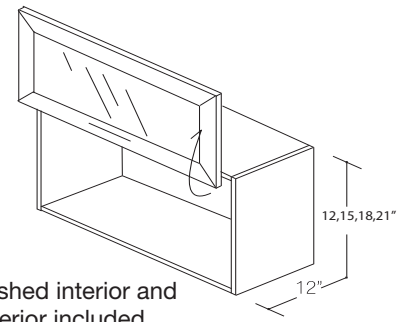
15" HIGH	LIST PRICE	COLUMN
WLUMD1815		
WLUMD2115		
WLUMD2415		
WLUMD2715		
WLUMD3015		
WLUMD3315		
WLUMD3615		
WLUMD3915		
WLUMD4215		
WLUMD 4515		
WLUMD 4815		

18" HIGH	LIST PRICE	COLUMN
WLUMD1818		
WLUMD2118		
WLUMD2418		
WLUMD2718		
WLUMD3018		
WLUMD3318		
WLUMD3618		
WLUMD3918		
WLUMD4218		
WLUMD 4518		
WLUMD 4818		

21" HIGH	LIST PRICE	COLUMN
WLUMD1821		
WLUMD2121		
WLUMD2421		
WLUMD2721		
WLUMD3021		
WLUMD3321		
WLUMD3621		
WLUMD3921		
WLUMD4221		
WLUMD 4521		
WLUMD 4821		

WALL FINISHED LIFT UP METAL DOOR 12", 15", 18", 21" High

WFLUMD



- **Same cabinet as above, but includes a finished interior and exterior; 3/4" construction**
- Interior and exterior will match other finished material on same order
- Edge banding will match same material and color
- 39" - 48" widths will have 3/4" thick vertical center partition for cabinet structural support. Vertical partition will be visible.

Modifications:

- **Minimum Depth: 10"**
- **Minimum Width: 15"**
- **Minimum Height: 10"**

12" HIGH	LIST PRICE	COLUMN
WFLUMD1812		
WFLUMD2112		
WFLUMD2412		
WFLUMD2712		
WFLUMD3012		
WFLUMD3312		
WFLUMD3612		
WFLUMD3912		
WFLUMD4212		
WFLUMD 4512		
WFLUMD 4812		

15" HIGH	LIST PRICE	COLUMN
WFLUMD1815		
WFLUMD2115		
WFLUMD2415		
WFLUMD2715		
WFLUMD3015		
WFLUMD3315		
WFLUMD3615		
WFLUMD3915		
WFLUMD4215		
WFLUMD 4515		
WFLUMD 4815		

18" HIGH	LIST PRICE	COLUMN
WFLUMD1818		
WFLUMD2118		
WFLUMD2418		
WFLUMD2718		
WFLUMD3018		
WFLUMD3318		
WFLUMD3618		
WFLUMD3918		
WFLUMD4218		
WFLUMD 4518		
WFLUMD 4818		

21" HIGH	LIST PRICE	COLUMN
WFLUMD1821		
WFLUMD2121		
WFLUMD2421		
WFLUMD2721		
WFLUMD3021		
WFLUMD3321		
WFLUMD3621		
WFLUMD3921		
WFLUMD4221		
WFLUMD 4521		
WFLUMD 4821		

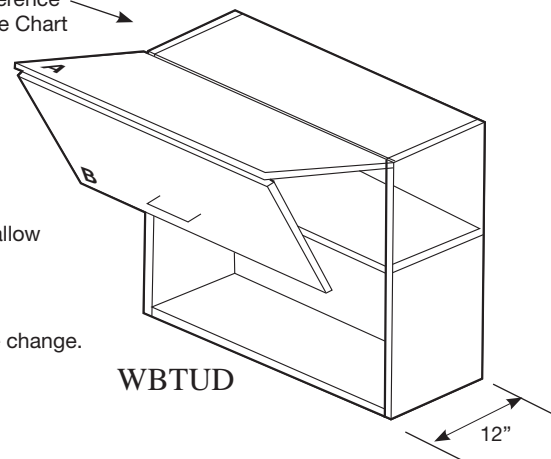
WALL CABINETS

WALL BI-FOLD TILT UP DOOR

24", 27", 30", 33", 36" HIGH

- Provides a contemporary functional approach to wall cabinet storage.
- Top 'A' door is hinged to cabinet.
- Handle to be mounted on bottom rail of 'B' door.
- Second 'B' door is hinged to top door.
- Lift mechanism allows for smooth lift and bi-fold action, plus soft close.
- Doors are out of the way for easy access to storage.
- Includes adjustable shelf / shelves; same specs as standard wall cabinet.
- Note: Consider mounting height & ease of reach when designing with this cabinet; must allow clearance above for full lift motion. Be aware of crown molding interference.
- Note: 39" – 48" widths will have a 5/8" vertical partition in the center of the cabinet. A third lift mechanism may be required on cabinets 39" and wider and taller than 30"; depending upon door weight. Latitude will make determination and factory install; no price change. Mechanism will be mounted on center partition.

Be aware of crown molding interference (See Clearance Chart below)



Modifications:

- o Minimum Depth: 10"
- o Minimum Width: 15"
- o Minimum Height: 21"

DESIGN TIP:

For a no handle look, and easy access opening; add the recessed bottom modification. See Modifications for details.

NOTES:

- Stile and Rail constructed door styles will have one center panel with no center stile in all widths.

24" HEIGHT	LIST PRICE	COLUMN
WBTUD2424		
WBTUD2724		
WBTUD3024		
WBTUD3324		
WBTUD3624		
WBTUD3924		
WBTUD4224		
WBTUD4524		
WBTUD4824		

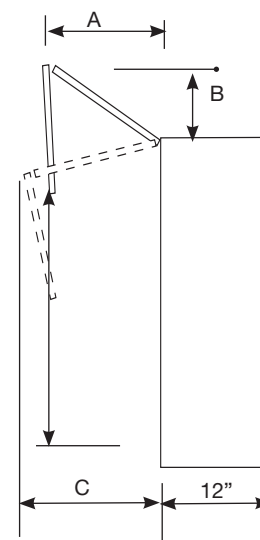
27" HEIGHT	LIST PRICE	COLUMN
WBTUD2427		
WBTUD2727		
WBTUD3027		
WBTUD3327		
WBTUD3627		
WBTUD3927		
WBTUD4227		
WBTUD4527		
WBTUD4827		

30" HEIGHT	LIST PRICE	COLUMN
WBTUD2430		
WBTUD2730		
WBTUD3030		
WBTUD3330		
WBTUD3630		
WBTUD3930		
WBTUD4230		
WBTUD4530		
WBTUD4830		

33" HEIGHT	LIST PRICE	COLUMN
WBTUD2433		
WBTUD2733		
WBTUD3033		
WBTUD3333		
WBTUD3633		
WBTUD3933		
WBTUD4233		
WBTUD4533		
WBTUD4833		

36" HEIGHT	LIST PRICE	COLUMN
WBTUD2436		
WBTUD2736		
WBTUD3036		
WBTUD3336		
WBTUD3636		
WBTUD3936		
WBTUD4236		
WBTUD4536		
WBTUD4836		

Apprx. 3/4 of box height; ample space for full access to cabinet interior



Clearance Chart			
Cabinet Ht.	A	B	C
24"	13"	6 1/4"	
27"	14 1/2"	7"	single door height + 2" = max from cabinet box edge
30"	15 1/4"	7 3/4"	
33"	17 1/4"	8 1/4"	
36"	19"	9"	

NOTE: These dimensions apply to all Wall Bi-Fold Door Cabinets: WBTUD, WBTUMD, WFBTUMD

WALL CABINETS

WALL BI-FOLD TILT UP METAL DOOR

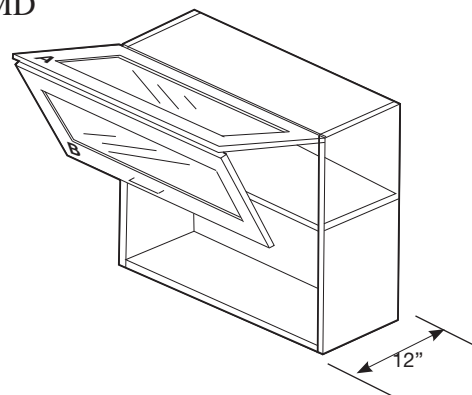
24", 27", 30", 33", 36" High

- Same cabinet as previous page, but includes Satin Aluminum doors with Acid Etched glass
- 39" - 48" widths will include a full height center partition; adjustable shelf (shelves) on each side.
- **Lift mechanism hardware will show slightly through etched glass.**

24" HEIGHT	LIST PRICE	COLUMN	27" HEIGHT	LIST PRICE	COLUMN	30" HEIGHT	LIST PRICE	COLUMN
WBTUMD2424			WBTUMD2427			WBTUMD2430		
WBTUMD2724			WBTUMD2727			WBTUMD2730		
WBTUMD3024			WBTUMD3027			WBTUMD3030		
WBTUMD3324			WBTUMD3327			WBTUMD3330		
WBTUMD3624			WBTUMD3628			WBTUMD3630		
WBTUMD3924			WBTUMD3927			WBTUMD3930		
WBTUM4224			WBTUMD4227			WBTUMD4230		
WBTUMD4524			WBTUMD4527			WBTUMD4530		
WBTUMD4824			WBTUMD4827			WBTUMD4830		

33" HEIGHT	LIST PRICE	COLUMN	36" HEIGHT	LIST PRICE	COLUMN
WBTUMD2433			WBTUMD2436		
WBTUMD2733			WBTUMD2736		
WBTUMD3033			WBTUMD3036		
WBTUMD3333			WBTUMD3336		
WBTUMD3633			WBTUMD3636		
WBTUMD3933			WBTUMD3936		
WBTUMD4233			WBTUMD4236		
WBTUMD4533			WBTUMD4536		
WBTUMD4833			WBTUMD4836		

WBTUMD



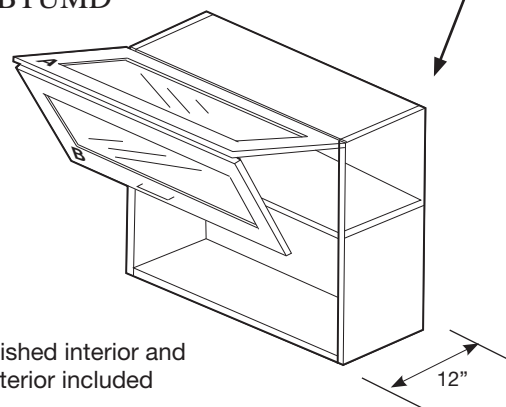
(See same Clearance Chart for WBTUD)

NOTE: A third lift mechanism may be required on cabinets 39" and wider and taller than 30"; depending upon door weight. Latitude will make determination and factory install; no price change. Third mechanism will be mounted on right side in tandem with existing mechanism.

Modifications:

- o Minimum Depth: 10"
- o Minimum Width: 15"
- o Minimum Height: 21"

WFBTUMD



finished interior and exterior included

WALL FINISHED BI-FOLD TILT UP METAL DOOR

- Same cabinet and details as above, but includes a finished interior and exterior; 3/4" construction
- 39"-48" widths will include a full height center partition; adjustable shelf (shelves) on each side.
- Box edge banding will match same material and color
- **Lift mechanism hardware will show slightly through etched glass**

24" HEIGHT	LIST PRICE	COLUMN	27" HEIGHT	LIST PRICE	COLUMN	30" HEIGHT	LIST PRICE	COLUMN	33" HEIGHT	LIST PRICE	COLUMN	36" HEIGHT	LIST PRICE	COLUMN
WFBTUMD2424			WFBTUMD2427			WFBTUMD2430			WFBTUMD2433			WFBTUMD2436		
WFBTUMD2724			WFBTUMD2727			WFBTUMD2730			WFBTUMD2733			WFBTUMD2736		
WFBTUMD3024			WFBTUMD3027			WFBTUMD3030			WFBTUMD3033			WFBTUMD3036		
WFBTUMD3324			WFBTUMD3327			WFBTUMD3330			WFBTUMD3333			WFBTUMD3336		
WFBTUMD3624			WFBTUMD3627			WFBTUMD3630			WFBTUMD3633			WFBTUMD3636		
WFBTUMD3924			WFBTUMD3927			WFBTUMD3930			WFBTUMD3933			WFBTUMD3936		
WFBTUMD4224			WFBTUMD4227			WFBTUMD4230			WFBTUMD4233			WFBTUMD4236		
WFBTUMD4524			WFBTUMD4527			WFBTUMD4530			WFBTUMD4533			WFBTUMD4536		
WFBTUMD4824			WFBTUMD4827			WFBTUMD4830			WFBTUMD4833			WFBTUMD4836		

WALL CABINETS

WALL LIFT OVER TOP

15", 18", 21" HIGH

- Provides a contemporary functional approach to wall cabinet storage.
- Door is hinged to cabinet with special tilt system allowing door to tilt over the top of the cabinet providing easy access.
- Mechanism allows for smooth lift, plus soft close.
- Adjustable shelf in 21" height
- Note: Consider mounting height & ease of reach when designing with this cabinet; must allow clearance above for full lift motion. Be aware of crown molding interference.
- 39" – 48" widths will have a 5/8" vertical partition in the center of the cabinet. On 21" heights, there will be a single adjustable shelf on each side of the partition.

Modifications:

- Minimum Depth: 10"
- Minimum Width: 15"
- Minimum Height: 10"

DESIGN TIP:

For a no handle look, and easy access opening; add the recessed bottom modification. See Modifications for details.

NOTES:

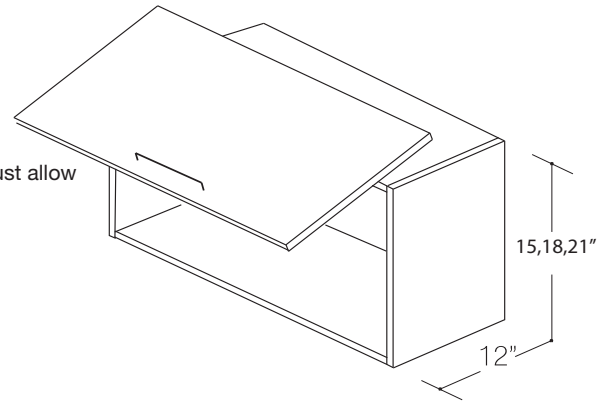
- Stile and Rail constructed door styles will have one center panel with no center stile.

15" HIGH	LIST PRICE	COLUMN
WLOT1815		
WLOT2115		
WLOT2415		
WLOT2715		
WLOT3015		
WLOT3315		
WLOT3615		
WLOT3915		
WLOT4215		
WLOT4515		
WLOT4815		

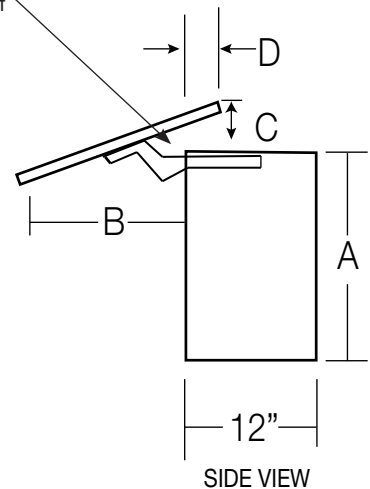
18" HIGH	LIST PRICE	COLUMN
WLOT1818		
WLOT2118		
WLOT2418		
WLOT2718		
WLOT3018		
WLOT3318		
WLOT3618		
WLOT3918		
WLOT4218		
WLOT4518		
WLOT4818		

21" HIGH	LIST PRICE	COLUMN
WLOT1821		
WLOT2121		
WLOT2421		
WLOT2721		
WLOT3021		
WLOT3321		
WLOT3621		
WLOT3921		
WLOT4221		
WLOT4521		
WLOT4821		

WLOT



Traditional crowns are not recommended. 4" height clearance at face edge of box. 1 1/4" max beyond box face edge due to hinge.



Clearance Chart			
A	B	C	D
15"	10"	6 1/2"	3 3/4"
18"	12 3/4"	6 1/2"	3 3/4"
21"	15 1/2"	6 1/2"	3 3/4"

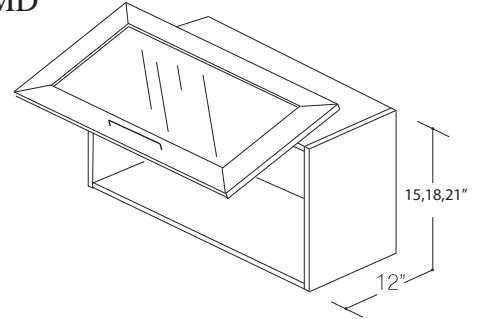
Note: 39" – 48" widths will have a 5/8" vertical partition in the center of the cabinet.

WALL CABINETS

WALL LIFT OVER TOP METAL DOOR 15", 18", 21" HIGH

- Same cabinet and details as previous page, but includes a Satiin Aluminum door with Acid Etched glass.
- 39" - 48" widths will include a full height center partition; adjustable shelf (shelves) on each side on 21" heights. Partition will be visible.
- **Lift mechanism hardware will show slightly through etched glass, and cabinet interior is box material, not finished to match.**

WLOTMD



Modifications:

- **Minimum Depth: 10"**
- **Minimum Width: 12"**
- **Minimum Height: 12"**

15" HIGH	LIST PRICE	COLUMN
WLOTMD1815		
WLOTMD2115		
WLOTMD2415		
WLOTMD2715		
WLOTMD3015		
WLOTMD3315		
WLOTMD3615		
WLOTMD3915		
WLOTMD4215		
WLOTMD4515		
WLOTMD4815		

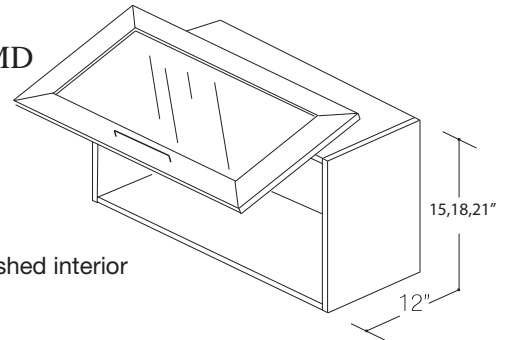
18" HIGH	LIST PRICE	COLUMN
WLOTMD1818		
WLOTMD2118		
WLOTMD2418		
WLOTMD2718		
WLOTMD3018		
WLOTMD3318		
WLOTMD3618		
WLOTMD3918		
WLOTMD4218		
WLOTMD4518		
WLOTMD4818		

21" HIGH	LIST PRICE	COLUMN
WLOTMD1821		
WLOTMD2121		
WLOTMD2421		
WLOTMD2721		
WLOTMD3021		
WLOTMD3321		
WLOTMD3621		
WLOTMD3921		
WLOTMD4221		
WLOTMD4521		
WLOTMD4821		

WALL FINISHED LIFT OVER TOP METAL DOOR

- **Same cabinet and details as above,** but includes a finished interior and exterior; 3/4" construction
- Box edge banding will match same material and color
- **Lift mechanism hardware will show slightly through etched glass**

WFLOTMD



Includes finished interior and exterior

Modifications:

- **Minimum Depth: 10"**
- **Minimum Width: 15"**
- **Minimum Height: 10"**

15" HIGH	LIST PRICE	COLUMN
WFLOTMD1815		
WFLOTMD2115		
WFLOTMD2415		
WFLOTMD2715		
WFLOTMD3015		
WFLOTMD3315		
WFLOTMD3615		
WFLOTMD3915		
WFLOTMD4215		
WFLOTMD4515		
WFLOTMD4815		

18" HIGH	LIST PRICE	COLUMN
WFLOTMD1818		
WFLOTMD2118		
WFLOTMD2418		
WFLOTMD2718		
WFLOTMD3018		
WFLOTMD3318		
WFLOTMD3618		
WFLOTMD3918		
WFLOTMD4218		
WFLOTMD4518		
WFLOTMD4818		

21" HIGH	LIST PRICE	COLUMN
WFLOTMD1821		
WFLOTMD2121		
WFLOTMD2421		
WFLOTMD2721		
WFLOTMD3021		
WFLOTMD3321		
WFLOTMD3621		
WFLOTMD3921		
WFLOTMD4221		
WFLOTMD4521		
WFLOTMD4821		

WALL CABINETS

WALL OPEN TILT UP DOOR BOTTOM

24", 30", 36" TOTAL HEIGHT

- Wall Open Finished Interior cabinet that includes a Tilt Up door on the bottom section of the cabinet.
- The tilt up door can be modified to wood glass door (M-FD); see PageMO.71
- Cabinet box is 3/4" thick material, and finished on all interior and exterior surfaces; edgebanding will match door material and color.
- 39"-48" widths will have a 3/4" thick center vertical partition in both sections.
- Bottom door height = the same door height as a wall 12" (for 24" height); wall 15" (for 30" height); and wall 18" (for 36" height).
- No adjustable shelves; and no line boring.

Modifications:

- o **Minimum Depth: 10"**
- o **Minimum Width: 15"**
- o **Minimum Height: 21"**
both sections remain equal height

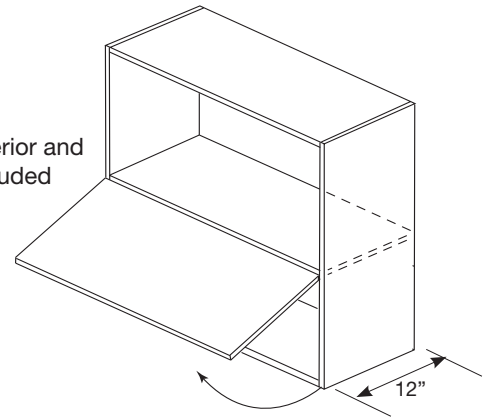
24" HIGH	LIST PRICE	COLUMN
WOTDB1824		
WOTDB2124		
WOTDB2424		
WOTDB2724		
WOTDB3024		
WOTDB3324		
WOTDB3624		
WOTDB3924		
WOTDB4224		
WOTDB4524		
WOTDB4824		

30" HIGH	LIST PRICE	COLUMN
WOTDB1830		
WOTDB2130		
WOTDB2430		
WOTDB2730		
WOTDB3030		
WOTDB3330		
WOTDB3630		
WOTDB3930		
WOTDB4230		
WOTDB4530		
WOTDB4830		

36" HIGH	LIST PRICE	COLUMN
WOTDB1836		
WOTDB2136		
WOTDB2436		
WOTDB2736		
WOTDB3036		
WOTDB3336		
WOTDB3636		
WOTDB3936		
WOTDB4236		
WOTDB4536		
WOTDB4836		

WOTDB

finished interior and exterior included



NOTES:

- Stile and Rail constructed door styles will have one center panel with no center stile.
- Modify to Frame A glass frame door (M-FD) is allowed. See Modifications. Be aware that lift mechanism hardware will show, and cabinet interior is box material, not finished to match.

WALL OPEN TILT UP METAL DOOR BOTTOM

WOTMDB

- Same cabinet as above, but includes Satin Aluminum frame door with Acid Etched glass.
- Interior and exterior will match other finished material on same order
- Edge banding will match same material and color
- 39" - 48" widths will have 3/4" thick vertical center partition in both sections; partition will be visible.

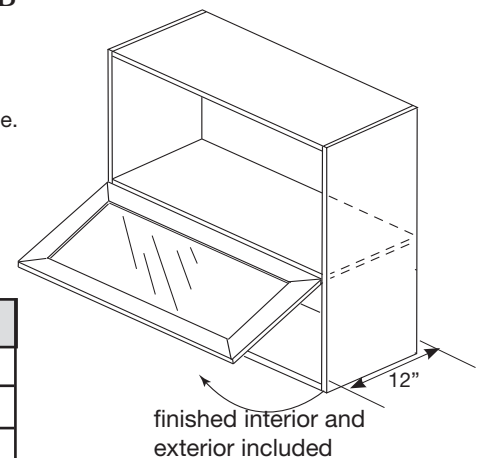
Modifications:

- o **Minimum Depth: 10"**
- o **Minimum Width: 15"**
- o **Minimum Height: 21"**
both sections remain equal height

24" HIGH	LIST PRICE	COLUMN
WOTMDB1824		
WOTMDB2124		
WOTMDB2424		
WOTMDB2724		
WOTMDB3024		
WOTMDB3324		
WOTMDB3624		
WOTMDB3924		
WOTMDB4224		
WOTMDB4524		
WOTMDB4824		

30" HIGH	LIST PRICE	COLUMN
WOTMDB1830		
WOTMDB2130		
WOTMDB2430		
WOTMDB2730		
WOTMDB3030		
WOTMDB3330		
WOTMDB3630		
WOTMDB3930		
WOTMDB4230		
WOTMDB4530		
WOTMDB4830		

36" HIGH	LIST PRICE	COLUMN
WOTMDB1836		
WOTMDB2136		
WOTMDB2436		
WOTMDB2736		
WOTMDB3036		
WOTMDB3336		
WOTMDB3636		
WOTMDB3936		
WOTMDB4236		
WOTMDB4536		
WOTMDB4836		



WALL CABINETS

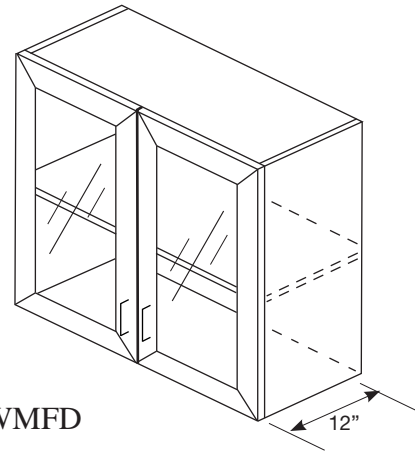
WALL METAL FRAME DOOR

12", 15", 18" HIGH (No SHELVES) | 21", 24", 27" HIGH (1 SHELF)

- Doors have 2 1/8" wide satin aluminum frame with acid etched glass included.
- 12" - 21" wide cabinets will have a single door, specify hinge left or right.
- 24" - 42" wide cabinets will have double doors of equal width.
- 39" and 42" wide cabinets will have 5/8" thick vertical center partition with independently adjustable shelves on each side.

Modifications:

- Minimum Depth: 4"
- Minimum Width: 12"
- Minimum Height: 10"



WMFD

12" HIGH	LIST PRICE	COLUMN
WMFD1212		
WMFD13.512		
WMFD1512		
WMFD16.512		
WMFD1812		
WMFD19.512		
WMFD2112		
WMFD2412		
WMFD2712		
WMFD3012		
WMFD3312		
WMFD3612		
WMFD3912		
WMFD4212		

15" HIGH	LIST PRICE	COLUMN
WMFD1215		
WMFD13.515		
WMFD1515		
WMFD16.515		
WMFD1815		
WMFD19.515		
WMFD2115		
WMFD2415		
WMFD2715		
WMFD3015		
WMFD3315		
WMFD3615		
WMFD3915		
WMFD4215		

18" HIGH	LIST PRICE	COLUMN
WMFD1218		
WMFD13.518		
WMFD1518		
WMFD16.518		
WMFD1818		
WMFD19.518		
WMFD2118		
WMFD2418		
WMFD2718		
WMFD3018		
WMFD3318		
WMFD3618		
WMFD3918		
WMFD4218		

21" HIGH	LIST PRICE	COLUMN
WMFD1221		
WMFD13.521		
WMFD1521		
WMFD16.521		
WMFD1821		
WMFD19.521		
WMFD2121		
WMFD2421		
WMFD2721		
WMFD3021		
WMFD3321		
WMFD3621		
WMFD3921		
WMFD4221		

24" HIGH	LIST PRICE	COLUMN
WMFD1224		
WMFD13.524		
WMFD1524		
WMFD16.524		
WMFD1824		
WMFD19.524		
WMFD2124		
WMFD2424		
WMFD2724		
WMFD3024		
WMFD3324		
WMFD3624		
WMFD3924		
WMFD4224		

27" HIGH	LIST PRICE	COLUMN
WMFD1227		
WMFD13.527		
WMFD1527		
WMFD16.527		
WMFD1827		
WMFD19.527		
WMFD2127		
WMFD2427		
WMFD2727		
WMFD3027		
WMFD3327		
WMFD3627		
WMFD3927		
WMFD4227		

WALL CABINETS

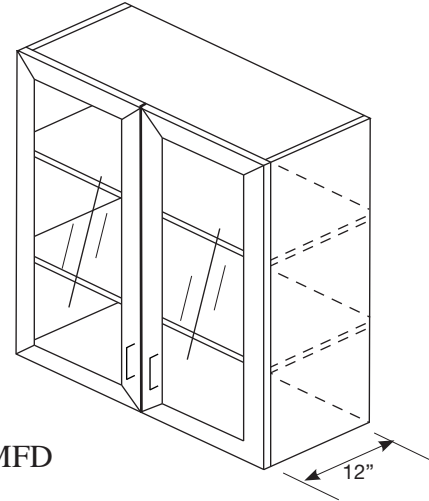
WALL METAL FRAME DOOR

30", 33", 36", 39" HIGH (2 SHELVES) | 42" HIGH (3 SHELVES)

- Doors have 2 1/8" wide brushed satin aluminum frame with acid etched glass included.
- 12" - 21" wide cabinets will have a single door, specify hinge left or right.
- 24" - 42" wide cabinets will have double doors of equal width.
- 39" and 42" wide cabinets will have 5/8" thick vertical center partition with independently adjustable shelves on each side.

Modifications:

- Minimum Depth: 4"
- Minimum Width: 12"
- Minimum Height: 10"



30" HIGH	LIST PRICE	COLUMN B	33" HIGH	LIST PRICE	COLUMN B	36" HIGH	LIST PRICE	COLUMN B
WMFD1230			WMFD1233			WMFD1236		
WMFD13.530			WMFD13.533			WMFD13.536		
WMFD1530			WMFD1533			WMFD1536		
WMFD16.530			WMFD16.533			WMFD16.536		
WMFD1830			WMFD1833			WMFD1836		
WMFD19.530			WMFD19.533			WMFD19.536		
WMFD2130			WMFD2133			WMFD2136		
WMFD2430			WMFD2433			WMFD2436		
WMFD2730			WMFD2733			WMFD2736		
WMFD3030			WMFD3033			WMFD3036		
WMFD3330			WMFD3333			WMFD3336		
WMFD3630			WMFD3633			WMFD3636		
WMFD3930			WMFD3933			WMFD3936		
WMFD4230			WMFD4233			WMFD4236		

39" HIGH	LIST PRICE	COLUMN B	42" HIGH	LIST PRICE	COLUMN B
WMFD1239			WMFD1242		
WMFD13.539			WMFD13.542		
WMFD1539			WMFD1542		
WMFD16.539			WMFD16.542		
WMFD1839			WMFD1842		
WMFD19.539			WMFD19.542		
WMFD2139			WMFD2142		
WMFD2439			WMFD2442		
WMFD2739			WMFD2742		
WMFD3039			WMFD3042		
WMFD3339			WMFD3342		
WMFD3639			WMFD3642		
WMFD3939			WMFD3942		
WMFD4239			WMFD4242		

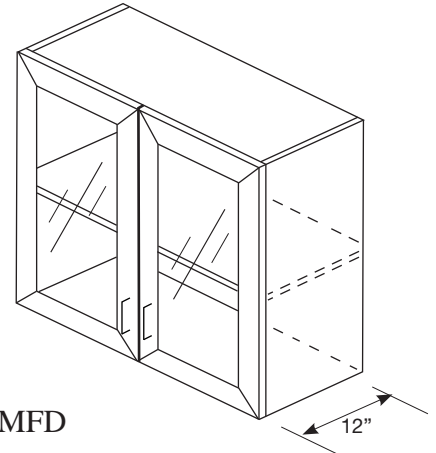
WALL CABINETS

WALL FINISHED INTERIOR METAL FRAME DOOR - INCLUDES FINISHED INTERIOR 12", 15", 18" HIGH (No SHELVES) | 21", 24", 27" HIGH (1 SHELF)

- ALL INTERIOR AND EXTERIOR SURFACES ARE FINISHED TO MATCH.
- 3/4" THICK BOX CONSTRUCTION
- Doors have 2 1/8" wide satin aluminum frame with acid etched glass included.
- 12" - 21" wide cabinets will have a single door, specify hinge left or right.
- 24" - 42" wide cabinets will have double doors of equal width.
- 39" and 42" wide cabinets will have 5/8" thick vertical center partition with independently adjustable shelves on each side.
- Sides and back will have vertical pattern/grain direction in all door styles except Waves, in which case the pattern will be horizontal.

Modifications:

- Minimum Depth: 4"
- Minimum Width: 12"
- Minimum Height: 10"



WFMFD

12" HIGH	LIST PRICE	COLUMN B
WFMFD1212		
WFMFD13.512		
WFMFD1512		
WFMFD16.512		
WFMFD1812		
WFMFD19.512		
WFMFD2112		
WFMFD2412		
WFMFD2712		
WFMFD3012		
WFMFD3312		
WFMFD3612		

15" HIGH	LIST PRICE	COLUMN B
WFMFD1215		
WFMFD13.515		
WFMFD1515		
WFMFD16.515		
WFMFD1815		
WFMFD19.515		
WFMFD2115		
WFMFD2415		
WFMFD2715		
WFMFD3015		
WFMFD3315		
WFMFD3615		

18" HIGH	LIST PRICE	COLUMN B
WFMFD1218		
WFMFD13.518		
WFMFD1518		
WFMFD16.518		
WFMFD1818		
WFMFD19.518		
WFMFD2118		
WFMFD2418		
WFMFD2718		
WFMFD3018		
WFMFD3318		
WFMFD3618		

21" HIGH	LIST PRICE	COLUMN B
WFMFD1221		
WFMFD13.521		
WFMFD1521		
WFMFD16.521		
WFMFD1821		
WFMFD19.521		
WFMFD2121		
WFMFD2421		
WFMFD2721		
WFMFD3021		
WFMFD3321		
WFMFD3621		

24" HIGH	LIST PRICE	COLUMN B
WFMFD1224		
WFMFD13.524		
WFMFD1524		
WFMFD16.524		
WFMFD1824		
WFMFD19.524		
WFMFD2124		
WFMFD2424		
WFMFD2724		
WFMFD3024		
WFMFD3324		
WFMFD3624		

27" HIGH	LIST PRICE	COLUMN B
WFMFD1227		
WFMFD13.527		
WFMFD1527		
WFMFD16.527		
WFMFD1827		
WFMFD19.527		
WFMFD2127		
WFMFD2427		
WFMFD2727		
WFMFD3027		
WFMFD3327		
WFMFD3627		

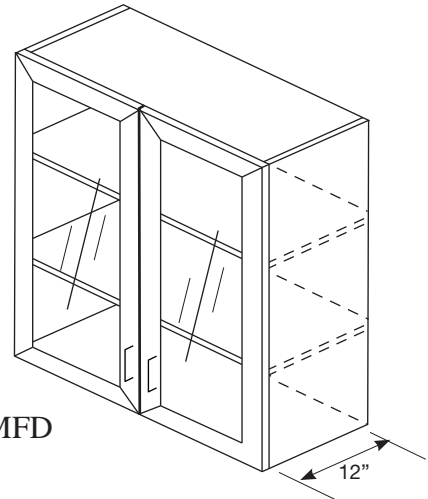
WALL CABINETS

WALL FINISHED INTERIOR METAL FRAME DOOR - INCLUDES FINISHED INTERIOR 30", 33", 36", 39" HIGH (2 SHELVES) | 42" HIGH (3 SHELVES)

- ALL INTERIOR AND EXTERIOR SURFACES ARE FINISHED TO MATCH.
- 3/4" THICK BOX CONSTRUCTION
- Doors have 2 1/8" wide brushed satin aluminum frame with acid etched glass included.
- 12" - 21" wide cabinets will have a single door, specify hinge left or right.
- 24" - 42" wide cabinets will have double doors of equal width.
- 39" and 42" wide cabinets will have 5/8" thick vertical center partition with independently adjustable shelves on each side.
- Sides and back will have vertical pattern/grain direction in all door styles except Waves, in which case the pattern will be horizontal.

Modifications:

- Minimum Depth: 4"
- Minimum Width: 12"
- Minimum Height: 10"



WFMFD

30" HIGH	LIST PRICE	COLUMN B
WFMFD1230		
WFMFD13.530		
WFMFD1530		
WFMFD16.530		
WFMFD1830		
WFMFD19.530		
WFMFD2130		
WFMFD2430		
WFMFD2730		
WFMFD3030		
WFMFD3330		
WFMFD3630		

33" HIGH	LIST PRICE	COLUMN B
WFMFD1233		
WFMFD13.533		
WFMFD1533		
WFMFD16.533		
WFMFD1833		
WFMFD19.533		
WFMFD2133		
WFMFD2433		
WFMFD2733		
WFMFD3033		
WFMFD3333		
WFMFD3633		

36" HIGH	LIST PRICE	COLUMN B
WFMFD1236		
WFMFD13.536		
WFMFD1536		
WFMFD16.536		
WFMFD1836		
WFMFD19.536		
WFMFD2136		
WFMFD2436		
WFMFD2736		
WFMFD3036		
WFMFD3336		
WFMFD3636		

39" HIGH	LIST PRICE	COLUMN B
WFMFD1239		
WFMFD13.539		
WFMFD1539		
WFMFD16.539		
WFMFD1839		
WFMFD19.539		
WFMFD2139		
WFMFD2439		
WFMFD2739		
WFMFD3039		
WFMFD3339		
WFMFD3639		

42" HIGH	LIST PRICE	COLUMN B
WFMFD1242		
WFMFD13.542		
WFMFD1542		
WFMFD16.542		
WFMFD1842		
WFMFD19.542		
WFMFD2142		
WFMFD2442		
WFMFD2742		
WFMFD3042		
WFMFD3342		
WFMFD3642		

WALL CABINETS

STRAIGHT APPLIANCE GARAGE METAL TAMBOUR

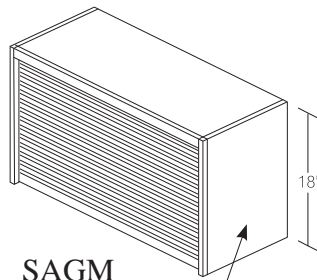
- No bottom on cabinet.
- Brushed metal-look tambour only.
- Interior is box material.
- 18" high = 13 5/8" height clearance when tambour fully opened.
- 48" high = 43 1/2" height clearance when tambour is fully opened.
- 48" high version includes 3 adjustable shelves; usable depth is 10 3/4".

• No modifications

18" HIGH	LIST PRICE	COLUMN B
SAGM2418		
SAGM2718		
SAGM3018		
SAGM3318		
SAGM3618		

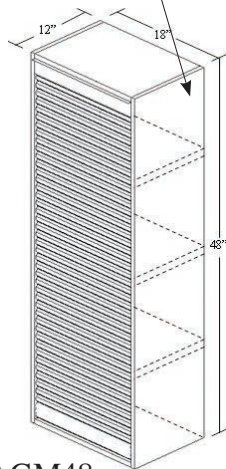
48" HIGH	LIST PRICE	COLUMN B
SAGM1848		

• No modifications



SAGM

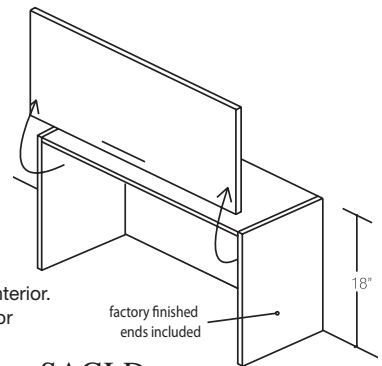
Factory finished ends included



SAGM48

STRAIGHT APPLIANCE GARAGE LIFT UP DOOR

- Appliance garage with door lift-up mechanism. Door pulls out and then lifts up staying in the same vertical plane. Locks in place in front of cabinet face above.
- Allows full access to cabinet interior.
- 18" height clearance when door is fully opened.
- 7" clearance between opened door and door face of cabinet above SAGLD.

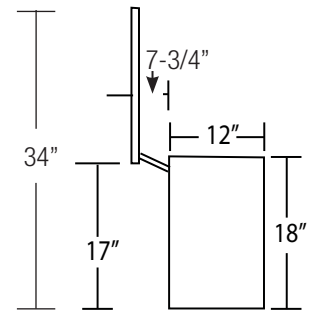


SAGLD

Modifications:

- o Minimum Depth: 10"
- o Minimum Width: 15"
- o Minimum Height: 10"

18" HIGH	LIST PRICE	COLUMN A
SAGLD1818		
SAGLD2118		
SAGLD2418		
SAGLD2718		
SAGLD3018		
SAGLD3318		
SAGLD3618		



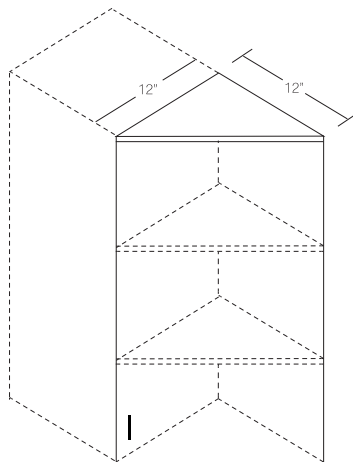
SIDE VIEW

WALL TRIANGLE END

- Two fixed shelves, evenly spaced. Three shelves at 42" height.
- Use at end of run.
- Specify left or right.
- Factory finished ends are not available.

Modifications:

- o Minimum Depth: N/A
- o Minimum Width: N/A
- o Minimum Height: 10"



WTE

Right end shown

	LIST PRICE	COLUMN A
WTE1230		
WTE1233		
WTE1236		
WTE1239		
WTE1242		

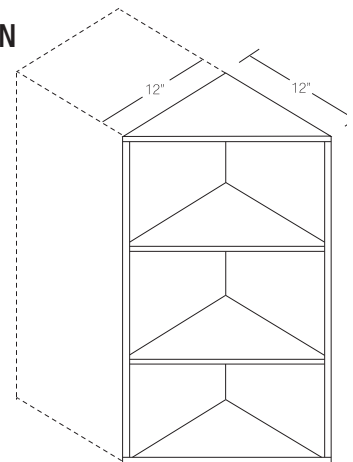
NOTE: Soft close hinges are not available on Wall Triangle End Cabinets.

WALL TRIANGLE END OPEN

- Cabinets constructed with 3/4" thick sides, top, bottom and shelves.
- Two fixed shelves evenly spaced
- Three shelves at 42" height.
- Use at end of run.
- Specify left or right.
- Factory finished ends are not available.

Modifications:

- o Minimum Depth: N/A
- o Minimum Width: N/A
- o Minimum Height: 10"



WTEO

Right end shown

	LIST PRICE	COLUMN A
WTEO1230		
WTEO1233		
WTEO1236		
WTEO1239		
WTEO1242		

WALL CABINETS

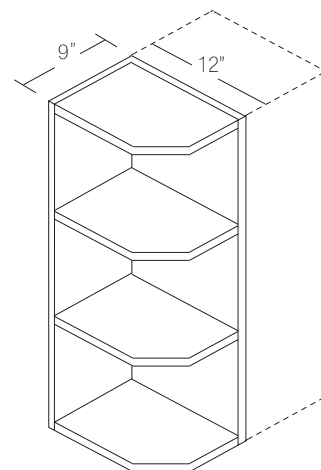
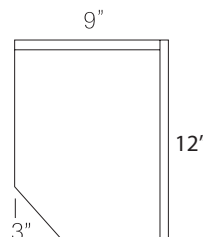
WALL OPEN END ANGLE

- Cabinets constructed with 3/4" thick sides, top, bottom, and shelves.
- Two fixed shelves 30 - 39" high; 3 shelves @ 42" height.
- All interior and exterior surfaces are finished to match.
- Case edge band is real wood veneer 'tape' on wood door orders.
- The A grade side of wood veneers will be placed on the interior side of the cabinet unless a finished end is specified, in which case the A side will be used on the exterior side. There is no additional charge for finished ends on this open cabinet

Modifications:

- Minimum Depth: N/A
- Minimum Width: N/A
- Minimum Height: 10"

	LIST PRICE	COLUMN B
W0EA930		
W0EA933		
W0EA936		
W0EA939		
W0EA942		



W0EA
Hinge L shown

WALL WINE CABINET

6", 12", 18" WIDE

- Constructed with 3/4" thick finished interior and exterior.
- Shelves are removable and evenly spaced, no line boring.
- 12" width will have one 3/4" center partition;
18" will have two equally divided.

• No modifications

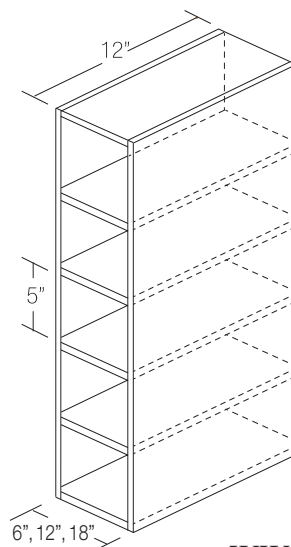
Heights:

- 24" = Four Vertical Divisions
- 30" = Five Vertical Divisions
- 33" = Five Vertical Divisions
- 36" = Six Vertical Divisions
- 39" = Six Vertical Divisions
- 42" = Seven Vertical Divisions

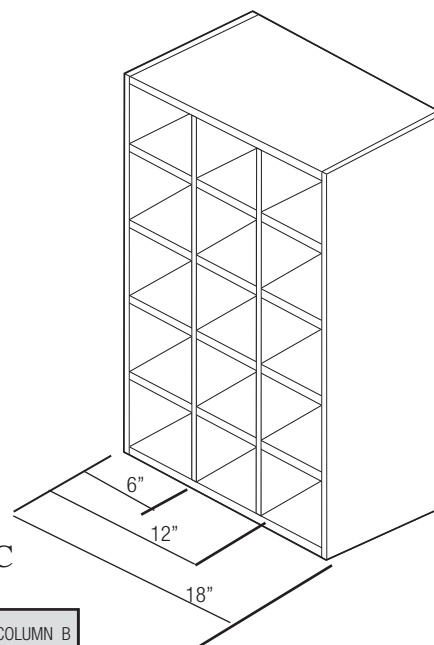
Inside Width = 4 1/2"

Inside Depth = 11"

Typical wine bottle = 13" tall.



WWC



6" WIDE	LIST PRICE	COLUMN B
WWC624		
WWC630		
WWC633		
WWC636		
WWC639		
WWC642		

12" WIDE	LIST PRICE	COLUMN B
WWC1224		
WWC1230		
WWC1233		
WWC1236		
WWC1239		
WWC1242		

18" WIDE	LIST PRICE	COLUMN B
WWC1824		
WWC1830		
WWC1833		
WWC1836		
WWC1839		
WWC1842		

**WALL WINE CABINET FOR
HORIZONTAL INSTALL
24-42" WIDTHS x 6" HEIGHT**

6" HIGH	LIST PRICE	COLUMN B
WWC2406		
WWC3006		
WWC3606		
WWC4206		

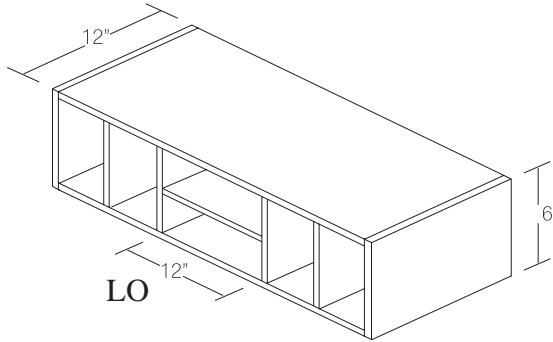
WALL CABINETS

LETTER ORGANIZER

6" High

- Constructed with finished interior and exterior.
- Standard cabinet height is 6".
- Standard cabinet depth is 12".
- Only two 'cubby' holes in 24" and 27" widths.

Modifications:
o Minimum Depth: 4"
o Minimum Width: N/A
o Minimum Height: N/A



6" HIGH	LIST PRICE	COLUMN B
L02406		
L02706		
L03006		
L03306		
L03606		

INTENTIONALLY LEFT BLANK

WALL CABINETS 15" DEEP

WALL CABINETS - 15" DEEP

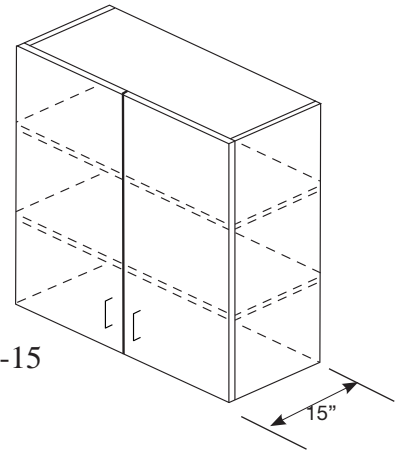
15", 18" (No SHELF) 21" 24" 27" High (1 SHELF)

30", 33", 36", 39" High (2 SHELVES) | 42" High (3 SHELVES)

- 12" - 21" wide wall cabinets will have a single door, specify hinge left or right.
- 24" - 42" wide wall cabinets will have double doors of equal width.
- 39" and 42" wide wall cabinets will have a 5/8" thick vertical center partition with independently adjustable shelves on each side.

Modifications:

- Minimum Depth: 12 1/4"
- Minimum Width: 9"
- Minimum Height: 10"



WXXXX-15

15" HIGH 15" DEEP	LIST PRICE	COLUMN A	18" HIGH 15" DEEP	LIST PRICE	COLUMN A	21" HIGH 15" DEEP	LIST PRICE	COLUMN A	24" HIGH 15" DEEP	LIST PRICE	COLUMN A	27" HIGH 15" DEEP	LIST PRICE	COLUMN A
W1215-15			W1218-15			W1221-15			W1224-15			W1227-15		
W13.515-15			W13.518-15			W13.521-15			W13.524-15			W13.527-15		
W1515-15			W1518-15			W1521-15			W1524-15			W1527-15		
W16.515-15			W16.518-15			W16.521-15			W16.524-15			W16.527-15		
W1815-15			W1818-15			W1821-15			W1824-15			W1827-15		
W19.515-15			W19.518-15			W19.521-15			W19.524-15			W19.527-15		
W2115-15			W2118-15			W2121-15			W2124-15			W2127-15		
W2415-15			W2418-15			W2421-15			W2424-15			W2427-15		
W2715-15			W2718-15			W2721-15			W2724-15			W2727-15		
W3015-15			W3018-15			W3021-15			W3024-15			W3027-15		
W3315-15			W3318-15			W3321-15			W3324-15			W3327-15		
W3631515			W3618-15			W3621-15			W3624-15			W3627-15		
W3915-15			W3918-15			W3921-15			W3924-15			W3927-15		
W4215-15			W4218-15			W4221-15			W4224-15			W4227-15		

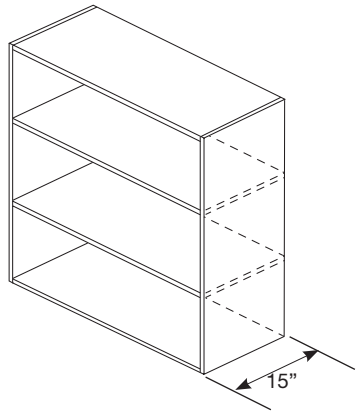
30" HIGH 15" DEEP	LIST PRICE	COLUMN A	33" HIGH 15" DEEP	LIST PRICE	COLUMN A	36" HIGH 15" DEEP	LIST PRICE	COLUMN A	39" HIGH 15" DEEP	LIST PRICE	COLUMN A	42" HIGH 15" DEEP	LIST PRICE	COLUMN A
W1230-15			W1233-15			W1236-15			W1239-15			W1242-15		
W13.530-15			W13.533-15			W13.536-15			W13.539-15			W13.542-15		
W1530-15			W1533-15			W1536-15			W1539-15			W1542-15		
W16.530-15			W16.533-15			W16.536-15			W16.539-15			W16.542-15		
W1830-15			W1833-15			W1836-15			W1839-15			W1842-15		
W19.530-15			W19.533-15			W19.536-15			W19.539-15			W19.542-15		
W2130-15			W2133-15			W2136-15			W2139-15			W2142-15		
W2430-15			W2433-15			W2436-15			W2439-15			W2442-15		
W2730-15			W2733-15			W2736-15			W2739-15			W2742-15		
W3030-15			W3033-15			W3036-15			W3039-15			W3042-15		
W3330-15			W3333-15			W3336-15			W3339-15			W3342-15		
W3630-15			W3633-15			W3636-15			W3639-15			W3642-15		
W3930-15			W3933-15			W3936-15			W3939-15			W3942-15		
W4230-15			W4233-15			W4236-15			W4239-15			W4242-15		

WALL CABINETS 15" DEEP

WALL OPEN FINISHED INTERIOR - 15" DEEP

12", 15", 18" HIGH (NO SHELVES) | 21", 24", 27" HIGH (1 SHELF)
30", 33", 36", 39" HIGH (2 SHELVES) | 42" HIGH (3 SHELVES)

- NOTE: Use open finished interior cabinets to achieve a glass door cabinet with a matching finished interior.
- See Modification page.



WO-15

- Modifications:**
- o Minimum Depth: 12 1/4"
 - o Minimum Width: 9"
 - o Minimum Height: 10"

12" HIGH 15" DEEP	LIST PRICE	COLUMN B	15" HIGH 15" DEEP	LIST PRICE	COLUMN B	18" HIGH 15" DEEP	LIST PRICE	COLUMN B	21" HIGH 15" DEEP	LIST PRICE	COLUMN B	24" HIGH 15" DEEP	LIST PRICE	COLUMN B	27" HIGH 15" DEEP	LIST PRICE	COLUMN B
WO1212-15			WO1215-15			WO1218-15			WO1221-15			WO1224-15			WO1227-15		
WO13.512-15			WO13.515-15			WO13.518-15			WO13.521-15			WO13.524-15			WO13.527-15		
WO1512-15			WO1515-15			WO1518-15			WO1521-15			WO1524-15			WO1527-15		
WO16.512-15			WO16.515-15			WO16.518-15			WO16.521-15			WO16.524-15			WO16.527-15		
WO1812-15			WO1815-15			WO1818-15			WO1821-15			WO1824-15			WO1827-15		
WO19.512-15			WO19.515-15			WO19.518-15			WO19.521-15			WO19.524-15			WO19.527-15		
WO2112-15			WO2115-15			WO2118-15			WO2121-15			WO2124-15			WO2127-15		
WO2412-15			WO2415-15			WO2418-15			WO2421-15			WO2424-15			WO2427-15		
WO2712-15			WO2715-15			WO2718-15			WO2721-15			WO2724-15			WO2727-15		
WO3012-15			WO3015-15			WO3018-15			WO3021-15			WO3024-15			WO3027-15		
WO3312-15			WO3315-15			WO3318-15			WO3321-15			WO3324-15			WO3327-15		
WO3612-15			WO3615-15			WO3618-15			WO3621-15			WO3624-15			WO3627-15		

30" HIGH 15" DEEP	LIST PRICE	COLUMN B	33" HIGH 15" DEEP	LIST PRICE	COLUMN B	36" HIGH 15" DEEP	LIST PRICE	COLUMN B	39" HIGH 15" DEEP	LIST PRICE	COLUMN B	42" HIGH 15" DEEP	LIST PRICE	COLUMN B
WO1230-15			WO1233-15			WO1236-15			WO1239-15			WO1242-15		
WO13.530-15			WO13.533-15			WO13.536-15			WO13.539-15			WO13.542-15		
WO1530-15			WO1533-15			WO1536-15			WO1539-15			WO1542-15		
WO16.530-15			WO16.533-15			WO16.536-15			WO16.539-15			WO16.542-15		
WO1830-15			WO1833-15			WO1836-15			WO1839-15			WO1842-15		
WO19.530-15			WO19.533-15			WO19.536-15			WO19.539-15			WO19.542-15		
WO2130-15			WO2133-15			WO2136-15			WO2139-15			WO2142-15		
WO2430-15			WO2433-15			WO2436-15			WO2439-15			WO2442-15		
WO2730-15			WO2733-15			WO2736-15			WO2739-15			WO2742-15		
WO3030-15			WO3033-15			WO3036-15			WO3039-15			WO3042-15		
WO3330-15			WO3333-15			WO3336-15			WO3339-15			WO3342-15		
WO3630-15			WO3633-15			WO3636-15			WO3639-15			WO3642-15		

WALL CABINETS 15" DEEP

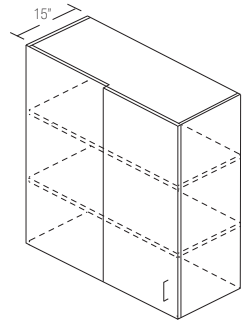
WALL BLIND CORNER

30" High - 15" DEEP

36", 33", 39" High - 15" DEEP (2 SHELVES)

42" High - 15" DEEP (3 SHELVES)

- NOTE: Designed to fit in a 27", 30", 33", or 36" wide space.
- Pull and install 3" from corner.
(*Example: WBC3630 cabinet is actually 33" wide, but is designed to fit in a 34 1/2" - 37 1/2" wide space).
- NOTE: Blind panel is finished to match door material.



WBC-15
Hinge L shown

30" HIGH 15" DEEP	LIST PRICE	COLUMN A
WBC2730-15		
WBC3030-15		
WBC3330-15		
WBC3630-15		

Modifications:

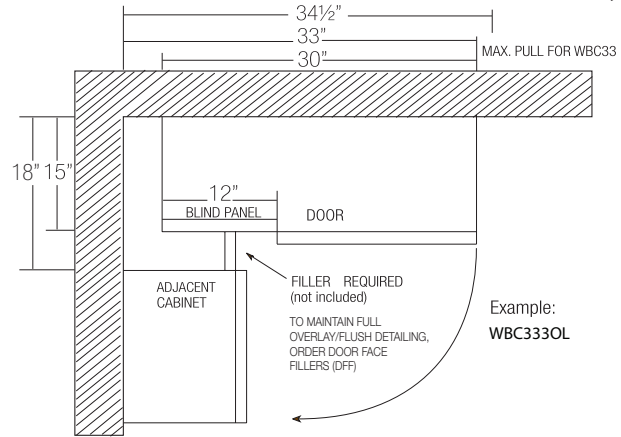
- o Minimum Depth: 12 1/4"
- o Minimum Width: N/A
- o Minimum Height: 10"

33" HIGH 15" DEEP	LIST PRICE	COLUMN A
WBC2733-15		
WBC3033-15		
WBC3333-15		
WBC3633-15		

36" HIGH 15" DEEP	LIST PRICE	COLUMN A
WBC2736-15		
WBC3036-15		
WBC3336-15		
WBC3636-15		

39" HIGH 15" DEEP	LIST PRICE	COLUMN A
WBC2739-15		
WBC3039-15		
WBC3339-15		
WBC3639-15		

42" HIGH 15" DEEP	LIST PRICE	COLUMN A
WBC2742-15		
WBC3042-15		
WBC3342-15		
WBC3642-15		

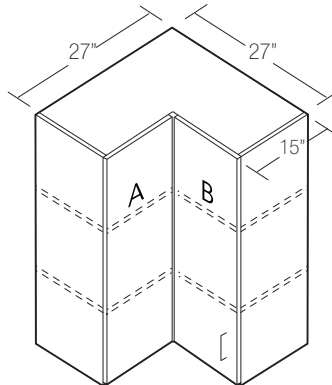


Cabinet	Install Range	Door Size	Actual Cabinet Width
27"	25 1/2" - 28 1/2"	12"	24"
30"	28 1/2" - 31 1/2"	15"	27"
33"	31 1/2" - 34 1/2"	18"	30"
36"	34 1/2" - 37 1/2"	21"	33"

WALL SQUARE CORNER

27" Wide - 15" DEEP

- 24" High = 1 Shelf
- 30" - 39" High = 2 Shelves
- 42" High = 3 Shelves
- 'A' door is attached to cabinet with 165° opening hinges.
- 'B' door is attached to 'A' door.
- Soft close hinges not available.
- NOTE: Do not recommend glass door option for WSC as hinges will be visible.



WSC-15
Hinge L shown.

WSCO-15

Modifications:

- o Minimum Depth: N/A
- o Minimum Width: N/A
- o Minimum Height: 10"

27" WIDE 15" DEEP	LIST PRICE	COLUMN A
WSC2724-15		
WSC2730-15		
WSC2733-15		
WSC2736-15		
WSC2739-15		
WSC2742-15		

WALL SQUARE CORNER OPEN

27" Wide - 15" DEEP

- Same cabinet as shown left, but with no doors.
- 3/4" construction, finished interior and exterior
- Adjustable shelves; same quantities listed above
- Box edgework will be same as door material and color

Modifications:

- o Minimum Depth: N/A
- o Minimum Width: N/A
- o Minimum Height: 10"

27" WIDE 15" DEEP	LIST PRICE	COLUMN A
WSCO2724-15		
WSCO2730-15		
WSCO2733-15		
WSCO2736-15		
WSCO2739-15		
WSCO2742-15		

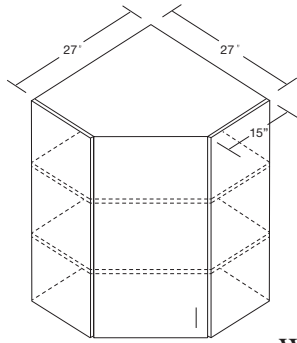
WALL CABINETS 15" DEEP

WALL ANGLE CORNER 27" WIDE - 15" DEEP

- 24" High = 1 Shelf
- 30" - 39" High = 2 Shelves
- 42" High = 3 Shelves

Modifications:
o Minimum Depth: N/A
o Minimum Width: N/A
o Minimum Height: 10"

27" WIDE 15" DEEP	LIST PRICE	COLUMN A
WAC2724-15		
WAC2730-15		
WAC2733-15		
WAC2736-15		
WAC2739-15		
WAC2742-15		



WAC-15

WACO-15

WALL ANGLE CORNER OPEN 27" WIDE - 15" DEEP

- Same cabinet as shown left, but with no doors.
 - Cabinets constructed with 3/4" thick sides, top, bottom, and shelves.
 - All interior and exterior surfaces are finished to match.
 - Case edge band is real wood veneer 'tape' on wood door orders.
 - A grade side of wood veneers will be placed on interior side of cabinet unless finished end specified, in which A side will be used on exterior side.
- *No additional charge for finished ends on this open cabinet.

Modifications:
o Minimum Depth: N/A
o Minimum Width: N/A
o Minimum Height: 10"

27" WIDE 15" DEEP	LIST PRICE	COLUMN B
WACO2724-15		
WACO2730-15		
WACO2733-15		
WACO2736-15		
WACO2739-15		
WACO2742-15		

INTENTIONALLY LEFT BLANK

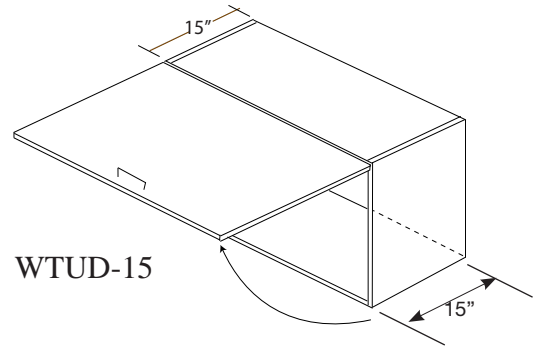
WALL CABINETS 15" DEEP

WALL TILT UP DOOR-15" DEEP 12", 15", 18" HIGH

- Door tilts up to a 105 degree angle.
- SOFT-CLOSE lifts support opened door. Adjustments allow for holding open door in position
- Recommended top of cabinet be at 78" or less from floor to assure door can be reached in open position.
- 39 - 48" Widths will have 5/8" center vertical partition for cabinet structural support.
- No adjustable shelves

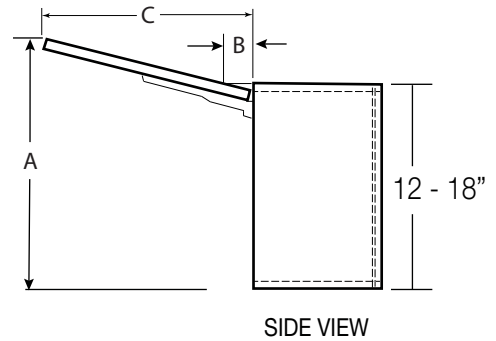
Modifications:
o Minimum Depth: 12 1/4"
o Minimum Width: 15"
o Minimum Height: 10"

DESIGN TIP:
For a 'no-handle' design, and easy access opening; add the recessed bottom modification. See Modifications for details.



NOTES:

- Stile and Rail constructed door styles will have one center panel with no center stile.
- Modify to Frame A glass frame door (M-FD) is allowed. See Modifications. Be aware that lift mechanism hardware will show, and cabinet interior is box material, not finished to match.



Clearance Chart		
Cabinet Ht.	A	B
12"	15 1/4"	2 1/4"
15"	19 1/8"	2 1/4"
18"	23"	2 1/4"

NOTE: These dimensions apply to all Wall Tilt Up Door Cabinets. B is the distance for clearance from top cabinet edge to door surface in open position.

12" HIGH	LIST PRICE	COLUMN
WTUD1812-15		
WTUD2112-15		
WTUD2412-15		
WTUD2712-15		
WTUD3012-15		
WTUD3312-15		
WTUD3612-15		
WTUD3912-15		
WTUD4212-15		
WTUD4512-15		
WTUD4812-15		

15" HIGH	LIST PRICE	COLUMN
WTUD1815-15		
WTUD2115-15		
WTUD2415-15		
WTUD2715-15		
WTUD3015-15		
WTUD3315-15		
WTUD3615-15		
WTUD3915-15		
WTUD4215-15		
WTUD4515-15		
WTUD4815-15		

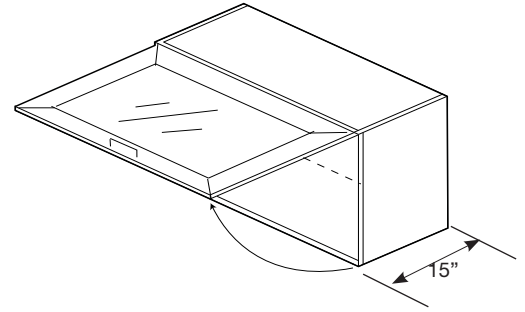
18" HIGH	LIST PRICE	COLUMN
WTUD1818-15		
WTUD2118-15		
WTUD2418-15		
WTUD2718-15		
WTUD3018-15		
WTUD3318-15		
WTUD3618-15		
WTUD3918-15		
WTUD4218-15		
WTUD 4518-15		
WTUD 4818-15		

WALL CABINETS 15" DEEP

WALL TILT UP SATIN ALUMINUM GLASS DOOR 12", 15", 18" HIGH

- **Satin Aluminum door with Acid Etched Glass included**
- Door tilts up to a 105 degree angle. SOFT-CLOSE lifts support opened door.
- Adjustments allow for holding open door in position
- Recommended top of cabinet be at 78" or less from floor to assure door can be reached in open position.
- 39 - 48" Width will have 5/8" center vertical partition for cabinet structural support. Partition will be visible

WTUMD-15



Modifications:

- o **Minimum Depth: 12 1/4"**
- o **Minimum Width: 15"**
- o **Minimum Height: 10"**

DESIGN TIP:

For a no handle look, and easy access opening; add the recessed bottom modification. See Modifications for details.

12" HIGH	LIST PRICE	COLUMN
WTUMD1812-15		
WTUMD2112-15		
WTUMD2412-15		
WTUMD2712-15		
WTUMD3012-15		
WTUMD3312-15		
WTUMD3612-15		
WTUMD3912-15		
WTUMD4212-15		
WTUMD 4512-15		
WTUMD 4812-15		

15" HIGH	LIST PRICE	COLUMN
WTUMD1815-15		
WTUMD2115-15		
WTUMD2415-15		
WTUMD2715-15		
WTUMD3015-15		
WTUMD3315-15		
WTUMD3615-15		
WTUMD3915-15		
WTUMD4215-15		
WTUMD 4515-15		
WTUMD 4815-15		

18" HIGH	LIST PRICE	COLUMN
WTUMD1818-15		
WTUMD2118-15		
WTUMD2418-15		
WTUMD2718-15		
WTUMD3018-15		
WTUMD3318-15		
WTUMD3618-15		
WTUMD3918-15		
WTUMD4218-15		
WTUMD 4518-15		
WTUMD 4818-15		

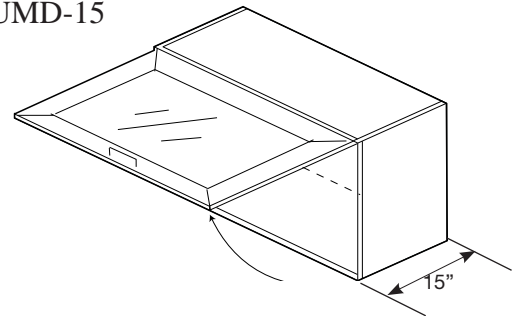
WALL FINISHED TILT UP SATIN ALUMINUM GLASS DOOR 12", 15", 18" HIGH

Modifications:

- o **Minimum Depth: 12 1/4"**
- o **Minimum Width: 15"**
- o **Minimum Height: 10"**

- **Same cabinet as above, but includes a finished interior and exterior; 3/4" construction**
- Interior and exterior will match other finished material on same order
- Edge banding will match same material and color
- 39" - 48" widths will have 3/4" thick vertical center partition. Partition will be visible.

WFTUMD-15



finished interior and exterior included

12" HIGH	LIST PRICE	COLUMN
WFTUMD1812-15		
WFTUMD2112-15		
WFTUMD2412-15		
WFTUMD2712-15		
WFTUMD3012-15		
WFTUMD3312-15		
WFTUMD3612-15		
WFTUMD3912-15		
WFTUMD4212-15		
WFTUMD4512-15		
WFTUMD4812-15		

15" HIGH	LIST PRICE	COLUMN
WFTUMD1815-15		
WFTUMD2115-15		
WFTUMD2415-15		
WFTUMD2715-15		
WFTUMD3015-15		
WFTUMD3315-15		
WFTUMD3615-15		
WFTUMD3915-15		
WFTUMD4215-15		
WFTUMD4515-15		
WFTUMD4815-15		

18" HIGH	LIST PRICE	COLUMN
WFTUMD1818-15		
WFTUMD2118-15		
WFTUMD2418-15		
WFTUMD2718-15		
WFTUMD3018-15		
WFTUMD3318-15		
WFTUMD3618-15		
WFTUMD3918-15		
WFTUMD4218-15		
WFTUMD4518-15		
WFTUMD4818-15		

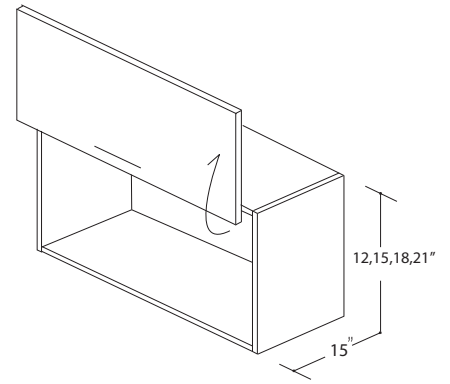
WALL CABINETS 15" DEEP

WALL LIFT UP DOOR

12", 15", 18", 21" HIGH

- Door pulls out and then lifts up staying in the same vertical plane.
- Stops in place in front of cabinet face above.
- Allows full access to cabinet interior
- 12"-18" high no shelving, 21" height includes one adjustable shelf
39" - 48" widths will have a 5/8" thick vertical center partition; 1- adjustable shelf each side of center partition on 39-48" widths

WLUMD-15



Modifications:

- o Minimum Depth: 12 1/4"
- o Minimum Width: 15"
- o Minimum Height: 10"

DESIGN TIP:

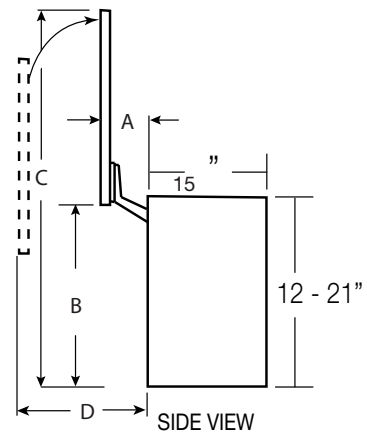
For a no handle look, and easy access opening; add the recessed bottom modification. See Modifications for details.

NOTES:

- Stile and Rail constructed door styles will have one center panel with no center stile.
- Modify to Frame A glass frame door (M-FD) is allowed for wood and paint finish door styles. See Modifications. Be aware that lift mechanism hardware will show, and cabinet interior is box material, not finished to match.

12" HIGH	LIST PRICE	COLUMN A
WLUD1812-15		
WLUD2112-15		
WLUD2412-15		
WLUD2712-15		
WLUD3012-15		
WLUD3312-15		
WLUD3612-15		
WLUD3912-15		
WLUD4212-15		
WLUD4512-15		
WLUD4812-15		

15" HIGH	LIST PRICE	COLUMN A
WLUD1815-15		
WLUD2115-15		
WLUD2415-15		
WLUD2715-15		
WLUD3015-15		
WLUD3315-15		
WLUD3615-15		
WLUD3915-15		
WLUD4215-15		
WLUD4515-15		
WLUD4815-15		



18" HIGH	LIST PRICE	COLUMN A
WLUD1818-15		
WLUD2118-15		
WLUD2418-15		
WLUD2718-15		
WLUD3018-15		
WLUD3318-15		
WLUD3618-15		
WLUD3918-15		
WLUD4218-15		
WLUD4518-15		
WLUD4818-15		

21" HIGH	LIST PRICE	COLUMN A
WLUD1821-15		
WLUD2121-15		
WLUD2421-15		
WLUD2721-15		
WLUD3021-15		
WLUD3321-15		
WLUD3621-15		
WLUD3921-15		
WLUD4221-15		
WLUD4521-15		
WLUD4821-15		

Clearance Chart				
Cabinet Ht.	A	B	C	D
12"	5 1/4"	10"	20"	7"
15"	6 1/2"	13 1/2"	27"	9"
18"	7 3/4"	17"	34"	11"
21"	9"	20 1/2"	41"	13"

NOTE: These dimensions apply to all Wall Lift Up Door Cabinets: WLUD, WLUMD, WFLUMD

WALL CABINETS 15" DEEP

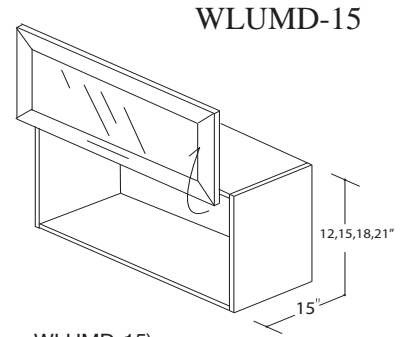
WALL LIFT UP METAL DOOR

12", 15", 18", 21" HIGH

- **Satin Aluminum Door with Acid Etched glass included.**
Door pulls out and then lifts up staying in the same vertical plane.
- Stops in place in front of cabinet face above.
- Allows full access to cabinet interior.
- 12"-18" high no shelving, 21" height includes one adjustable shelf; 1 each side of partition on 39-48" widths will have a 5/8" thick vertical center partition. Partition will be visible.

Modifications:

- o **Minimum Depth: 12 1/4"**
- o **Minimum Width: 15"**
- o **Minimum Height: 10"**



(Use same Clearance Chart from WLUMD-15)

12" HIGH	LIST PRICE	COLUMN
WLUMD1812-15		
WLUMD2112-15		
WLUMD2412-15		
WLUMD2712-15		
WLUMD3012-15		
WLUMD3312-15		
WLUMD3612-15		
WLUMD3912-15		
WLUMD4212-15		
WLUMD 4512-15		
WLUMD 4812-15		

15" HIGH	LIST PRICE	COLUMN
WLUMD1815-15		
WLUMD2115-15		
WLUMD2415-15		
WLUMD2715-15		
WLUMD3015-15		
WLUMD3315-15		
WLUMD3615-15		
WLUMD3915-15		
WLUMD4215-15		
WLUMD4515-15		
WLUMD4815-15		

18" HIGH	LIST PRICE	COLUMN
WLUMD1818-15		
WLUMD2118-15		
WLUMD2418-15		
WLUMD2718-15		
WLUMD3018-15		
WLUMD3318-15		
WLUMD3618-15		
WLUMD3918-15		
WLUMD4218-15		
WLUMD4518-15		
WLUMD4818-15		

21" HIGH	LIST PRICE	COLUMN
WLUMD1821-15		
WLUMD2121-15		
WLUMD2421-15		
WLUMD2721-15		
WLUMD3021-15		
WLUMD3321-15		
WLUMD3621-15		
WLUMD3921-15		
WLUMD4221-15		
WLUMD4521-15		
WLUMD4821-15		

WALL FINISHED LIFT UP METAL DOOR

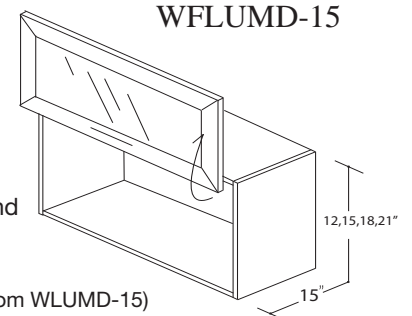
12", 15", 18", 21" HIGH

- **Same cabinet as above, but includes a finished interior and exterior; 3/4" construction**
- Interior and exterior will match other finished material on same order
- Edge banding will match same material and color
- 39" - 48" widths will have 3/4" thick vertical center partition. Partition will be visible.

Modifications:

- o **Minimum Depth: 12 1/4"**
- o **Minimum Width: 15"**
- o **Minimum Height: 10"**

finished interior and exterior included



(Use same Clearance Chart from WLUMD-15)

12" HIGH	LIST PRICE	COLUMN
WFLUMD1812-15		
WFLUMD2112-15		
WFLUMD2412-15		
WFLUMD2712-15		
WFLUMD3012-15		
WFLUMD3312-15		
WFLUMD3612-15		
WFLUMD3912-15		
WFLUMD4212-15		
WFLUMD4512-15		
WFLUMD4812-15		

15" HIGH	LIST PRICE	COLUMN
WFLUMD1815-15		
WFLUMD2115-15		
WFLUMD2415-15		
WFLUMD2715-15		
WFLUMD3015-15		
WFLUMD3315-15		
WFLUMD3615-15		
WFLUMD3915-15		
WFLUMD4215-15		
WFLUMD4515-15		
WFLUMD4815-15		

18" HIGH	LIST PRICE	COLUMN
WFLUMD1818-15		
WFLUMD2118-15		
WFLUMD2418-15		
WFLUMD2718-15		
WFLUMD3018-15		
WFLUMD3318-15		
WFLUMD3618-15		
WFLUMD3918-15		
WFLUMD4218-15		
WFLUMD4518-15		
WFLUMD4818-15		

21" HIGH	LIST PRICE	COLUMN
WFLUMD1821-15		
WFLUMD2121-15		
WFLUMD2421-15		
WFLUMD2721-15		
WFLUMD3021-15		
WFLUMD3321-15		
WFLUMD3621-15		
WFLUMD3921-15		
WFLUMD4221-15		
WFLUMD4521-15		
WFLUMD4821-15		

WALL CABINETS 15" DEEP

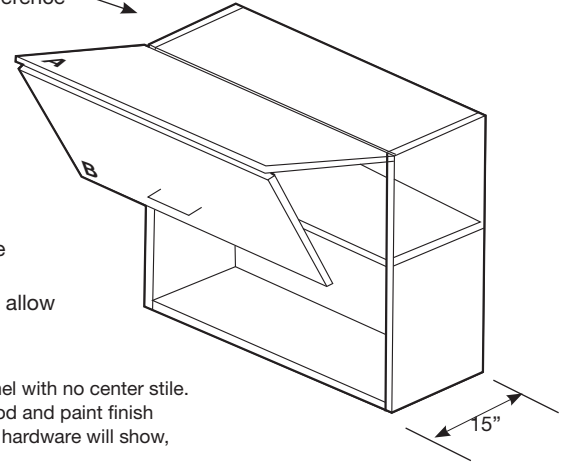
WALL BI-FOLD TILT UP DOOR

24", 27", 30", 33", 36" HIGH

- Provides a contemporary approach to wall cabinet storage.
- Top 'A' door is hinged to cabinet.
- Handle to be mounted on bottom rail of 'B' door.
- Second 'B' door is hinged to top door.
- Lift mechanism allows for smooth lift and bi-fold action, plus soft close.
- Doors are out of the way for easy access to storage.
- Includes adjustable shelf / shelves; same specs as standard wall cabinet.
- 39" – 48" widths will have a 5/8" vertical partition in the center of the cabinet. Adjustable shelves will fit each side of partition
- Note: Consider mounting height & ease of reach when designing with this cabinet; must allow clearance above for full lift motion. Be aware of crown molding interference.

Be aware of crown molding interference

WBTUD-15



Modifications:

- o Minimum Depth: 10"
- o Minimum Width: 12"
- o Minimum Height: 12"

NOTES:

- Stile and Rail constructed door styles will have one center panel with no center stile.
- Modify to Frame A glass frame door (M-FD) is allowed for wood and paint finish door styles. See Modifications. Be aware that lift mechanism hardware will show, and cabinet interior is box material, not finished to match.

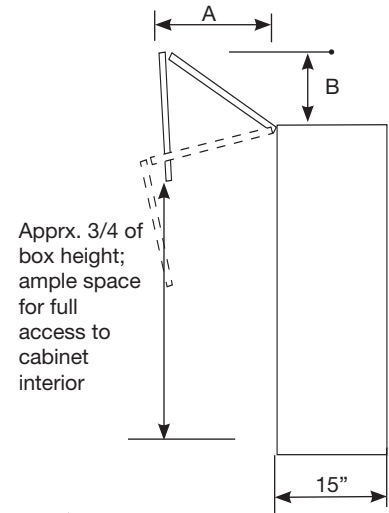
DESIGN TIP:

For a no handle look, and easy access opening; add the recessed bottom modification. See Modifications for details.

24" HEIGHT	LIST PRICE	COLUMN	27" HEIGHT	LIST PRICE	COLUMN
WBTUD2424-15			WBTUD2427-15		
WBTUD2724-15			WBTUD2727-15		
WBTUD3024-15			WBTUD3027-15		
WBTUD3324-15			WBTUD3327-15		
WBTUD3624-15			WBTUD3627-15		
WBTUD3924-15			WBTUD3927-15		
WBTUD4224-15			WBTUD4227-15		
WBTUD4524-15			WBTUD4527-15		
WBTUD4824-15			WBTUD4827-15		

30" HEIGHT	LIST PRICE	COLUMN	33" HEIGHT	LIST PRICE	COLUMN
WBTUD2430-15			WBTUD2433-15		
WBTUD2730-15			WBTUD2733-15		
WBTUD3030-15			WBTUD3033-15		
WBTUD3330-15			WBTUD3333-15		
WBTUD3630-15			WBTUD3633-15		
WBTUD3930-15			WBTUD3933-15		
WBTUD4230-15			WBTUD4233-15		
WBTUD4530-15			WBTUD4533-15		
WBTUD4830-15			WBTUD4833-15		

36" HEIGHT	LIST PRICE	COLUMN
WBTUD2436-15		
WBTUD2736-15		
WBTUD3036-15		
WBTUD3336-15		
WBTUD3636-15		
WBTUD3936-15		
WBTUD4236-15		
WBTUD4536-15		
WBTUD4836-15		



Cabinet Ht.	A	B
24"	13"	6 1/4"
27"	14 1/2"	7"
30"	15 1/4"	7 3/4"
33"	17 1/4"	8 1/4"
36"	19"	9"

NOTE: These dimensions apply to all Wall Bi-Fold Door Cabinets: WBTUD, WBTUMD, WFBTUMD

WALL CABINETS 15" DEEP

WALL BI-FOLD TILT UP METAL DOOR

24", 27", 30", 33", 36" HIGH

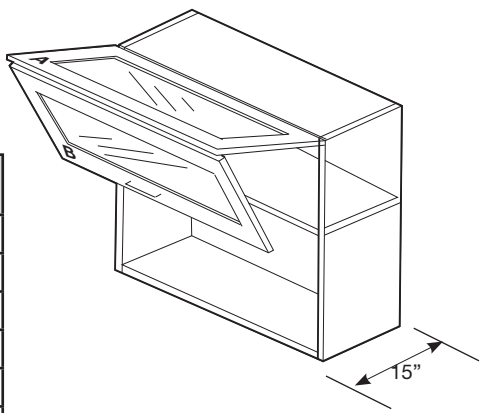
- Wall Bi-Fold tilt up with Satin Aluminum frame door with Acid Etched glass.
- Same details as WBTUD cabinet on previous page
- Includes adjustable shelf / shelves; same specs as standard wall cabinet.
- 39" – 48" widths will have a 5/8" vertical partition in the center of the cabinet. Adjustable shelves will fit each side of partition

Modifications:

- o Minimum Depth: 12 1/4"
- o Minimum Width: 15"
- o Minimum Height: 21"

24" HEIGHT	LIST PRICE	COLUMN
WBTUD2424-15		
WBTUD2724-15		
WBTUD3024-15		
WBTUD3324-15		
WBTUD3624-15		
WBTUD3924-15		
WBTUD4224-15		
WBTUD4524-15		
WBTUD4824-15		

27" HEIGHT	LIST PRICE	COLUMN
WBTUD2427-15		
WBTUD2727-15		
WBTUD3027-15		
WBTUD3327-15		
WBTUD3627-15		
WBTUD3927-15		
WBTUD4227-15		
WBTUD4527-15		
WBTUD4827-15		



WBTUMD-15

(Use same Clearance Chart from WBTUD-15)

30" HEIGHT	LIST PRICE	COLUMN
WBTUD2430-15		
WBTUD2730-15		
WBTUD3030-15		
WBTUD3330-15		
WBTUD3630-15		
WBTUD3930-15		
WBTUD4230-15		
WBTUD4530-15		
WBTUD4830-15		

33" HEIGHT	LIST PRICE	COLUMN
WBTUD2433-15		
WBTUD2733-15		
WBTUD3033-15		
WBTUD3333-15		
WBTUD3633-15		
WBTUD3933-15		
WBTUD4233-15		
WBTUD4533-15		
WBTUD4833-15		

36" HEIGHT	LIST PRICE	COLUMN
WBTUD2436-15		
WBTUD2736-15		
WBTUD3036-15		
WBTUD3336-15		
WBTUD3636-15		
WBTUD3936-15		
WBTUD4236-15		
WBTUD4536-15		
WBTUD4836-15		

WALL FINISHED BI-FOLD TILT UP METAL DOOR

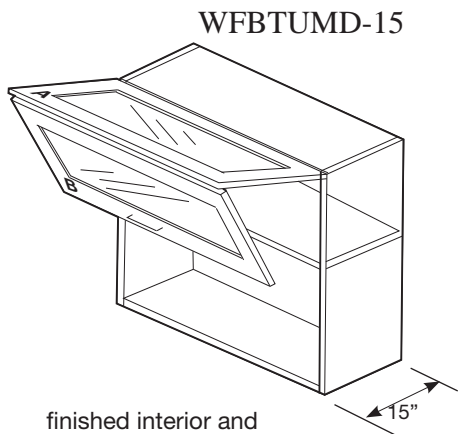
- Same cabinet and details as above, but includes a finished interior and exterior; 3/4" construction
- Box edge banding will match same material and color

Modifications:

- o Minimum Depth: 12 1/4"
- o Minimum Width: 15"
- o Minimum Height: 21"

24" HEIGHT	LIST PRICE	COLUMN
WFBTUMD2424-15		
WFBTUMD2724-15		
WFBTUMD3024-15		
WFBTUMD3324-15		
WFBTUMD3624-15		
WFBTUMD3924-15		
WFBTUMD4224-15		
WFBTUMD4524-15		
WFBTUMD4824-15		

27" HEIGHT	LIST PRICE	COLUMN
WFBTUMD2427-15		
WFBTUMD2727-15		
WFBTUMD3027-15		
WFBTUMD3327-15		
WFBTUMD3627-15		
WFBTUMD3927-15		
WFBTUMD4227-15		
WFBTUMD4527-15		
WFBTUMD4827-15		



WFBTUMD-15

finished interior and exterior included

(Use same Clearance Chart from WBTUD-15)

30" HEIGHT	LIST PRICE	COLUMN
WFBTUMD2430-15		
WFBTUMD2730-15		
WFBTUMD3030-15		
WFBTUMD3330-15		
WFBTUMD3630-15		
WFBTUMD3930-15		
WFBTUMD4230-15		
WFBTUMD4530-15		
WFBTUMD4830-15		

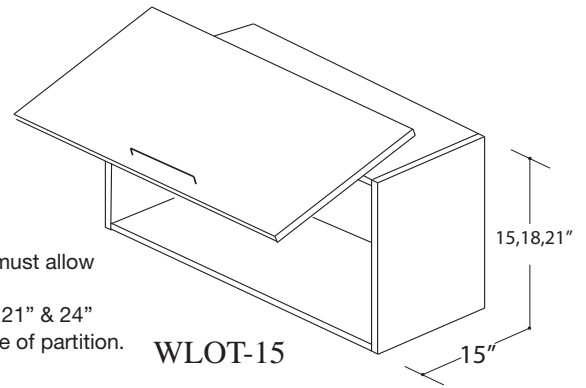
33" HEIGHT	LIST PRICE	COLUMN
WFBTUMD2433-15		
WFBTUMD2733-15		
WFBTUMD3033-15		
WFBTUMD3333-15		
WFBTUMD3633-15		
WFBTUMD3933-15		
WFBTUMD4233-15		
WFBTUMD4533-15		
WFBTUMD4833-15		

36" HEIGHT	LIST PRICE	COLUMN
WFBTUMD2436-15		
WFBTUMD2736-15		
WFBTUMD3036-15		
WFBTUMD3336-15		
WFBTUMD3636-15		
WFBTUMD3936-15		
WFBTUMD4236-15		
WFBTUMD4536-15		
WFBTUMD4836-15		

WALL CABINETS 15" DEEP

WALL LIFT OVER TOP 15", 18", 21" HIGH

- Provides a contemporary approach to wall cabinet storage.
- Door is hinged to cabinet with special tilt system allowing door to tilt over the top of the cabinet providing easy access.
- Mechanism allows for smooth lift, plus soft close.
- Adjustable shelf starts at 21" height
- Note: Consider mounting height & ease of reach when designing with this cabinet; must allow clearance above for full lift motion. Be aware of crown molding interference.
- Note: 39" – 48" widths will have a 5/8" vertical partition in the center of the cabinet. 21" & 24" heights get one adjustable shelf. On 39-48" widths, adjustable shelf will be each side of partition.



Modifications:
o Minimum Depth: 12 1/4"
o Minimum Width: 15"
o Minimum Height: 10"

NOTES:

- Stile and Rail constructed door styles will have one center panel with no center stile.
- Modify to Frame A glass frame door (M-FD) is allowed for wood and paint finish door styles. See Modifications. Be aware that lift mechanism hardware will show, and cabinet interior is box material, not finished to match.

DESIGN TIP:

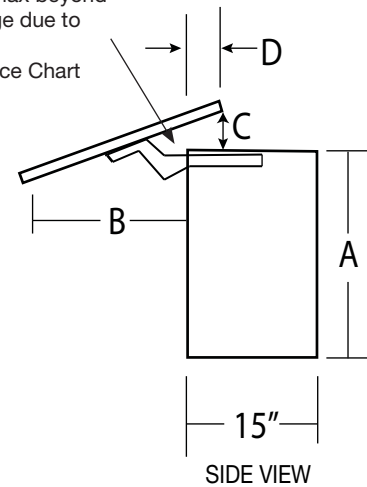
For a no handle look, and easy access opening; add the recessed bottom modification. See Modifications for details.

15" HIGH	LIST PRICE	COLUMN
WLOT1815-15		
WLOT2115-15		
WLOT2415-15		
WLOT2715-15		
WLOT3015-15		
WLOT3315-15		
WLOT3615-15		
WLOT3915-15		
WLOT4215-15		
WLOT4515-15		
WLOT4815-15		

18" HIGH	LIST PRICE	COLUMN
WLOT1818-15		
WLOT2118-15		
WLOT2418-15		
WLOT2718-15		
WLOT3018-15		
WLOT3318-15		
WLOT3618-15		
WLOT3918-15		
WLOT4218-15		
WLOT4518-15		
WLOT4818-15		

21" HIGH	LIST PRICE	COLUMN
WLOT1821-15		
WLOT2121-15		
WLOT2421-15		
WLOT2721-15		
WLOT3021-15		
WLOT3321-15		
WLOT3621-15		
WLOT3921-15		
WLOT4221-15		
WLOT4521-15		
WLOT4821-15		

Traditional crowns are not recommended. 4" height clearance at face edge of box. 1 1/4" max beyond box face edge due to hinge. (See Clearance Chart below)



Clearance Chart			
A	B	C	D
15"	10"	5 5/8"	3 3/4"
18"	12 3/4"	5 5/8"	3 3/4"
21"	15 1/2"	5 5/8"	3 3/4"

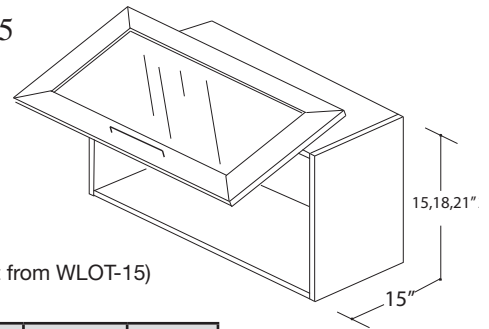
NOTE: These dimensions apply to all Wall Bi-Fold Door Cabinets: WBTUD, WBTUMD, WFBTUMD

WALL CABINETS 15" DEEP

WALL LIFT OVER TOP METAL DOOR 15", 18", 21" HIGH

WLOTMD-15

- Wall Lift Over Top with Satin Aluminum frame door with Acid Etched glass.
- Same details as WLOT cabinet on previous page



(Use same Clearance Chart from WLOT-15)

Modifications:

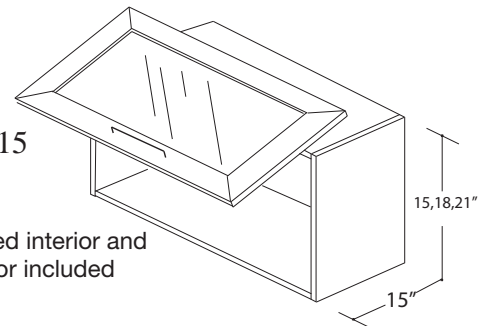
- o Minimum Depth: 12 1/4"
- o Minimum Width: 15"
- o Minimum Height: 10"

15" HIGH	LIST PRICE	COLUMN	18" HIGH	LIST PRICE	COLUMN	21" HIGH	LIST PRICE	COLUMN
WLOTMD1815-15			WLOTMD1818-15			WLOTMD1821-15		
WLOTMD2115-15			WLOTMD2118-15			WLOTMD2121-15		
WLOTMD2415-15			WLOTMD2418-15			WLOTMD2421-15		
WLOTMD2715-15			WLOTMD2718-15			WLOTMD2721-15		
WLOTMD3015-15			WLOTMD3018-15			WLOTMD3021-15		
WLOTMD3315-15			WLOTMD3318-15			WLOTMD3321-15		
WLOTMD3615-15			WLOTMD3618-15			WLOTMD3621-15		
WLOTMD3915-15			WLOTMD3918-15			WLOTMD3921-15		
WLOTMD4215-15			WLOTMD4218-15			WLOTMD4221-15		
WLOTMD4515-15			WLOTMD4518-15			WLOTMD4521-15		
WLOTMD4815-15			WLOTMD4818-15			WLOTMD4821-15		

WALL FINISHED LIFT OVER TOP METAL DOOR

- Same cabinet and details as previous page but includes a finished interior and exterior; 3/4" construction
- Box edge banding will match same material and color

WFLOTMD-15



finished interior and exterior included

(Use same Clearance Chart from WLOT-15)

Modifications:

- o Minimum Depth: 12 1/4"
- o Minimum Width: 15"
- o Minimum Height: 10"

15" HIGH	LIST PRICE	COLUMN	18" HIGH	LIST PRICE	COLUMN	21" HIGH	LIST PRICE	COLUMN
WFLOTMD1815-15			WFLOTMD1818-15			WFLOTMD1821-15		
WFLOTMD2115-15			WFLOTMD2118-15			WFLOTMD2121-15		
WFLOTMD2415-15			WFLOTMD2418-15			WFLOTMD2421-15		
WFLOTMD2715-15			WFLOTMD2718-15			WFLOTMD2721-15		
WFLOTMD3015-15			WFLOTMD3018-15			WFLOTMD3021-15		
WFLOTMD3315-15			WFLOTMD3318-15			WFLOTMD3321-15		
WFLOTMD3615-15			WFLOTMD3618-15			WFLOTMD3621-15		
WFLOTMD3915-15			WFLOTMD3918-15			WFLOTMD3921-15		
WFLOTMD4215-15			WFLOTMD4218-15			WFLOTMD4221-15		
WFLOTMD4515-15			WFLOTMD4518-15			WFLOTMD4521-15		
WFLOTMD4815-15			WFLOTMD4818-15			WFLOTMD4821-15		

WALL CABINETS 15" DEEP

WALL FINISHED OPEN TILT-UP DOOR BOTTOM

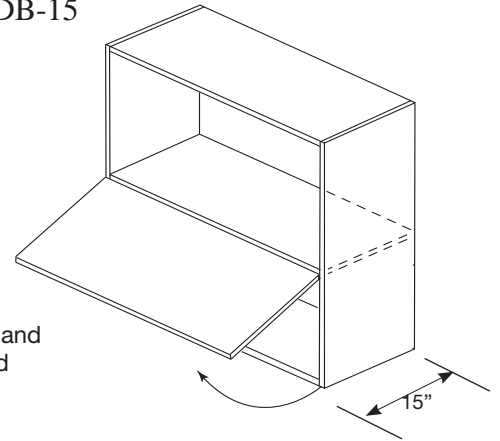
24", 30", 36" TOTAL HEIGHT

- Wall Open Finished Interior cabinet that includes a Tilt Up door on the bottom section of the cabinet.
- The tilt up door can be modified to wood glass door (M-FD); see PageMO.101
- **Cabinet box is 3/4" thick material, and finished on all interior and exterior surfaces;** edgebanding will match door material and color.
- 39"-48" widths will have a 3/4" thick center vertical partition in both sections.
- Bottom door height = the same door height as a wall 12" (for 24" height); wall 15" (for 30" height); and wall 18" (for 36" height).
- No adjustable shelves; and no line boring.

Modifications:

- Minimum Depth: 12 1/4"
- Minimum Width: 15"
- Minimum Height: 21"

WOTDB-15



finished interior and exterior included

NOTES:

- Stile and Rail constructed door styles will have one center panel with no center stile.
- Modify to Frame A glass frame door (M-FD) is allowed for wood and paint finish door styles. See Modifications. Be aware that lift mechanism hardware will show, and cabinet interior is box material, not finished to match.

24" HIGH	LIST PRICE	COLUMN
WOTDB1824-15		
WOTDB2124-15		
WOTDB2424-15		
WOTDB2724-15		
WOTDB3024-15		
WOTDB3324-15		
WOTDB3624-15		
WOTDB3924-15		
WOTDB4224-15		
WOTDB4524-15		
WOTDB4824-15		

30" HIGH	LIST PRICE	COLUMN
WOTDB1830-15		
WOTDB2130-15		
WOTDB2430-15		
WOTDB2730-15		
WOTDB3030-15		
WOTDB3330-15		
WOTDB3630-15		
WOTDB3930-15		
WOTDB4230-15		
WOTDB4530-15		
WOTDB4830-15		

36" HIGH	LIST PRICE	COLUMN
WOTDB1836-15		
WOTDB2136-15		
WOTDB2436-15		
WOTDB2736-15		
WOTDB3036-15		
WOTDB3336-15		
WOTDB3636-15		
WOTDB3936-15		
WOTDB4236-15		
WOTDB4536-15		
WOTDB4836-15		

WALL FINISHED OPEN TILT-UP METAL DOOR BOTTOM

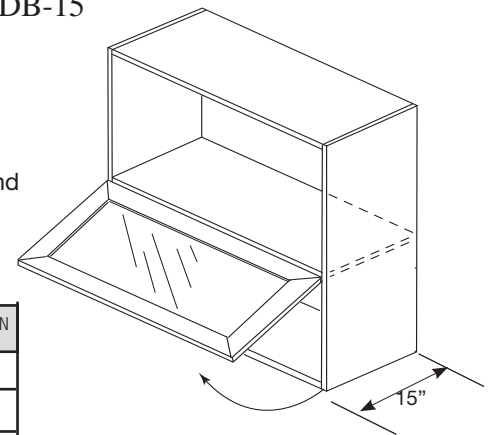
WOTMDB-15

- Same cabinet as above, but includes Satin Aluminum frame door with Acid Etched glass.
- Interior and exterior will match other finished material on same order
- Edge banding will match same material and color
- 39" - 48" widths will have 3/4" thick vertical center partition in both sections

Modifications:

- Minimum Depth: 12 1/4"
- Minimum Width: 15"
- Minimum Height: 21"

finished interior and exterior included



24" HIGH	LIST PRICE	COLUMN
WOTMDB1824-15		
WOTMDB2124-15		
WOTMDB2424-15		
WOTMDB2724-15		
WOTMDB3024-15		
WOTMDB3324-15		
WOTMDB3624-15		
WOTMDB3924-15		
WOTMDB4224-15		
WOTMDB4524-15		
WOTMDB4824-15		

30" HIGH	LIST PRICE	COLUMN
WOTMDB1830-15		
WOTMDB2130-15		
WOTMDB2430-15		
WOTMDB2730-15		
WOTMDB3030-15		
WOTMDB3330-15		
WOTMDB3630-15		
WOTMDB3930-15		
WOTMDB4230-15		
WOTMDB4530-15		
WOTMDB4830-15		

36" HIGH	LIST PRICE	COLUMN
WOTMDB1836-15		
WOTMDB2136-15		
WOTMDB2436-15		
WOTMDB2736-15		
WOTMDB3036-15		
WOTMDB3336-15		
WOTMDB3636-15		
WOTMDB3936-15		
WOTMDB4236-15		
WOTMDB4536-15		
WOTMDB4836-15		

WALL CABINETS 15" DEEP

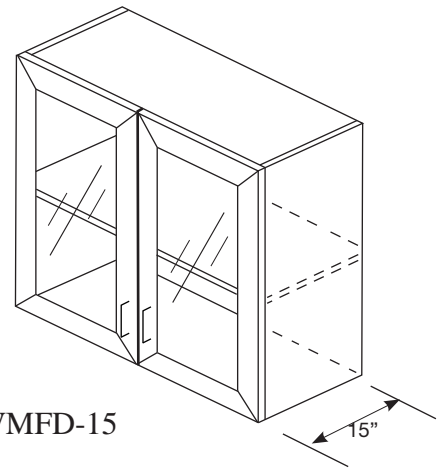
WALL METAL FRAME DOOR - 15" DEEP

12", 15", 18" HIGH (No SHELVES) | 21", 24", 27" HIGH (1 SHELF)

- Doors have 2 1/8" wide satin aluminum frame with acid etched glass included.
- 12" - 21" wide cabinets will have a single door, specify hinge left or right.
- 24" - 42" wide cabinets will have double doors of equal width.
- 39" and 42" wide cabinets will have 5/8" thick vertical center partition with independently adjustable shelves on each side.

Modifications:

- Minimum Depth: 12 1/4"
- Minimum Width: 12"
- Minimum Height: 10"



WMFD-15

12" HIGH 15" DEEP	LIST PRICE	COLUMN B	15" HIGH 15" DEEP	LIST PRICE	COLUMN B	18" HIGH 15" DEEP	LIST PRICE	COLUMN B
WMFD1212-15			WMFD1215-15			WMFD1218-15		
WMFD13.512-15			WMFD13.515-15			WMFD13.518-15		
WMFD1512-15			WMFD1515-15			WMFD1518-15		
WMFD16.512-15			WMFD16.515-15			WMFD16.518-15		
WMFD1812-15			WMFD1815-15			WMFD1818-15		
WMFD19.512-15			WMFD19.515-15			WMFD19.518-15		
WMFD2112-15			WMFD2115-15			WMFD2118-15		
WMFD2412-15			WMFD2415-15			WMFD2418-15		
WMFD2712-15			WMFD2715-15			WMFD2718-15		
WMFD3012-15			WMFD3015-15			WMFD3018-15		
WMFD3312-15			WMFD3315-15			WMFD3318-15		
WMFD3612-15			WMFD3615-15			WMFD3618-15		
WMFD3912-15			WMFD3915-15			WMFD3918-15		
WMFD4212-15			WMFD4215-15			WMFD4218-15		

21" HIGH 15" DEEP	LIST PRICE	COLUMN B	24" HIGH 15" DEEP	LIST PRICE	COLUMN B	27" HIGH 15" DEEP	LIST PRICE	COLUMN B
WMFD1221-15			WMFD1224-15			WMFD1227-15		
WMFD13.521-15			WMFD13.524-15			WMFD13.527-15		
WMFD1521-15			WMFD1524-15			WMFD1527-15		
WMFD16.521-15			WMFD16.524-15			WMFD16.527-15		
WMFD1821-15			WMFD1824-15			WMFD1827-15		
WMFD19.521-15			WMFD19.524-15			WMFD19.527-15		
WMFD2121-15			WMFD2124-15			WMFD2127-15		
WMFD2421-15			WMFD2424-15			WMFD2427-15		
WMFD2721-15			WMFD2724-15			WMFD2727-15		
WMFD3021-15			WMFD3024-15			WMFD3027-15		
WMFD3321-15			WMFD3324-15			WMFD3327-15		
WMFD3621-15			WMFD3624-15			WMFD3627-15		
WMFD3921-15			WMFD3924-15			WMFD3927-15		
WMFD4221-15			WMFD4224-15			WMFD4227-15		

WALL CABINETS 15" DEEP

WALL METAL FRAME DOOR - 15" DEEP

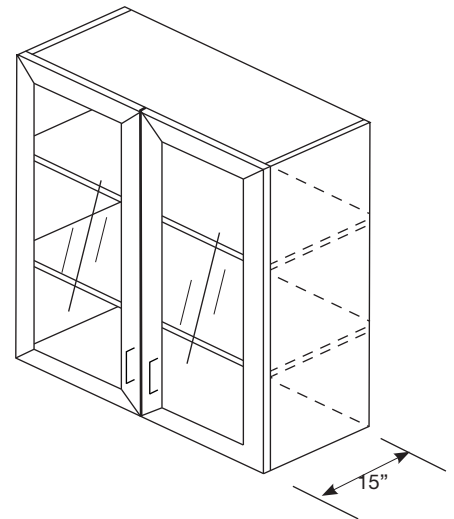
30", 33", 36", 39" HIGH (2 SHELVES) | 42" HIGH (3 SHELVES)

- Doors have 2 1/8" wide satin aluminum frame with acid etched glass included.
- 12" - 21" wide cabinets will have a single door, specify hinge left or right.
- 24" - 42" wide cabinets will have double doors of equal width.
- 39" and 42" wide cabinets will have 5/8" thick vertical center partition with independently adjustable shelves on each side.
- Sides and back will have vertical pattern/grain direction in all door styles except Waves, in which case the pattern will be horizontal.

Modifications:

- Minimum Depth: 12 1/4"
- Minimum Width: 12"
- Minimum Height: 10"

WMFD-15



30" HIGH 15" DEEP	LIST PRICE	COLUMN B
WMFD1230-15		
WMFD13.530-15		
WMFD1530-15		
WMFD16.530-15		
WMFD1830-15		
WMFD19.530-15		
WMFD2130-15		
WMFD2430-15		
WMFD2730-15		
WMFD3030-15		
WMFD3330-15		
WMFD3630-15		
WMFD3930-15		
WMFD4230-15		

33" HIGH 15" DEEP	LIST PRICE	COLUMN B
WMFD1233-15		
WMFD13.533-15		
WMFD1533-15		
WMFD16.533-15		
WMFD1833-15		
WMFD19.533-15		
WMFD2133-15		
WMFD2433-15		
WMFD2733-15		
WMFD3033-15		
WMFD3333-15		
WMFD3633-15		
WMFD3933-15		
WMFD4233-15		

36" HIGH 15" DEEP	LIST PRICE	COLUMN B
WMFD1236-15		
WMFD13.536-15		
WMFD1536-15		
WMFD16.536-15		
WMFD1836-15		
WMFD19.536-15		
WMFD2136-15		
WMFD2436-15		
WMFD2736-15		
WMFD3036-15		
WMFD3336-15		
WMFD3636-15		
WMFD3936-15		
WMFD4236-15		

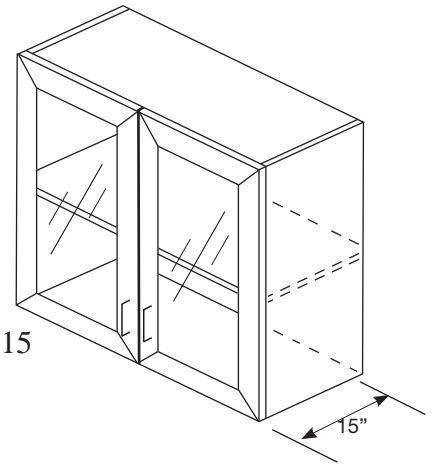
39" HIGH 15" DEEP	LIST PRICE	COLUMN B
WMFD1239-15		
WMFD13.539-15		
WMFD1539-15		
WMFD16.539-15		
WMFD1839-15		
WMFD19.539-15		
WMFD2139-15		
WMFD2439-15		
WMFD2739-15		
WMFD3039-15		
WMFD3339-15		
WMFD3639-15		
WMFD3939-15		
WMFD4239-15		

42" HIGH 15" DEEP	LIST PRICE	COLUMN B
WMFD1242-15		
WMFD13.542-15		
WMFD1542-15		
WMFD16.542-15		
WMFD1842-15		
WMFD19.542-15		
WMFD2142-15		
WMFD2442-15		
WMFD2742-15		
WMFD3042-15		
WMFD3342-15		
WMFD3642-15		
WMFD3942-15		
WMFD4242-15		

WALL CABINETS 15" DEEP

WALL FINISHED INTERIOR METAL FRAME DOOR - 15" DEEP INCLUDES FINISHED INTERIOR
12", 15", 18" HIGH (NO SHELVES) | 21", 24", 27" HIGH (1 SHELF)

- ALL INTERIOR AND EXTERIOR SURFACES ARE FINISHED TO MATCH.
- CONSTRUCTED WITH 3/4" THICK BOX MATERIAL
- Doors have 2 1/8" wide satin aluminum frame with acid etched glass included.
- 12" - 21" wide cabinets will have a single door, specify hinge left or right.
- 24" - 36" wide cabinets will have double doors of equal width.
- Sides and back will have vertical pattern/grain direction in all door styles except Waves, in which case the pattern will be horizontal.



Modifications:

- o Minimum Depth: 12 1/4"
- o Minimum Width: 12"
- o Minimum Height: 10"

12" HIGH 15" DEEP	LIST PRICE	COLUMN B	15" HIGH 15" DEEP	LIST PRICE	COLUMN B	18" HIGH 15" DEEP	LIST PRICE	COLUMN B
WFMFD1212-15			WFMFD1215-15			WFMFD1218-15		
WFMFD13.512-15			WFMFD13.515-15			WFMFD13.518-15		
WFMFD1512-15			WFMFD1515-15			WFMFD15218-15		
WFMFD16.512-15			WFMFD16.515-15			WFMFD16.518-15		
WFMFD1812-15			WFMFD1815-15			WFMFD1818-15		
WFMFD19.512-15			WFMFD19.515-15			WFMFD19.518-15		
WFMFD2112-15			WFMFD2115-15			WFMFD2118-15		
WFMFD2412-15			WFMFD2415-15			WFMFD2418-15		
WFMFD2712-15			WFMFD2715-15			WFMFD2718-15		
WFMFD3012-15			WFMFD3015-15			WFMFD3018-15		
WFMFD3312-15			WFMFD3315-15			WFMFD3318-15		
WFMFD3612-15			WFMFD3615-15			WFMFD3618-15		

21" HIGH 15" DEEP	LIST PRICE	COLUMN B	24" HIGH 15" DEEP	LIST PRICE	COLUMN B	27" HIGH 15" DEEP	LIST PRICE	COLUMN B
WFMFD1221-15			WFMFD1224-15			WFMFD1227-15		
WFMFD13.521-15			WFMFD13.524-15			WFMFD13.527-15		
WFMFD1521-15			WFMFD1524-15			WFMFD1527-15		
WFMFD16.521-15			WFMFD16.524-15			WFMFD16.527-15		
WFMFD1821-15			WFMFD1824-15			WFMFD1827-15		
WFMFD19.521-15			WFMFD19.524-15			WFMFD19.527-15		
WFMFD2121-15			WFMFD2124-15			WFMFD2127-15		
WFMFD2421-15			WFMFD2424-15			WFMFD2427-15		
WFMFD2721-15			WFMFD2724-15			WFMFD2727-15		
WFMFD3021-15			WFMFD3024-15			WFMFD3027-15		
WFMFD3321-15			WFMFD3324-15			WFMFD3327-15		
WFMFD3621-15			WFMFD3624-15			WFMFD3627-15		

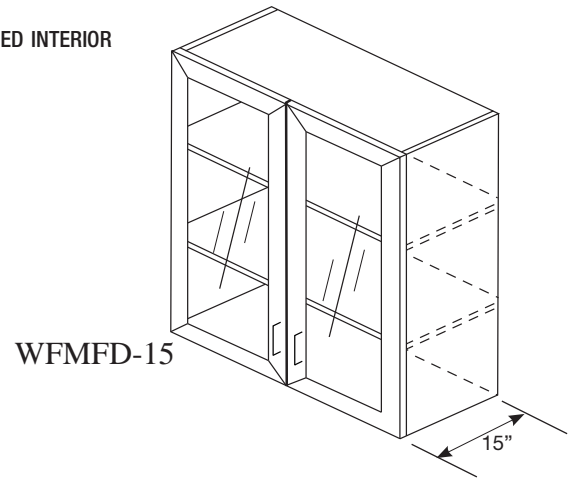
WALL CABINETS 15" DEEP

WALL FINISHED INTERIOR METAL FRAME DOOR - 15" DEEP INCLUDES FINISHED INTERIOR
30", 33", 36", 39" HIGH (2 SHELVES) | 42" HIGH (3 SHELVES)

- ALL INTERIOR AND EXTERIOR SURFACES ARE FINISHED TO MATCH.
- Doors have 2 1/8" wide satin aluminum frame with acid etched glass included.
- 12" - 21" wide cabinets will have a single door, specify hinge left or right.
- 24" - 36" wide cabinets will have double doors of equal width.

Modifications:

- Minimum Depth: 12 1/4"
- Minimum Width: 12"
- Minimum Height: 10"



30" HIGH 15" DEEP	LIST PRICE	COLUMN B	33" HIGH 15" DEEP	LIST PRICE	COLUMN B	36" HIGH 15" DEEP	LIST PRICE	COLUMN B
WFMFD1230-15			WFMFD1233-15			WFMFD1236-15		
WFMFD13.530-15			WFMFD13.533-15			WFMFD13.536-15		
WFMFD1530-15			WFMFD1533-15			WFMFD1536-15		
WFMFD16.530-15			WFMFD16.533-15			WFMFD16.536-15		
WFMFD1830-15			WFMFD1833-15			WFMFD1836-15		
WFMFD19.530-15			WFMFD19.533-15			WFMFD19.536-15		
WFMFD2130-15			WFMFD2133-15			WFMFD2136-15		
WFMFD2430-15			WFMFD2433-15			WFMFD2436-15		
WFMFD2730-15			WFMFD2733-15			WFMFD2736-15		
WFMFD3030-15			WFMFD3033-15			WFMFD3036-15		
WFMFD3330-15			WFMFD3333-15			WFMFD3336-15		
WFMFD3630-15			WFMFD3633-15			WFMFD3636-15		

39" HIGH 15" DEEP	LIST PRICE	COLUMN B	42" HIGH 15" DEEP	LIST PRICE	COLUMN B
WFMFD1239-15			WFMFD1242-15		
WFMFD13.539-15			WFMFD13.542-15		
WFMFD1539-15			WFMFD1542-15		
WFMFD16.539-15			WFMFD16.542-15		
WFMFD1839-15			WFMFD1842-15		
WFMFD19.539-15			WFMFD19.542-15		
WFMFD2139-15			WFMFD2142-15		
WFMFD2439-15			WFMFD2442-15		
WFMFD2739-15			WFMFD2742-15		
WFMFD3039-15			WFMFD3042-15		
WFMFD3339-15			WFMFD3342-15		
WFMFD3639-15			WFMFD3642-15		

WALL CABINETS 15" DEEP

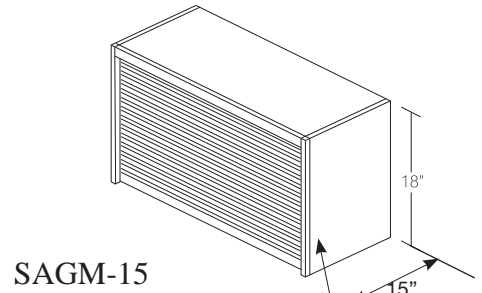
STRAIGHT APPLIANCE GARAGE METAL TAMBOUR 18" HIGH - 15" DEEP

- No bottom on cabinet.
- Brushed metal-look tambour only.
- Interior is box material.
- 18" high = 13 5/8" height clearance when tambour is fully opened.
- 48" high = 43 1/2" height clearance when tambour is fully opened.
- 48" high version includes 3 adjustable shelves; usable depth is 13 3/4".

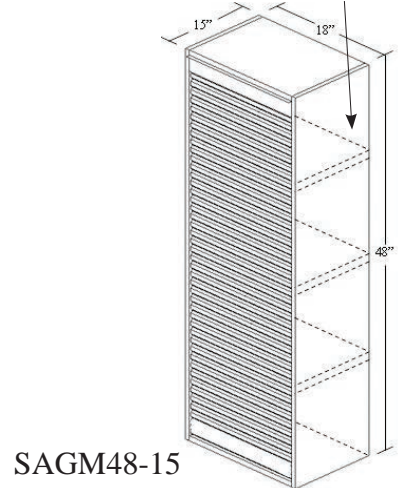
• **No modifications.**

18" HIGH 15" DEEP	LIST PRICE	COLUMN B
SAGM2418-15		
SAGM2718-15		
SAGM3018-15		
SAGM3318-15		
SAGM3618-15		

48" HIGH 15" DEEP	LIST PRICE	COLUMN B
SAGM1848-15		



factory finished ends included

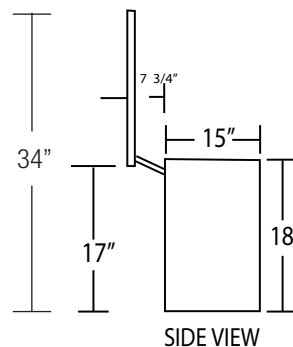
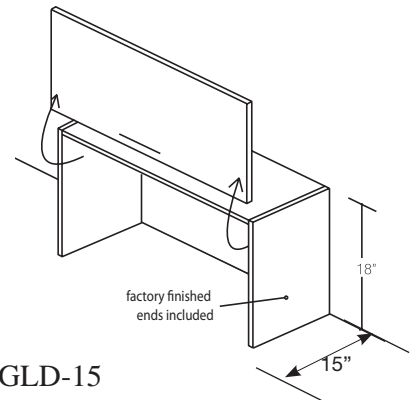


STRAIGHT APPLIANCE GARAGE LIFT UP DOOR 18" HIGH - 15" DEEP

- Appliance garage with door lift-up mechanism. Door pulls out and then lifts up staying in the same vertical plane. Locks in place in front of cabinet face above. Allows full access to cabinet interior.
- Door overlays cabinet box and will align with cabinets above.
- 17" height clearance when door is fully opened.
- 7" clearance between opened door and door face of cabinet above SAGLD.
- Interior is box material.
- Finished ends included.

Modifications:
o Minimum Depth: 12 1/4"
o Minimum Width: 15"
o Minimum Height: 10"

18" HIGH 15" DEEP	LIST PRICE	COLUMN A
SAGLD1818-15		
SAGLD2118-15		
SAGLD2418-15		
SAGLD2718-15		
SAGLD3018-15		
SAGLD3318-15		
SAGLD3618-15		



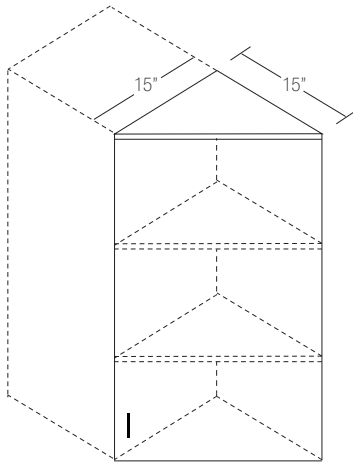
WALL CABINETS 15" DEEP

WALL TRIANGLE END 15" DEEP

- Two fixed shelves, three shelves on 42" high.
- Use at end of run.
- Specify left or right.
- Factory finished ends are not available.

Modifications:

- Minimum Depth: N/A
- Minimum Width: N/A
- Minimum Height: 10"



WTE-15

Hinge R shown

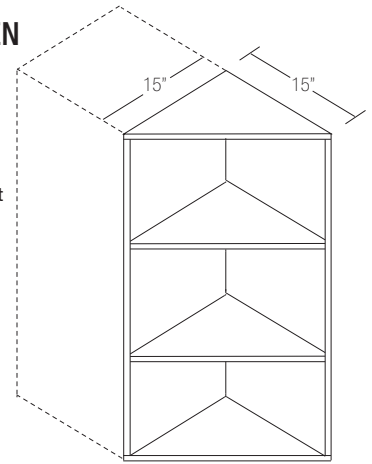
	LIST PRICE	COLUMN A
WTE1530-15		
WTE1533-15		
WTE1536-15		
WTE1539-15		
WTE1542-15		

WALL TRIANGLE END OPEN 15" DEEP

- Cabinets constructed with 3/4" thick sides, top, bottom, and shelves
- Two fixed shelves, three shelves at 42" high.
- Use at end of run.
- Specify left or right.
- Factory finished ends are not available.

Modifications:

- Minimum Depth: N/A
- Minimum Width: N/A
- Minimum Height: 10"



WTEO-15

Hinge R shown

	LIST PRICE	COLUMN A
WTEO1530-15		
WTEO1533-15		
WTEO1536-15		
WTEO1539-15		
WTEO1542-15		

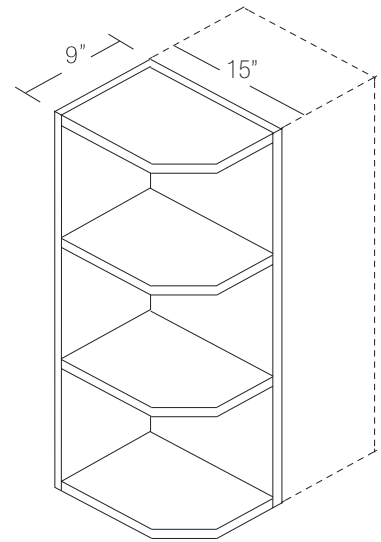
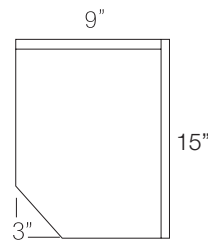
WALL OPEN END ANGLE 15" DEEP

- Cabinets constructed with 3/4" thick sides, top, bottom, and shelves.
- Two fixed shelves 30 -39" high; 3 @ 42" high
- All interior and exterior surfaces are finished to match.
- Case edge band is real wood veneer 'tape' on wood door orders.
- The A grade side of wood veneers will be placed on the interior side of the cabinet unless a finished end is specified, in which case the 'A' side will be used on the exterior side. There is no additional charge for finished ends on this open cabinet.

Modifications:

- Minimum Depth: N/A
- Minimum Width: N/A
- Minimum Height: 10"

	LIST PRICE	COLUMN B
WOE930-15		
WOE933-15		
WOE936-15		
WOE939-15		
WOE942-15		



WOEA-15

Hinge L shown

WOOD HOODS - GENERAL INFORMATION

The wood hoods on the following pages are manufactured using fine wood veneers and solids. Veneer components are always on a plywood core.

Hoods are available in the standard woods of: Red Oak, Alder, Cherry, Maple, and Paint finish.

Most wood hoods can be ordered without the blower and liner assembly, although this is not recommended. Dealer would then be responsible for adapting the hood to a different blower/liner unit.

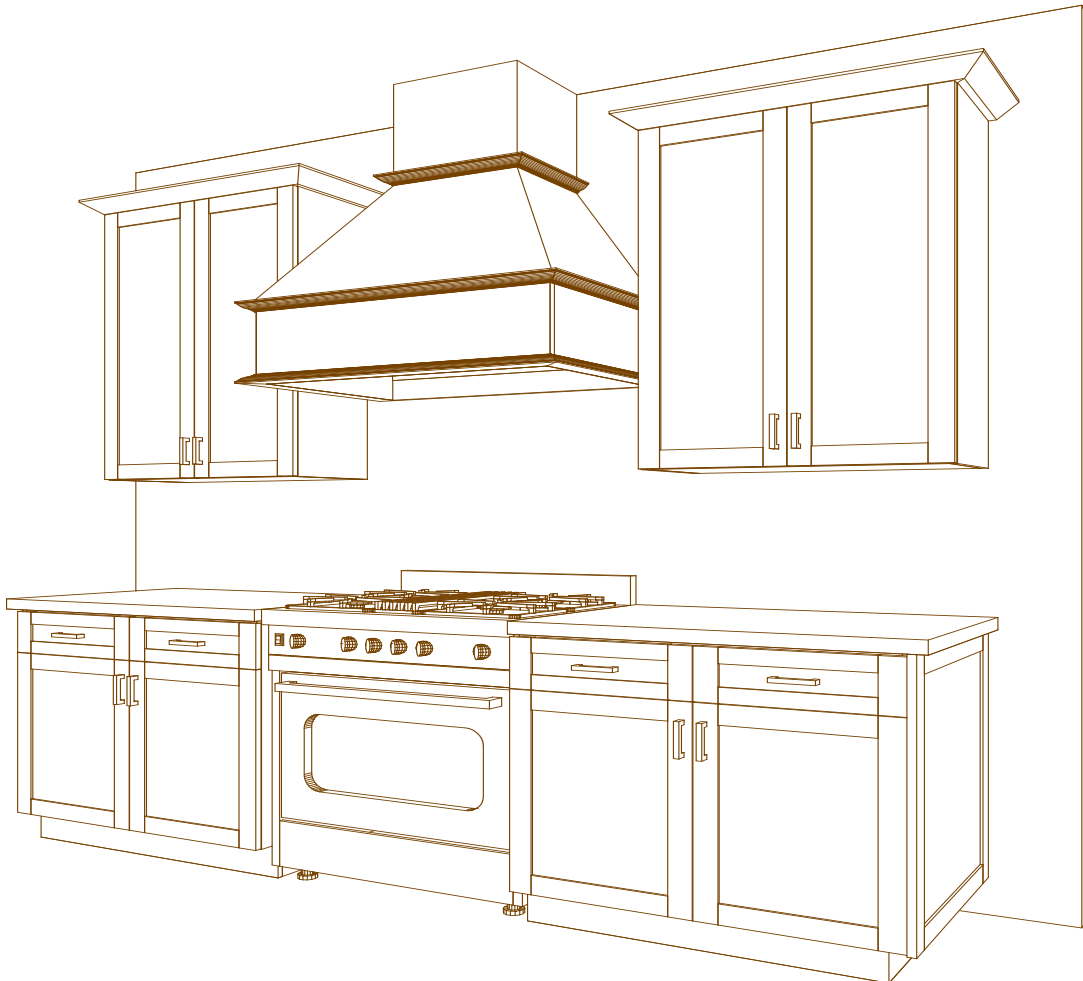
Hood material and finish will match the rest of the cabinet order unless specified differently on a separate order. Applicable finish up charges will apply, such as glazing up charges.

Details of available sizes, blower units, and styling are included on the individual wood hood pages.

Installation is the responsibility of the dealer or contractor, and should be in compliance with all local building codes. Blower assemblies include a damper, but do not include ducting; this is the responsibility of the dealer/contractor. Recommended mounting height is 30" (plus or minus 2") from the cooking surface to the bottom edge of the hood. Many of the hood styles will be wider than the actual cooking appliance.

Pay careful attention to clearances when designing with hood styles that rest on the countertop surface.

The wood components of these hoods are subject to the Limited Lifetime Warranty as detailed in the Information section of this catalog. Mechanical components - blower, liner, ducting, switches, lighting; are subject to the specific manufacturers warranty, and are not covered by the Latitude warranty.



WOOD HOODS

**EACH HOOD HAS SELECT BLOWER SYSTEMS AVAILABLE; SEE INDIVIDUAL DETAIL PAGES FOR THIS INFORMATION.
WARRANTIES FOR THESE BLOWER AND LINER UNITS ARE SPECIFIC TO THE MANUFACTURER, NOT LATITUDE'S WARRANTY.**



B-390 BROAN 390 CFM BLOWER UNIT

- For wood hoods: RHMD; RHCH, RHCHRA hoods in 30" and 36" widths only.
- Multi-Speed Fan Control.
- Dual 40W incandescent lights.
- Features Heat Sentry - switches to high speed when high heat is detected.
- Dishwasher Safe Filters.
- Silver Metallic Powder Coat finish on unit and surrounding liner.
- 390 CFM blower / 6" Round ducting.
- Backdraft damper included.
- 6" round duct exits top of blower unit on center.
- When installed, the centerline of the duct will be 4 3/4" from the back wall.
- Overall width is 20 1/2"; depth is 11 1/4"; height is 9 5/8".

WOOD HOODS

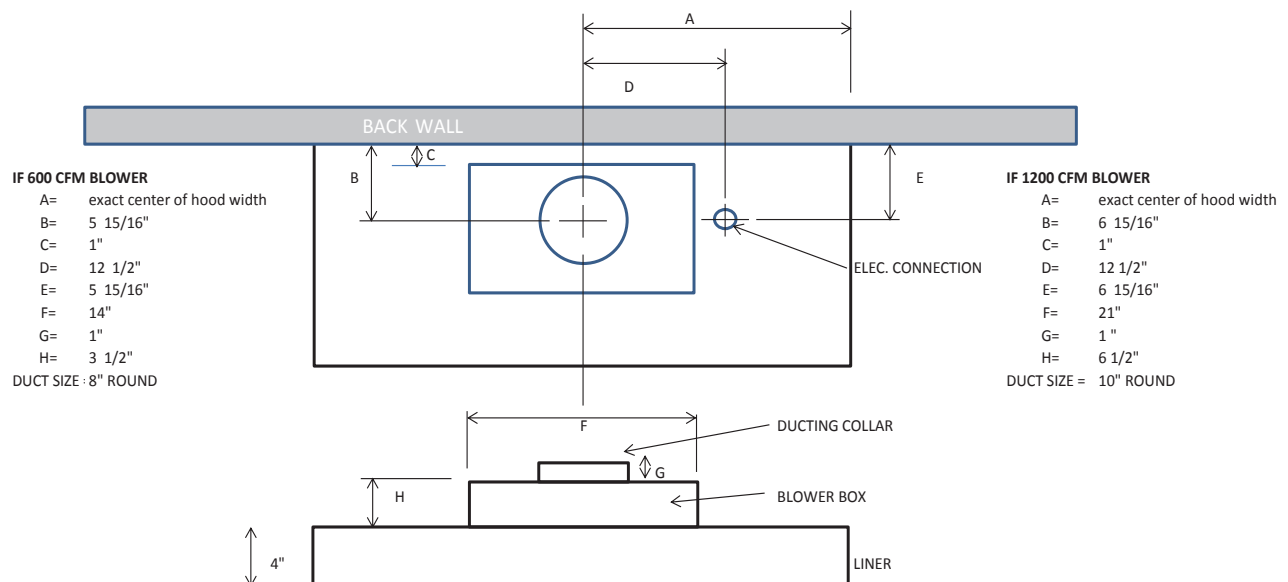
EACH HOOD HAS SELECT BLOWER SYSTEMS AVAILABLE; SEE INDIVIDUAL DETAIL PAGES FOR THIS INFORMATION.
WARRANTIES FOR THESE BLOWER AND LINER UNITS ARE SPECIFIC TO THE MANUFACTURER, NOT LATITUDE'S WARRANTY.



PML600 & PML1200 - 600 CFM and 1200 CFM BLOWER UNITS

- For wood hoods: RHMD 42" and wider, RHCH, and RHCHRA.
- Infinite Speed Fan Control.
- Halogen Lighting with dimmer control (2 lights on 30-36" wide hoods).
- Dishwasher Safe Stainless Steel Filters.
- 22 gauge 303 stainless steel housing.
- PML600 is an internal 600 CFM blower / 8" round ducting.
- PML1200 is an internal 1200CFM blower / 10" round ducting.
- 8" & 10" round duct exits top of blower unit on center and near the back wall.
- The liner unit is full width and depth of the hood, and 4" tall.
- The blower box connects to the top of liner and is 6 1/2" in height for the 600 CFM and 1200 CFM blower units.

600 1200 CFM BLOWER / LINER DIMENSIONS



WOOD HOODS

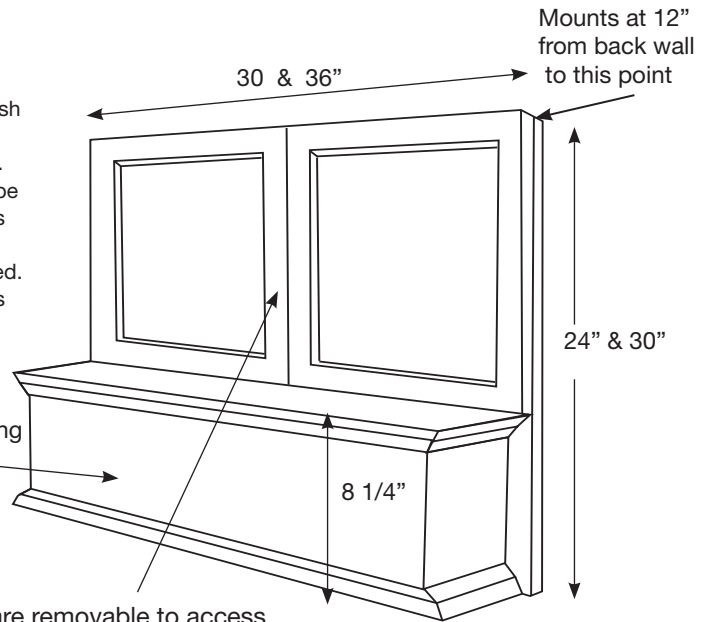
WOOD RANGE HOOD - RHMD

- MD wood hood is an economical mantel style hood.
- The door style panel will automatically match the door style and finish on the cabinet order. There will be **two** equal size door panels.
- The door panels are removable to facilitate vent install and hook up.
- This hood installs between two adjacent wall cabinets, and should be aligned with the adjacent cabinet box edges so that the door panels of the hood will be flush with adjacent wall cabinet doors.
- Satin silver epoxy powder coated liner & blower assembly is included. The liner extends to back wall and attaches to both the back wall as well as underside of hood.
- No dimensional modifications.

Note: Hood should be installed with a minimum clearance between countertop and bottom of hood at 24". Use 24" tall hoods for 84" - 90" design heights, & the 30" tall hood for 90" - 96" design heights. Check with your local building codes.

Consider adding decorative onlay here.

Door panels are removable to access ducting. Door style will match the door style and finish of the cabinet order.



HOOD PRICES INCLUDE THE 390 CFM BLOWER AND LINER ON THIS MD HOOD

HOOD PRICING IS PLACED IN COLUMN B. FINISH UP CHARGES SUCH AS GLAZING DO APPLY.

NO MODIFICATIONS ALLOWED.

WOOD HOOD	W x H	TOTAL LIST PRICE	COLUMN
RHMD3024	30 x 24		
RHMD3624	36 x 24		
RHMD3630	36 X 30		

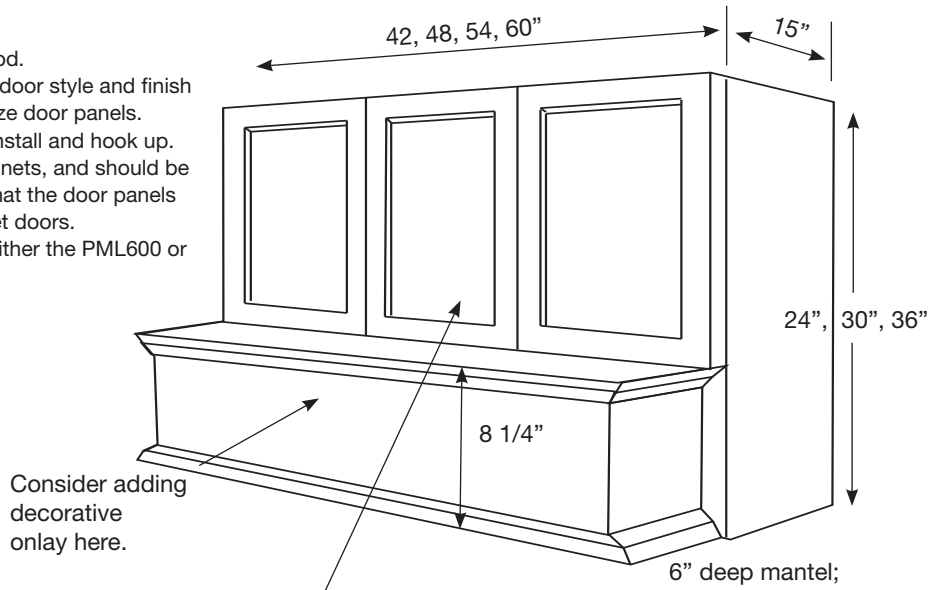
WOOD HOODS

WOOD RANGE HOOD - RHMD (CONTINUED)

- MD wood hood is an economical mantel style hood.
- The door style panel will automatically match the door style and finish on the cabinet order. There will be **three** equal size door panels.
- The door panels are removable to facilitate vent install and hook up.
- This hood installs between two adjacent wall cabinets, and should be aligned with the adjacent cabinet box edges so that the door panels of the hood will be flush with adjacent wall cabinet doors.
- These widths of the MD hood are available with either the PML600 or PML1200 series blower/liner system.

• **No modifications.**

Note: Hood should be installed with a clearance between countertop and bottom of hood at 24" - 30".



Door panels are removable to access ducting. Door style will match the door style and finish of the cabinet order.

TO PRICE: ADD HOOD PRICE PLUS BLOWER/LINER ASSEMBLY TO ACHIEVE TOTAL LIST PRICE.

HOOD PRICING IS PLACED IN COLUMN B. FINISH UP CHARGES SUCH AS GLAZING DO APPLY.

HOOD CAN BE ORDERED WITHOUT BLOWER AND LINER ASSEMBLY; DEALER WILL BE RESPONSIBLE FOR SUPPLYING AND MODIFYING BOX TO ACCOMMODATE OUTSOURCED VENT SYSTEM.

HOOD WIDTH	HOOD HEIGHTS			ADD BLOWER/LINER ASSEMBLY		
	(price in column B)			(price in column C)		
	24"	30"	36"		PML600	PML1200
RHMD42				for 42 wide"		
RHMD48				for 48 wide"		
RHMD54				for 54 wide"		
RHMD60				for 60 wide"		

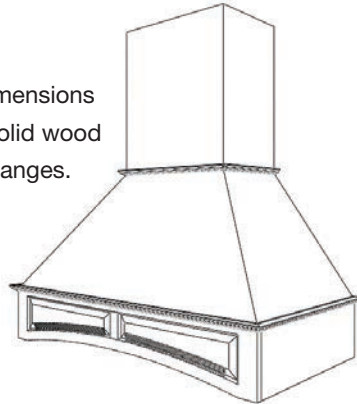
WOOD HOODS

WOOD RANGE HOOD - RHCH & RHCHRA (RAISED PANEL)

- RHCH is a classic chimney style wood hood.
- Hood is available in one standard height and trimmable.
- 30" - 48" wide hoods available with different blower/liner assemblies.
- This style hood shows best when designed with clearance space on each side.
Example: A 36" hood width should be placed in a wall space of 39" or greater, and would be above a 30" - 36" cooking surface.
- Available in Alder, Cherry, Maple, Red Oak.

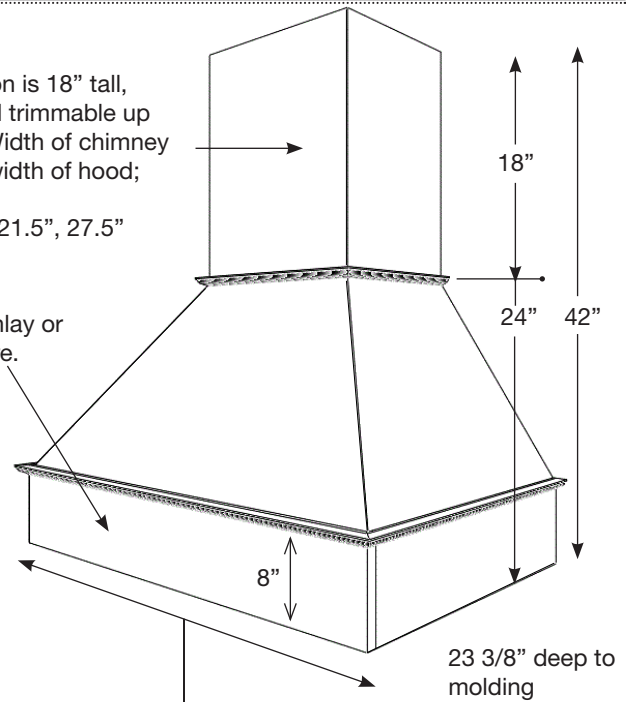
• No modifications.

RHCHRA hood is same dimensions as **RHCH**. Front fascia is solid wood raised arched panel. No changes.



Chimney section is 18" tall, removable, and trimmable up to full height. Width of chimney changes with width of hood; starting at 30":
9.5", 15.5", 21.5", 27.5"

Add decorative onlay or panel molding here.



NOTE: *Overall wood hood width is actually 2 1/4" wider than the 'call out' width.
Ex: 36" is actually 38 1/4" tip to tip.

TO PRICE: ADD HOOD PRICE PLUS BLOWER & LINER ASSEMBLY TO ACHIEVE TOTAL LIST PRICE.

HOOD PRICING IS PLACED IN COLUMN B. FINISH UP CHARGES SUCH AS GLAZING DO APPLY.

HOOD CAN BE ORDERED WITHOUT BLOWER AND LINER ASSEMBLY; DEALER WILL BE RESPONSIBLE FOR SUPPLYING AND MODIFYING BOX TO ACCOMMODATE OUTSOURCED VENT SYSTEM.

ORDER AS EXAMPLES : RHCH36-390; RHCHRA48-1200

WOOD HOOD	WIDTH*	HEIGHT	HOOD PRICE Column B	390 CFM Column C	PML600 CFM Column C	PML1200 CFM Column C
RHCH30	30"	42"				
RHCH36	36"	42"				
RHCH42	42"	42"				
RHCH48	48"	42"				

WOOD HOOD	WIDTH*	HEIGHT	HOOD PRICE Column B	390 CFM Column C	PML600 CFM Column C	PML1200 CFM Column C
RHCHRA30	30"	42"				
RHCHRA36	36"	42"				
RHCHRA42	42"	42"				
RHCHRA48	48"	42"				