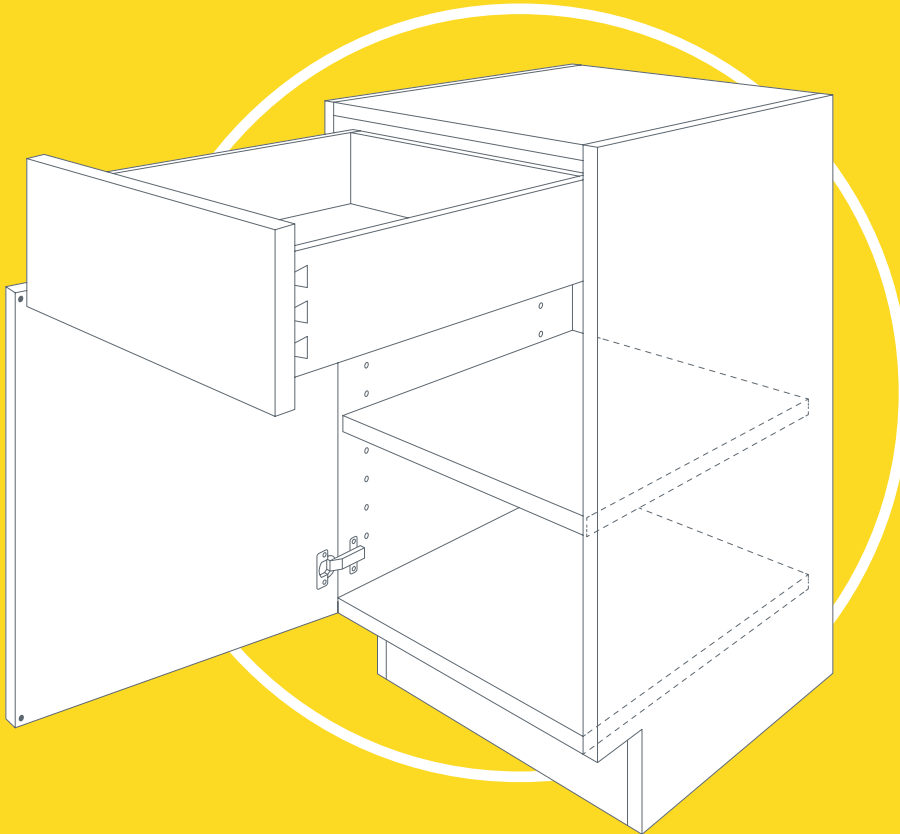




Tall Cabinet Configurations



CABINET NOMENCLATURE

WFD301824

CABINET TYPE	WIDTH	HEIGHT	DEPTH
--------------	-------	--------	-------

ex. **W3036** = Wall Cabinet: 30-in wide x 36-in tall
Width x Height x Depth (depth is standard 12-in, so is not noted)

ex. **4BD18** = Four Base Drawer Cabinet: 18-in wide
Height x Depth not noted (these are standard 24-in deep x 34 1/2-in high)

...

BASE CABINETS: Standard 34 1/2-in tall (before countertop) and 24-in deep (not including door/drawer faces).

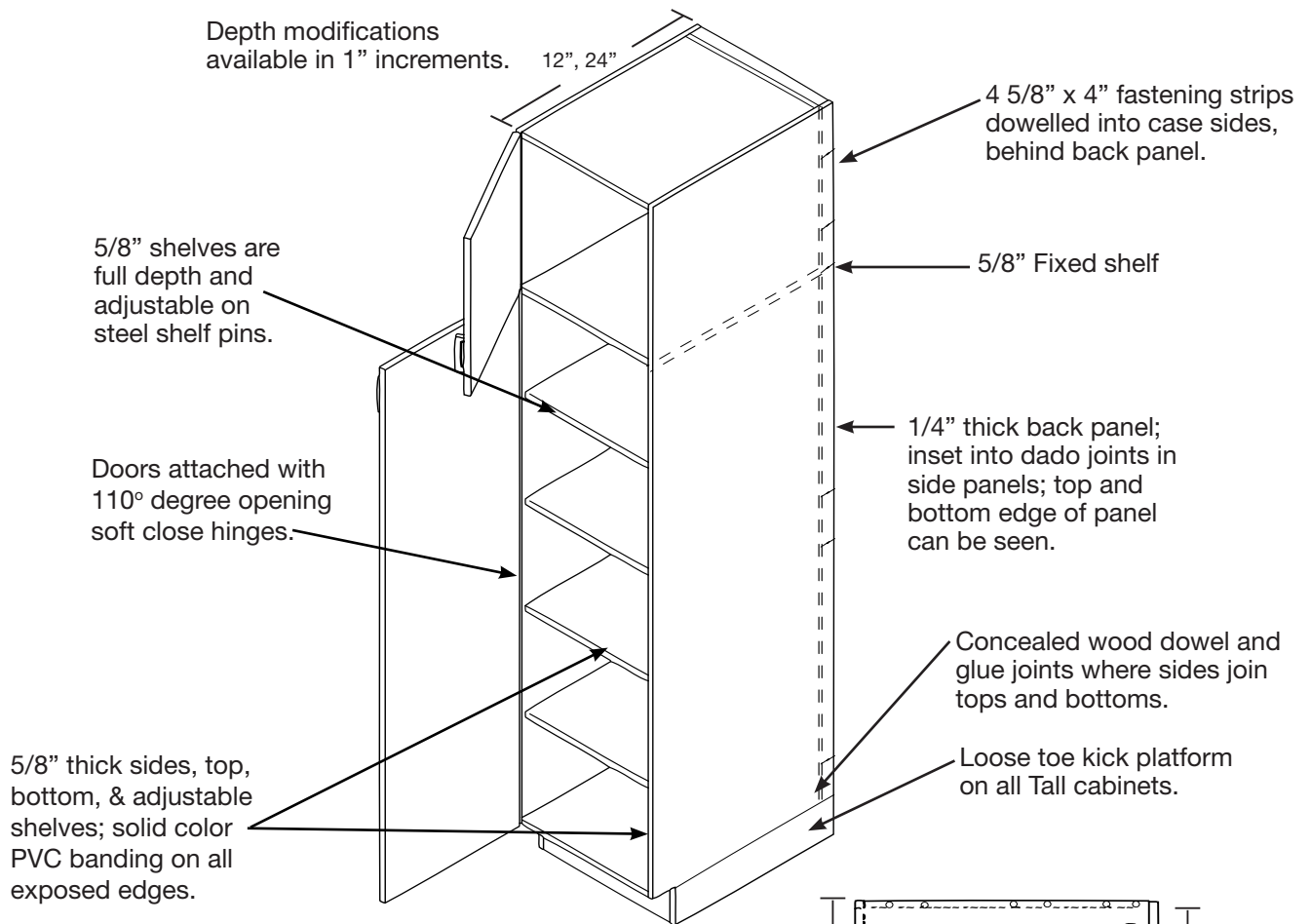
WALL CABINETS: Standard 12-in depth. Latitude offers an additional standard 15-in depth.

TALL CABINETS: Available in 84, 90, 93, and 96-in heights. 24-in deep with select 12-in deep options.

VANITY CABINETS: Available in 32-in and 34 1/2-in heights (*not including countertop*). Both are 21-in deep.

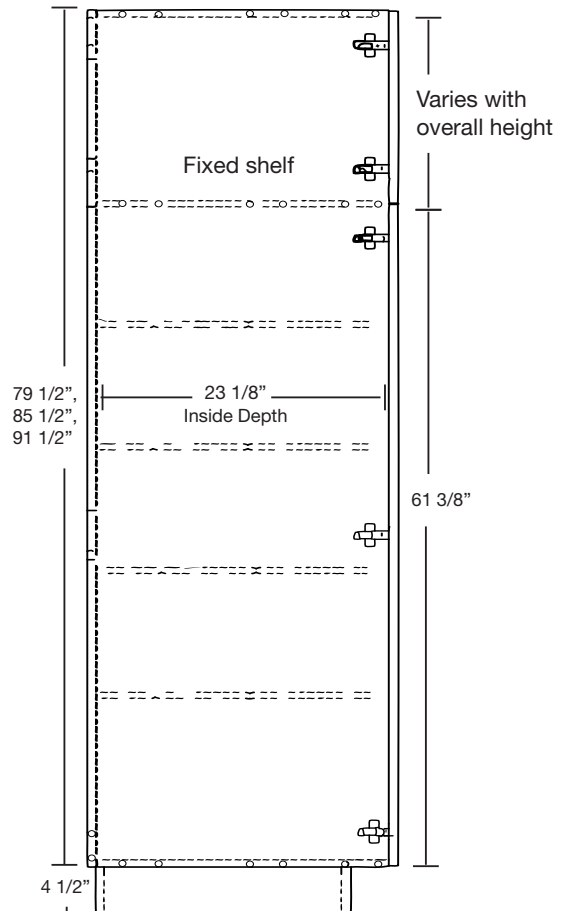
Cabinet sizing uses a 3-in increment system for width, height, and depth. Latitude Cabinets offers select base and wall cabinets in 1 1/2-in width increments to allow for design flexibility. Height, width, and depth reductions are also available on most cabinets.

TALL CABINET CONSTRUCTION



NOTES:

- Tall cabinets 9-21" wide will have single width door; specify hinge direction.
- Tall cabinets 24" and wider will have 2 equal width 'butt' doors; reveal or gap between doors will be 1/8" (3mm) once field adjusted.
- To facilitate job site delivery, the toe kick 'box' is shipped loose (inside cabinet) on all tall cabinets, and is a pre-constructed box that is to be attached to the cabinet on the job site.
- See individual cabinet details for upper and lower door heights of tall and oven cabinet.
- Standard white, and optional gray and maple melamine construction – exterior sides of tall cabinets will be same melamine as interior, unless factory finished ends are specified; exterior surface of tops and bottoms will be same as interior
- Birch plywood option details - exterior sides and top of tall cabinets will be clear coated Birch plywood unless factory finished ends are specified; all interior surfaces and shelves are same clear coat finished Birch plywood.
- Door reveals – 1/8" at top and bottom; 1/16" on outside edges; 1/8" between doors/drawers.



TALL CABINETS

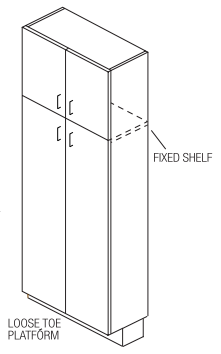
BROOM CABINET - 12" DEEP 84", 87", 90", 93", 96" High

- 12" - 21" wide will have 2 full width doors, specify hinge right or left.
- 24" - 36" wide will have 4 equal width doors.
- Lower door is 61 3/8".
- No shelving included.
- Recessed & raised panel doors taller than 51" will have a centered horizontal rail.
- Bottom doors will be built as 2 doors operating as 1 for Revurb and Madrid door styles.
- Cabinet Height - Upper Door Heights:
84"-17 3/4" 93"-26 3/4"
87"-20 3/4" 96"-29 3/4"
90"-23 3/4"

Modifications:

- Minimum Depth: 4"
- Minimum Width: 12"
- Minimum Height: 78"

BR



84" HIGH 12" DEEP	LIST PRICE	COLUMN A	87" HIGH 12" DEEP	LIST PRICE	COLUMN A	90" HIGH 12" DEEP	LIST PRICE	COLUMN A	93" HIGH 12" DEEP	LIST PRICE	COLUMN A	96" HIGH 12" DEEP	LIST PRICE	COLUMN A
BR128412			BR128712			BR129012			BR129312			BR129612		
BR13.58412			BR13.58712			BR13.59012			BR13.59312			BR13.59612		
BR158412			BR158712			BR159012			BR159312			BR159612		
BR16.58412			BR16.58712			BR16.59012			BR16.59312			BR16.59612		
BR188412			BR188712			BR189012			BR189312			BR189612		
BR19.58412			BR19.58712			BR19.59012			BR19.59312			BR19.59612		
BR218412			BR218712			BR219012			BR219312			BR219612		
BR248412			BR248712			BR249012			BR249312			BR249612		
BR278412			BR278712			BR279012			BR279312			BR279612		
BR308412			BR308712			BR309012			BR309312			BR309612		
BR338412			BR338712			BR339012			BR339312			BR339612		
BR368412			BR368712			BR369012			BR369312			BR369612		

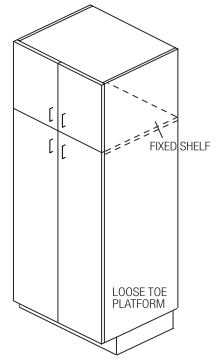
BROOM CABINET - 24" DEEP 84", 87", 90", 93", 96" High

- 12" - 21" wide will have 2 full width doors, specify hinge right or left.
- 24" - 36" wide will have 4 equal width doors.
- Lower door is 61 3/8".
- No shelving included.
- Recessed & raised panel doors taller than 51" will have a centered horizontal rail.
- Bottom doors will be built as 2 doors operating as 1 for Revurb and Madrid door styles.
- Cabinet Height - Upper Door Heights:
84"-17 3/4" 93"-26 3/4"
87"-20 3/4" 96"-29 3/4"
90"-23 3/4"

Modifications:

- Minimum Depth: 4"
- Minimum Width: 12"
- Minimum Height: 78"

BR



84" HIGH 24" DEEP	LIST PRICE	COLUMN A	87" HIGH 24" DEEP	LIST PRICE	COLUMN A	90" HIGH 24" DEEP	LIST PRICE	COLUMN A	93" HIGH 24" DEEP	LIST PRICE	COLUMN A	96" HIGH 24" DEEP	LIST PRICE	COLUMN A
BR128424			BR128724			BR129024			BR129324			BR129624		
BR13.58424			BR13.58724			BR13.59024			BR13.59324			BR13.59624		
BR158424			BR158724			BR159024			BR159324			BR159624		
BR16.58424			BR16.58724			BR16.59024			BR16.59324			BR16.59624		
BR188424			BR188724			BR189024			BR189324			BR189624		
BR19.58424			BR19.58724			BR19.59024			BR19.59324			BR19.59624		
BR218424			BR218724			BR219024			BR219324			BR219624		
BR248424			BR248724			BR249024			BR249324			BR249624		
BR278424			BR278724			BR279024			BR279324			BR279624		
BR308424			BR308724			BR309024			BR309324			BR309624		
BR338424			BR338724			BR339024			BR339324			BR339624		
BR368424			BR368724			BR369024			BR369324			BR369624		

TALL CABINETS

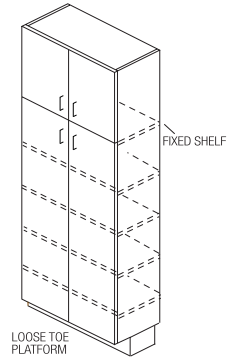
PANTRY CABINET - 12" DEEP 84", 87", 90", 93", 96" High

- 12" - 21" wide will have one full width door, specify hinge right or left.
- 24" - 36" wide will have 2 equal width doors.
- Lower door is 61 3/8".
- Recessed & raised panel doors taller than 51" will have a centered horizontal rail.
- Bottom doors will be built as 2 doors operating as 1 for Revurb and Madrid door styles.
- Cabinet Height - Upper Door Heights:
 - 84"-17 3/4" 93"-26 3/4"
 - 87"-20 3/4" 96"-29 3/4"
 - 90"-23 3/4"

Modifications:

- o Minimum Depth: 4"
- o Minimum Width: 12"
- o Minimum Height: 78"

PC



84" HIGH 12" DEEP	LIST PRICE	COLUMN A	87" HIGH 12" DEEP	LIST PRICE	COLUMN A	90" HIGH 12" DEEP	LIST PRICE	COLUMN A	93" HIGH 12" DEEP	LIST PRICE	COLUMN A	96" HIGH 12" DEEP	LIST PRICE	COLUMN A
PC128412			PC128712			PC129012			PC129312			PC129612		
PC13.58412			PC13.58712			PC13.59012			PC13.59312			PC13.59612		
PC158412			PC158712			PC159012			PC159312			PC159612		
PC16.58412			PC16.58712			PC16.59012			PC16.59312			PC16.59612		
PC188412			PC188712			PC189012			PC189312			PC189612		
PC19.58412			PC19.58712			PC19.59012			PC19.59312			PC19.59612		
PC218412			PC218712			PC219012			PC219312			PC219612		
PC248412			PC248712			PC249012			PC249312			PC249612		
PC278412			PC278712			PC279012			PC279312			PC279612		
PC308412			PC308712			PC309012			PC309312			PC309612		
PC338412			PC338712			PC339012			PC339312			PC339612		
PC368412			PC368712			PC369012			PC369312			PC369612		

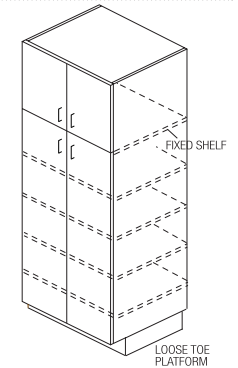
PANTRY CABINET - 24" DEEP 84", 87", 90", 93", 96" High

- 12" - 21" wide will have one full width door, specify hinge right or left.
- 24" - 36" wide will have 2 equal width doors.
- Lower door is 61 3/8".
- Recessed & raised panel doors taller than 51" will have a centered horizontal rail.
- Bottom doors will be built as 2 doors operating as 1 for Revurb and Madrid door styles.
- Cabinet Height - Upper Door Heights:
 - 84"-17 3/4" 93"-26 3/4"
 - 87"-20 3/4" 96"-29 3/4"
 - 90"-23 3/4"

Modifications:

- o Minimum Depth: 4"
- o Minimum Width: 12"
- o Minimum Height: 78"

PC



84" HIGH 24" DEEP	LIST PRICE	COLUMN A	87" HIGH 24" DEEP	LIST PRICE	COLUMN A	90" HIGH 24" DEEP	LIST PRICE	COLUMN A	93" HIGH 24" DEEP	LIST PRICE	COLUMN A	96" HIGH 24" DEEP	LIST PRICE	COLUMN A
PC128424			PC128724			PC129024			PC129324			PC129624		
PC13.58424			PC13.58724			PC13.59024			PC13.59324			PC13.59624		
PC158424			PC158724			PC159024			PC159324			PC159624		
PC16.58424			PC16.58724			PC16.59024			PC16.59324			PC16.59624		
PC188424			PC188724			PC189024			PC189324			PC189624		
PC19.58424			PC19.58724			PC19.59024			PC19.59324			PC19.59624		
PC218424			PC218724			PC219024			PC219324			PC219624		
PC248424			PC248724			PC249024			PC249324			PC249624		
PC278424			PC278724			PC279024			PC279324			PC279624		
PC308424			PC308724			PC309024			PC309324			PC309624		
PC338424			PC338724			PC339024			PC339324			PC339624		
PC368424			PC368724			PC369024			PC369324			PC369624		

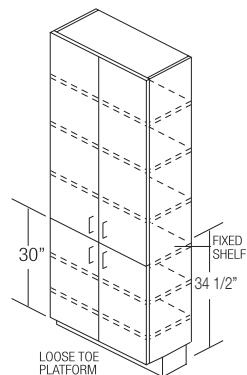
TALL CABINETS

BASE HIGH PANTRY CABINET - 12" DEEP

84", 87", 90", 93", 96" High

- Lower door matches base full high cabinet height.
- 12" - 21" wide will have 1 full width door, specify hinge right or left.
- 24" - 36" wide will have 2 equal width doors.
- 4½" high toe kick shipped loose.
- 84" - 90" High will have 5 adjustable shelves included.
- 93" - 96" High will have 6 adjustable shelves included.

BHPC



Modifications:

- Minimum Depth: 4"
- Minimum Width: 12"
- Minimum Height: 78"

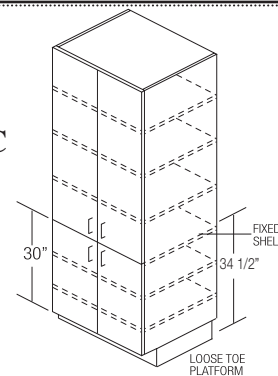
84" HIGH 12" DEEP	LIST PRICE	COLUMN A	87" HIGH 12" DEEP	LIST PRICE	COLUMN A	90" HIGH 12" DEEP	LIST PRICE	COLUMN A	93" HIGH 12" DEEP	LIST PRICE	COLUMN A	96" HIGH 12" DEEP	LIST PRICE	COLUMN A
BHPC128412			BHPC128712			BHPC129012			BHPC129312			BHPC129612		
BHPC13.58412			BHPC13.58712			BHPC13.59012			BHPC13.59312			BHPC13.59612		
BHPC158412			BHPC158712			BHPC159012			BHPC159312			BHPC159612		
BHPC16.58412			BHPC16.58712			BHPC16.59012			BHPC16.59312			BHPC16.59612		
BHPC188412			BHPC188712			BHPC189012			BHPC189312			BHPC189612		
BHPC19.58412			BHPC19.58712			BHPC19.59012			BHPC19.59312			BHPC19.59612		
BHPC218412			BHPC218712			BHPC219012			BHPC219312			BHPC219612		
BHPC248412			BHPC248712			BHPC249012			BHPC249312			BHPC249612		
BHPC278412			BHPC278712			BHPC279012			BHPC279312			BHPC279612		
BHPC308412			BHPC308712			BHPC309012			BHPC309312			BHPC309612		
BHPC338412			BHPC338712			BHPC339012			BHPC339312			BHPC339612		
BHPC368412			BHPC368712			BHPC369012			BHPC369312			BHPC369612		

BASE HIGH PANTRY CABINET - 24" DEEP

84", 87", 90", 93", 96" High

- Lower door matches base full high cabinet height.
- 12" - 21" wide will have 1 full width door, specify hinge right or left.
- 24" - 36" wide will have 2 equal width doors.
- 4½" high toe kick shipped loose.
- 84" - 90" High will have 5 adjustable shelves included.
- 93" - 96" High will have 6 adjustable shelves included.

BHPC



Modifications:

- Minimum Depth: 4"
- Minimum Width: 12"
- Minimum Height: 78"

84" HIGH 24" DEEP	LIST PRICE	COLUMN A	87" HIGH 24" DEEP	LIST PRICE	COLUMN A	90" HIGH 24" DEEP	LIST PRICE	COLUMN A	93" HIGH 24" DEEP	LIST PRICE	COLUMN A	96" HIGH 24" DEEP	LIST PRICE	COLUMN A
BHPC128424			BHPC128724			BHPC129024			BHPC129324			BHPC129624		
BHPC13.58424			BHPC13.58724			BHPC13.59024			BHPC13.59324			BHPC13.59624		
BHPC158424			BHPC158724			BHPC159024			BHPC159324			BHPC159624		
BHPC16.58424			BHPC16.58724			BHPC16.59024			BHPC16.59324			BHPC16.59624		
BHPC188424			BHPC188724			BHPC189024			BHPC189324			BHPC189624		
BHPC19.58424			BHPC19.58724			BHPC19.59024			BHPC19.59324			BHPC19.59624		
BHPC218424			BHPC218724			BHPC219024			BHPC219324			BHPC219624		
BHPC248424			BHPC248724			BHPC249024			BHPC249324			BHPC249624		
BHPC278424			BHPC278724			BHPC279024			BHPC279324			BHPC279624		
BHPC308424			BHPC308724			BHPC309024			BHPC309324			BHPC309624		
BHPC338424			BHPC338724			BHPC339024			BHPC339324			BHPC339624		
BHPC368424			BHPC368724			BHPC369024			BHPC369324			BHPC369624		

TALL CABINETS

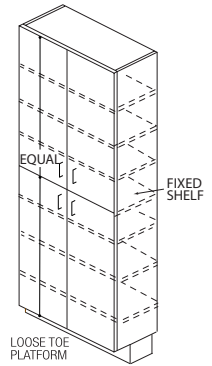
LINEN CABINET - 12" DEEP 84", 87", 90", 93", 96" HIGH

- 12" - 21" wide will have 2 full width doors, specify hinge right or left.
- 24" - 36" wide will have 4 equal width doors.
- Doors are equal height.
- 4½" high toe kick shipped loose.
- 6 adjustable shelves included.

Modifications:

- o Minimum Depth: 4"
- o Minimum Width: 12"
- o Minimum Height: 78"

LN



NOTE: Doors remain EQUAL height when height is reduced.

84" HIGH 12" DEEP	LIST PRICE	COLUMN A	87" HIGH 12" DEEP	LIST PRICE	COLUMN A	90" HIGH 12" DEEP	LIST PRICE	COLUMN A	93" HIGH 12" DEEP	LIST PRICE	COLUMN A	96" HIGH 12" DEEP	LIST PRICE	COLUMN A
LN128412			LN128712			LN129012			LN129312			LN129612		
LN13.58412			LN13.58712			LN13.59012			LN13.59312			LN13.59612		
LN158412			LN158712			LN159012			LN159312			LN159612		
LN16.58412			LN16.58712			LN16.59012			LN16.59312			LN16.59612		
LN188412			LN188712			LN189012			LN189312			LN189612		
LN19.58412			LN19.58712			LN19.59012			LN19.59312			LN19.59612		
LN218412			LN218712			LN219012			LN219312			LN219612		
LN248412			LN248712			LN249012			LN249312			LN249612		
LN278412			LN278712			LN279012			LN279312			LN279612		
LN308412			LN308712			LN309012			LN309312			LN309612		
LN338412			LN338712			LN339012			LN339312			LN339612		
LN368412			LN368712			LN369012			LN369312			LN369612		

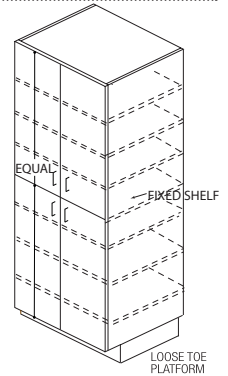
LINEN CABINET - 24" DEEP 84", 87", 90", 93", 96" HIGH

- 12" - 21" wide will have 2 full width doors, specify hinge right or left.
- 24" - 36" wide will have 4 equal width doors.
- Doors are equal height.
- 4½" high toe kick shipped loose.
- 6 adjustable shelves included.

Modifications:

- o Minimum Depth: 4"
- o Minimum Width: 12"
- o Minimum Height: 78"

LN



NOTE: Doors remain EQUAL height when height is reduced.

84" HIGH 24" DEEP	LIST PRICE	COLUMN A	87" HIGH 24" DEEP	LIST PRICE	COLUMN A	90" HIGH 24" DEEP	LIST PRICE	COLUMN A	93" HIGH 24" DEEP	LIST PRICE	COLUMN A	96" HIGH 24" DEEP	LIST PRICE	COLUMN A
LN128424			LN128724			LN129024			LN129324			LN129624		
LN13.58424			LN13.58724			LN13.59024			LN13.59324			LN13.59624		
LN158424			LN158724			LN159024			LN159324			LN159624		
LN16.58424			LN16.58724			LN16.59024			LN16.59324			LN16.59624		
LN188424			LN188724			LN189024			LN189324			LN189624		
LN19.58424			LN19.58724			LN19.59024			LN19.59324			LN19.59624		
LN218424			LN218724			LN219024			LN219324			LN219624		
LN248424			LN248724			LN249024			LN249324			LN249624		
LN278424			LN278724			LN279024			LN279324			LN279624		
LN308424			LN308724			LN309024			LN309324			LN309624		
LN338424			LN338724			LN339024			LN339324			LN339624		
LN368424			LN368724			LN369024			LN369324			LN369624		

TALL CABINETS

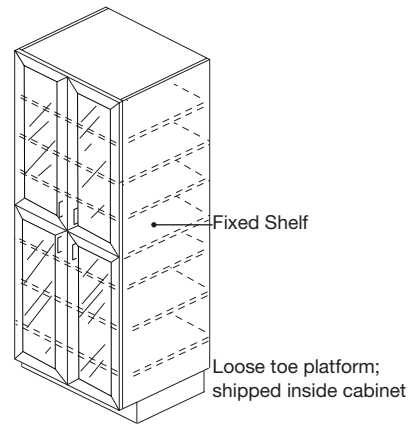
LINEN METAL FRAME DOOR - 24" DEEP 84", 87", 90", 93", 96" HIGH

- Includes Satin Aluminum metal frame doors with Acid Etched glass.
- 12" - 21" wide will have 2 full width doors, specify hinge right or left.
- 24" - 36" wide will have 4 equal width doors.
- Doors are equal height and split at a fixed shelf
- 4½" high toe kick shipped loose.
- 6 adjustable shelves included

Modifications:

- Minimum Depth: 4"
- Minimum Width: 12"
- Minimum Height: 78"

LNMD



84" HIGH 24" DEEP	LIST PRICE		87" HIGH 24" DEEP	LIST PRICE		90" HIGH 24" DEEP	LIST PRICE		93" HIGH 24" DEEP	LIST PRICE		96" HIGH 24" DEEP	LIST PRICE	
LNMD158424			LNMD158724			LNMD159024			LNMD159324			LNMD159624		
LNMD16.58424			LNMD16.58724			LNMD16.59024			LNMD16.59324			LNMD16.59624		
LNMD188424			LNMD188724			LNMD189024			LNMD189324			LNMD189624		
LNMD19.58424			LNMD19.58724			LNMD19.59024			LNMD19.59324			LNMD19.59624		
LNMD218424			LNMD218724			LNMD219024			LNMD219324			LNMD219624		
LNMD248424			LNMD248724			LNMD249024			LNMD249324			LNMD249624		
LNMD278424			LNMD278724			LNMD279024			LNMD279324			LNMD279624		
LNMD308424			LNMD308724			LNMD309024			LNMD309324			LNMD309624		
LNMD338424			LNMD338724			LNMD339024			LNMD339324			LNMD339624		
LNMD368424			LNMD368724			LNMD369024			LNMD369324			LNMD369624		

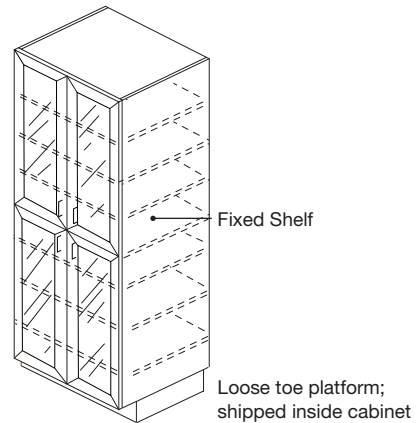
LINEN FINISHED INTERIOR METAL FRAME DOOR - 24" DEEP 84", 87", 90", 93", 96" HIGH

- Includes finished interior and finished exterior
- Includes Satin Aluminum metal frame doors with Acid Etched glass.
- 12" - 21" wide will have 2 full width doors, specify hinge right or left.
- 24" - 36" wide will have 4 equal width doors.
- Doors are equal height and split at a fixed shelf
- 4½" high toe kick shipped loose.
- 6 adjustable shelves included.

Modifications:

- Minimum Depth: 4"
- Minimum Width: 12"
- Minimum Height: 78"

LNFMD

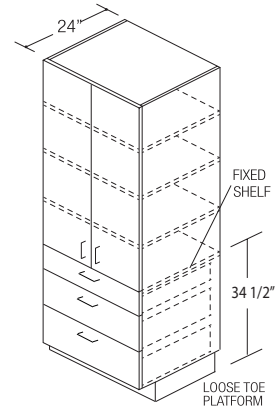


84" HIGH 24" DEEP	LIST PRICE		87" HIGH 24" DEEP	LIST PRICE		90" HIGH 24" DEEP	LIST PRICE		93" HIGH 24" DEEP	LIST PRICE		96" HIGH 24" DEEP	LIST PRICE	
LNFMD158424			LNFMD158724			LNFMD159024			LNFMD159324			LNFMD159624		
LNFMD16.58424			LNFMD16.58724			LNFMD16.59024			LNFMD16.59324			LNFMD16.59624		
LNFMD188424			LNFMD188724			LNFMD189024			LNFMD189324			LNFMD189624		
LNFMD19.58424			LNFMD19.58724			LNFMD19.59024			LNFMD19.59324			LNFMD19.59624		
LNFMD218424			LNFMD218724			LNFMD219024			LNFMD219324			LNFMD219624		
LNFMD248424			LNFMD248724			LNFMD249024			LNFMD249324			LNFMD249624		
LNFMD278424			LNFMD278724			LNFMD279024			LNFMD279324			LNFMD279624		
LNFMD308424			LNFMD308724			LNFMD309024			LNFMD309324			LNFMD309624		
LNFMD338424			LNFMD338724			LNFMD339024			LNFMD339324			LNFMD339624		
LNFMD368424			LNFMD368724			LNFMD369024			LNFMD369324			LNFMD369624		

TALL CABINETS

THREE BASE PANTRY DRAWER

84" HIGH - 24" DEEP 87" HIGH - 24" DEEP
 90" HIGH - 24" DEEP 93" HIGH - 24" DEEP
 96" HIGH - 24" DEEP



3BPD

- One full width door in 21" and less, specify hinge left or right.
- Double doors in widths over 24".
- Three drawers in bottom section; aligns with standard 3BD cabinet; 5 7/8", 11 7/8", 11 7/8" drawer face heights
- 4 1/2" high toe kick shipped loose.
- Recessed & raised panel doors taller than 48" will have centered horizontal rail.
- 84" & 87" high - three adjustable shelves included.
- 90"- 96" high - four adjustable shelves included

Modifications:

- o Minimum Depth: 12"
- o Minimum Width: 12"
- o Minimum Height: 78"

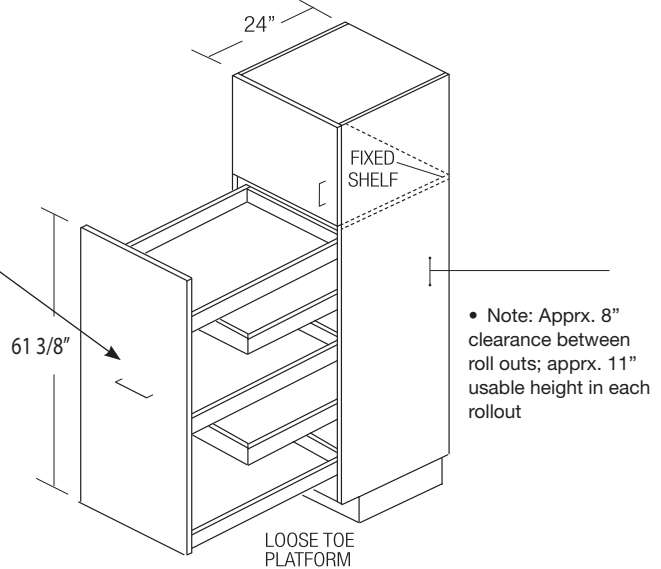
84" HIGH	LIST PRICE	COLUMN A	87" HIGH	LIST PRICE	COLUMN A	90" HIGH	LIST PRICE	COLUMN A	93" HIGH	LIST PRICE	COLUMN A	96" HIGH	LIST PRICE	COLUMN A
3BPD1584			3BPD1587			3BPD1590			3BPD1593			3BPD1596		
3BPD16.584			3BPD16.587			3BPD16.590			3BPD16.593			3BPD16.596		
3BPD1884			3BPD1887			3BPD1890			3BPD1893			3BPD1896		
3BPD19.584			3BPD19.587			3BPD19.590			3BPD19.593			3BPD19.596		
3BPD2184			3BPD2187			3BPD2190			3BPD2193			3BPD2196		
3BPD2484			3BPD2487			3BPD2490			3BPD2493			3BPD2496		
3BPD2784			3BPD2787			3BPD2790			3BPD2793			3BPD2796		
3BPD3084			3BPD3087			3BPD3090			3BPD3093			3BPD3096		
3BPD3384			3BPD3387			3BPD3390			3BPD3393			3BPD3396		
3BPD3684			3BPD3687			3BPD3690			3BPD3693			3BPD3696		

TALL PULL OUT SPICE

84", 87", 90", 93", 96" High

- 84" - 87" High - no adjustable shelf in upper section.
- 90" - 93" High - 1 adjustable shelf in upper section.
- 96" High - 2 adjustable shelves in upper section.
- Includes 5 full extension 4" tall soft close roll outs; with three attached to the lower door; the other two roll outs operate independently.
- Cabinet Height - Upper Door Heights:
 84"-17 3/4" 93"-26 3/4"
 87"-20 3/4" 96"-29 3/4"
 90"-23 3/4"
- NOTE: If Satino drawers are specified on order, the roll outs in the TPOS will also be Satino construction, and the up charge for 5 roll outs will apply.

• Note: Handle on bottom door needs to be installed in the middle to insure proper pull out performance



Modifications:

- o Minimum Depth: 18"
- o Minimum Width: 12"
- o Minimum Height: 78"

84" HIGH	LIST PRICE	COLUMN A	87" HIGH	LIST PRICE	COLUMN A	90" HIGH	LIST PRICE	COLUMN A	93" HIGH	LIST PRICE	COLUMN A	96" HIGH	LIST PRICE	COLUMN A
TPOS984			TPOS987			TPOS990			TPOS993			TPOS996		
TPOS1284			TPOS1287			TPOS1290			TPOS1293			TPOS1296		
TPOS1584			TPOS1587			TPOS1590			TPOS1593			TPOS1596		

TALL CABINETS

PANTRY CABINET ADJUSTABLE ROLL OUTS

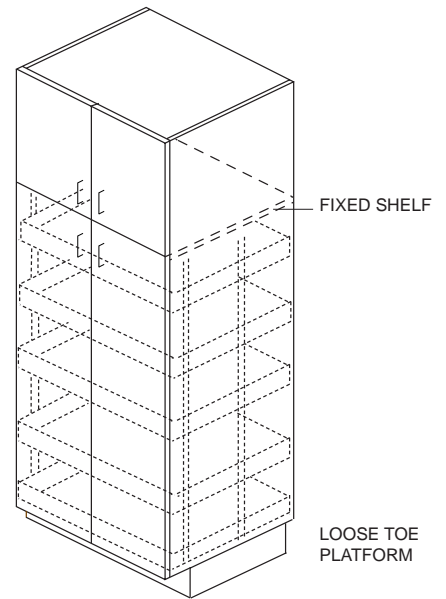
84", 87", 90", 93", 96" High

- Features patented adjustable roll out system. **No tools required to reposition roll outs within the cabinet.**
- Provides height adjustment of roll outs on 1 1/4" increments.
- 84" - 87" High - no shelving included in upper section
- 90" High - one shelf included; 93" - 96" High - two shelves included.
- **Includes 5 full extension soft close roll outs.**
- **NOTE:** there may be some slight flexing of glide hardware when roll outs are fully extended. This is normal due the adjustable mounting system, and does not compromise roll out performance.
- Cabinet Height - Upper Door Heights:

84"-17 1/4"	93"-26 3/4"
87"-20 3/4"	96"-29 3/4"
90"-23 3/4"	

Modifications:

- o Minimum Depth: 18"
- o Minimum Width: 12"
- o Minimum Height: 78"



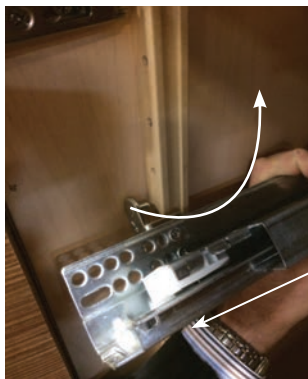
PCAR



1.



2.



3.



4.



5.

Steps to adjust roll outs:

1. Remove roll out to be re positioned. Release levers are front underside of the roll out.
2. Glide assembly is still in cabinet.
3. Pivot each glide upward 90 degrees first, next, pull forward to remove from wood pilaster
4. Re insert glide pins into set of holes desired for new location; and pivot back down into position. This locks guide in place.
5. Once both glides are inserted, rest roll out on guides and push inward until it snaps into place.

84" HIGH			87" HIGH			90" HIGH			93" HIGH			96" HIGH		
LIST PRICE	COLUMN A		LIST PRICE	COLUMN A		LIST PRICE	COLUMN A		LIST PRICE	COLUMN A		LIST PRICE	COLUMN A	
PCAR1584			PCAR1587			PCAR1590			PCAR1593			PCAR1596		
PCAR16.584			PCAR16.587			PCAR16.590			PCAR16.593			PCAR16.596		
PCAR1884			PCAR1887			PCAR1890			PCAR1893			PCAR1896		
PCAR19.584			PCAR19.587			PCAR19.590			PCAR19.593			PCAR19.596		
PCAR2184			PCAR2187			PCAR2190			PCAR2193			PCAR2196		
PCAR2484			PCAR2487			PCAR2490			PCAR2493			PCAR2496		
PCAR2784			PCAR2787			PCAR2790			PCAR2793			PCAR2796		
PCAR3084			PCAR3087			PCAR3090			PCAR3093			PCAR3096		
PCAR3384			PCAR3387			PCAR3390			PCAR3393			PCAR3396		
PCAR3684			PCAR3687			PCAR3690			PCAR3693			PCAR3696		

TALL CABINETS

TALL BLIND CORNER

84", 87", 90", 93", 96" High

- Tall blind corner provides unique storage and design options for corners.
- Built as a single unit; loose toe platform provided.
- Door heights are equally divided.
- (Ex: 84" - 4.5" toe space = 79.5" / 2 = Two 39.75" nominal height doors.)
- Bottom section of TBCSO will contain 2 white polymer blind corner pivot trays and 1 adjustable shelf trays pivot and extend into opening for improved access in the bottom section. TBC has 3 adjustable shelves in bottom.
- Upper section includes three adjustable shelves; shelves are shaped to improve blind access.
- The blind panel is an integral part of the cabinet and is finished material matching the door. It has a vertical pattern direction for all wood and grain patterned door styles.
- Actual box width is 6" less than stated width.

42" wide = 15" wide doors; 36" actual box width
 45" = 18" wide doors; 39" actual box width
 48" = 21" wide doors; 42" actual box width

- Modifications:**
- Minimum Depth: 12"
 - Minimum Width: N/A
 - Minimum Height: 78"

This panel is finished to match and vertical grain direction on all door styles with a grain pattern.

TBC or TBCSO
 (includes swing out trays)

DOOR HINGES CONNECTED TO PANEL

Fixed shelf; doors are equal height.

LEFT SHOWN

TOE KICK SHIPPED LOOSE

TBC

84" HIGH	LIST PRICE	COLUMN A
TBC4284		
TBC4584		
TBC4884		

87" HIGH	LIST PRICE	COLUMN A
TBC4287		
TBC4587		
TBC4887		

90" HIGH	LIST PRICE	COLUMN A
TBC4290		
TBC4590		
TBC4890		

93" HIGH	LIST PRICE	COLUMN A
TBC4293		
TBC4593		
TBC4893		

96" HIGH	LIST PRICE	COLUMN A
TBC4296		
TBC4596		
TBC4896		

TBCSO

84" HIGH	LIST PRICE	COLUMN A
TBCSO4284		
TBCSO4584		
TBCSO4884		

87" HIGH	LIST PRICE	COLUMN A
TBCSO4287		
TBCSO4587		
TBCSO4887		

90" HIGH	LIST PRICE	COLUMN A
TBCSO4290		
TBCSO4590		
TBCSO4890		

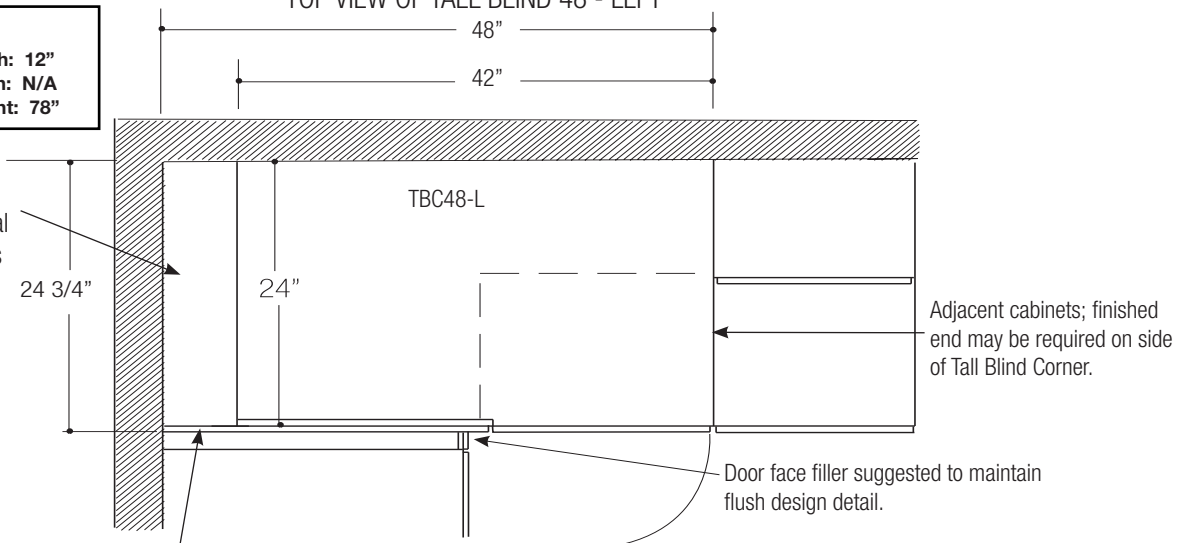
93" HIGH	LIST PRICE	COLUMN A
TBCSO4293		A
TBCSO4593		A
TBCSO4893		A

96" HIGH	LIST PRICE	COLUMN A
TBCSO4296		
TBCSO4596		
TBCSO4896		

TOP VIEW OF TALL BLIND 48 - LEFT

- Modifications:**
- Minimum Depth: 12"
 - Minimum Width: N/A
 - Minimum Height: 78"

6" void space will show unless covered by additional panel; see examples on next page.

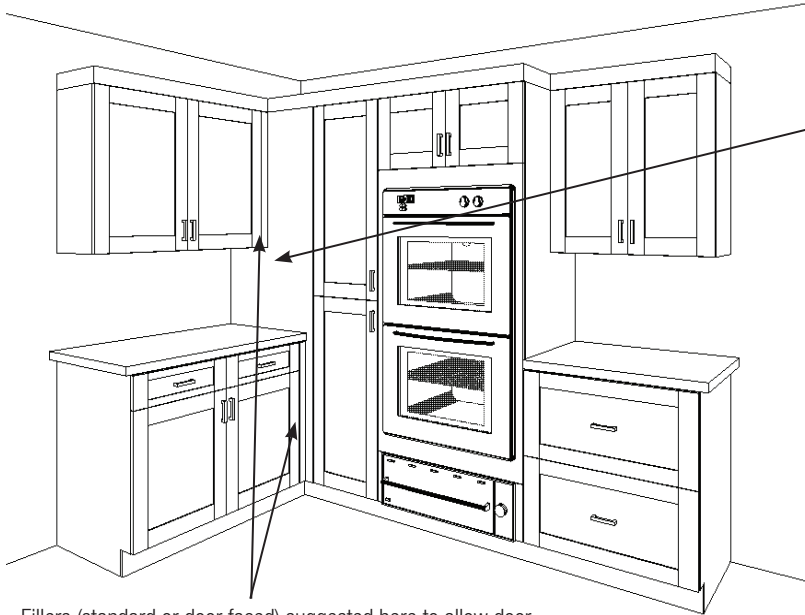


IMPORTANT NOTES ON INSTALLATION OPTIONS - SEE NEXT PAGE FOR INSTALL SCENARIOS

- If overlay panels are preferred or needed to cover the void space, order separately and field trim and install. These would be installed flush with the TBC door.
- Order as APC (Applied Panel Custom) if vertical grain direction is acceptable. Suggest ordering panel 28" in width x cabinet height; trim to fit on site.
- If horizontal grain pattern is needed for this exposed surface, order as 2 - CPODs. This situation would apply to designs using the Moda and Rift door styles.
- CPOD sizes would be: 84" tall - 26 3/8" wide x 39 9/16"; 87" tall - 26 3/8" wide x 41 1/16"; 90" tall - 26 3/8" wide x 42 9/16"; 93" tall - 26 3/8" wide x 44 1/16"; 96" tall - 26 3/8" wide x 45 9/16"

TALL CABINETS

TALL BLIND CORNER CABINET INSTALL SCENARIOS

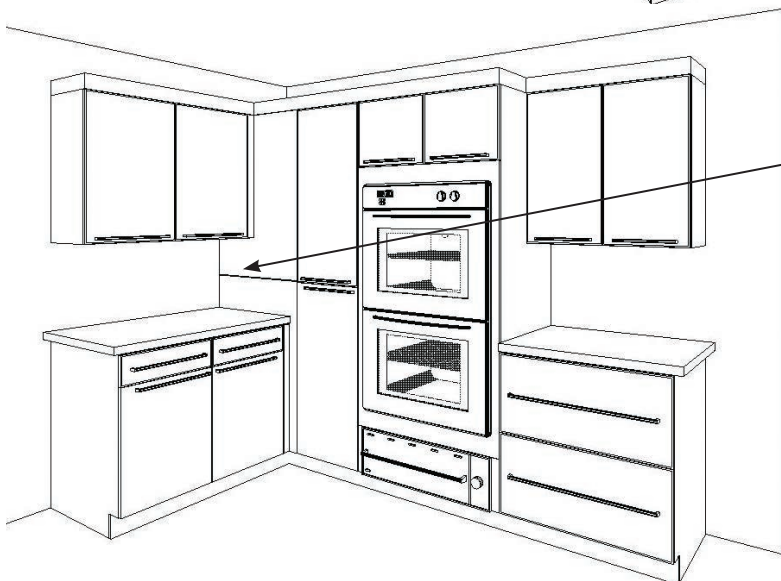
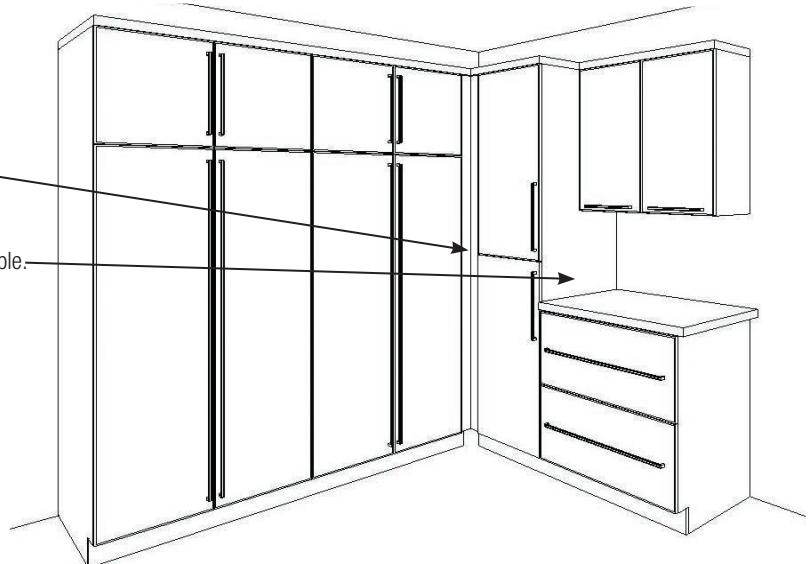


Fillers (standard or door faced) suggested here to allow door and drawer clearance.

EXAMPLE 1: In this example, an additional panel is required to cover the blind cabinet void space at the back wall. This panel is ordered separately, and in an example like this, should be ordered as a APC (Applied Panel Custom). It is suggested to order slightly oversized and trim to fit on site. Suggested width would be 28", and the height would be the same as the TBC height. Being an APC panel, pattern direction will run vertically. See example at bottom of page if using horizontal grain pattern door style.

EXAMPLE 2: In this example, with tall cabinets butting into the tall blind, no additional panels are needed. Install tall fillers (standard or door face fillers), in the corner; 2" minimum width suggested.

Finished end is needed on the right end of the TBC in this example.



EXAMPLE 3: In this example, an additional panel is required to cover the blind cabinet void space at the back wall. The designer wants horizontal grain pattern to match the door style (this would be applicable to Moda, Waves and Rift). To achieve the horizontal grain pattern, order two CPODs (Custom Plant On Doors). There will be a seam, and the CPODs should be sized to align with the doors on the TBC cabinet. The CPODs might require scribe to fit at the back wall. (See notes at the bottom of previous page).

TALL CABINETS

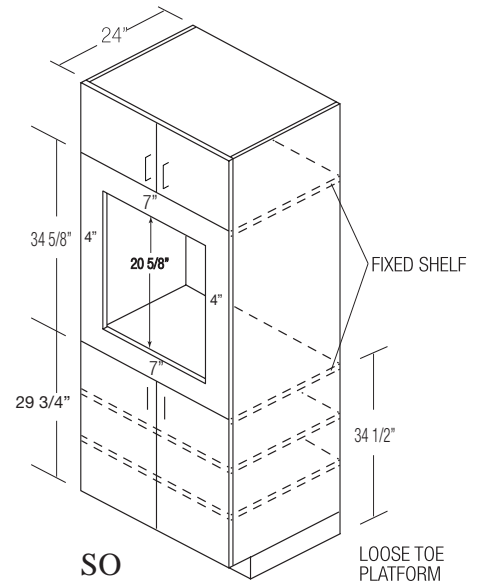
SINGLE OVEN

84", 87", 90", 93", 96" High

Modifications:

- o Minimum Depth: N/A
- o Minimum Width: 24"
- o Minimum Height: 84"

- Use 33" wide cabinet for 30" ovens; 30" wide for 27" ovens.
- 34⁵/₈" tall oven panel on middle section.
- Oven panel will have same edge profile as doors; panel is removable.
- 2 adjustable shelves in bottom section.
- 4¹/₂" high toe kick shipped loose.
- One loose shelf with cleats is shipped with this cabinet for use in installation of oven.
- Cut oven panel to opening size on job site.
- Cabinet Height-Quantity Shelves in Upper Section: 84"-0, 87"-0, 90"-1 93"-1, 96"-2.
- Cabinet Height-Upper Door Height: 84"-14³/₄", 87"-17³/₄", 90"-20³/₄", 93"-23³/₄", 96"-26³/₄



SO

- Oven Panel Opening width = cabinet width minus 8 1/8".

NOTES; SEE FOLLOWING PAGE FOR ADDITIONAL OVEN CABINET DETAILS

84" HIGH	LIST PRICE	COLUMN A
S02784		
S03084		
S03384		
S03684		

87" HIGH	LIST PRICE	COLUMN A
S02787		
S03087		
S03387		
S03687		

90" HIGH	LIST PRICE	COLUMN A
S02790		
S03090		
S03390		
S03690		

93" HIGH	LIST PRICE	COLUMN A
S02793		
S03093		
S03393		
S03693		

96" HIGH	LIST PRICE	COLUMN A
S02796		
S03096		
S03396		
S03696		

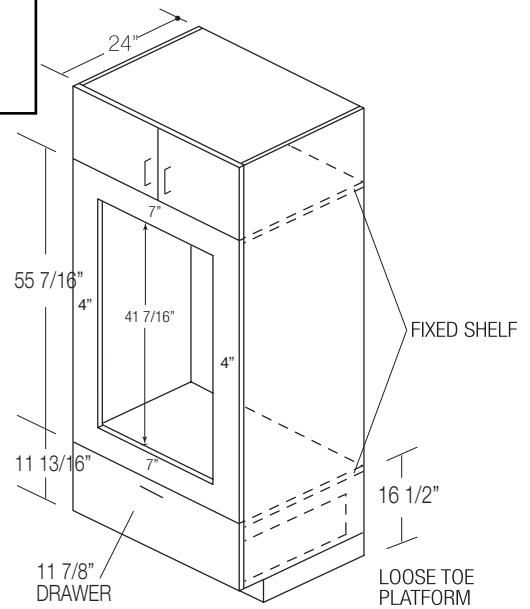
DOUBLE OVEN

84", 87", 90", 93", 96" High

Modifications:

- o Minimum Depth: N/A
- o Minimum Width: 24"
- o Minimum Height: 84"

- Use 33" wide cabinet for 30" ovens; 30" wide for 27" ovens.
- 55 3/8" tall oven panel on middle section.
- Oven panel will have same edge profile as doors, panel is removable
- 4¹/₂" high toe kick shipped loose.
- One loose shelf with cleats is shipped with this cabinet for use in installation of oven and microwave.
- Cut oven panel to opening size on job site.
- Cabinet Height-Quantity Shelves in upper section: 84"- 90"-0, 93"-1, 96"-1.
- Cabinet Height-Upper Door Height: 84"-11³/₄", 87"-14³/₄", 90"-17³/₄", 93"-20³/₄", 96"- 23³/₄"



DO

- Oven Panel Opening width = cabinet width minus 8 1/8".

NOTES; SEE FOLLOWING PAGE FOR ADDITIONAL OVEN CABINET DETAILS

84" HIGH	LIST PRICE	COLUMN A
D02784		
D03084		
D03384		
D03684		

87" HIGH	LIST PRICE	COLUMN A
D02787		
D03087		
D03387		
D03687		

90" HIGH	LIST PRICE	COLUMN A
D02790		
D03090		
D03390		
D03690		

93" HIGH	LIST PRICE	COLUMN A
D02793		
D03093		
D03393		
D03693		

96" HIGH	LIST PRICE	COLUMN A
D02796		
D03096		
D03396		
D03696		

TALL CABINETS

MICROWAVE / SINGLE OVEN

84", 87", 90", 93", 96" High

Modifications:

- o Minimum Depth: N/A
- o Minimum Width: 24"
- o Minimum Height: 84"

- Use 33" wide cabinet for 30" ovens.
- All heights come in 27", 30", 33", 36" widths.
- 55 3/8" tall oven panel on middle section.
- Oven panel will have same edge profile as doors, panel is removable.
- 4 1/2" high toe kick shipped loose.
- Two loose shelves with cleats are shipped with this cabinet for use in installation of oven and microwave.
- Cut oven panel to opening size on job site.
- 30" wide for 27" ovens.
- Cabinet Height-Quantity Shelves in upper section: 84"-90"-0, 93"-1, 96"-1.
- Cabinet Height-Upper Door Height: 84"-11 3/4", 87"-14 3/4", 90"-17 3/4", 93"-20 3/4", 96"-23 3/4".

NOTE: SEE FOLLOWING PAGE FOR ADDITIONAL OVEN CABINET DETAILS.

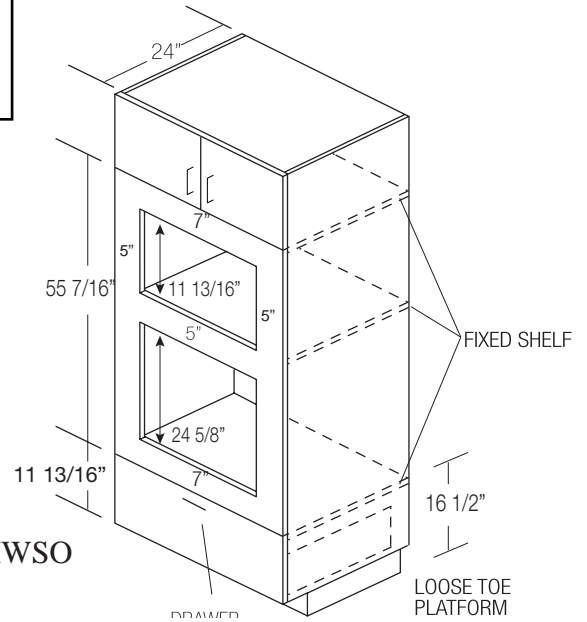
84" HIGH	LIST PRICE	COLUMN A
MWSO2784		
MWSO3084		
MWSO3384		
MWSO3684		

87" HIGH	LIST PRICE	COLUMN A
MWSO2787		
MWSO3087		
MWSO3387		
MWSO3687		

90" HIGH	LIST PRICE	COLUMN A
MWSO2790		
MWSO3090		
MWSO3390		
MWSO3690		

93" HIGH	LIST PRICE	COLUMN A
MWSO2793		
MWSO3093		
MWSO3393		
MWSO3693		

96" HIGH	LIST PRICE	COLUMN A
MWSO2796		
MWSO3096		
MWSO3396		
MWSO3696		



- Oven Panel Opening width = cabinet width minus 8 1/8".

DOUBLE OVEN WARMING DRAWER

84", 87", 90", 93", 96" High

Modifications:

- o Minimum Depth: N/A
- o Minimum Width: 24"
- o Minimum Height: 84"

- Use 33" wide cabinet for 30" ovens; 30" wide for 27" ovens.
- 67 3/8" tall oven panel with two openings, 1 for oven drawer
- Oven panel will have same edge profile as doors, panel is removable
- 4 1/2" high toe kick shipped loose.
- Two loose shelves with support cleats are shipped with cabinet for use in installation of oven and warming drawer
- Cut oven panel to opening size on job site.
- Cabinet Height-Quantity Shelves in upper section: 84"- 90"-0, 93"-1, 96"-1.
- Cabinet Height-Upper Door Height: 84"-11 3/4", 87"-14 3/4", 90"-17 3/4", 93"-20 3/4", 96"-23 3/4"

NOTES: SEE FOLLOWING PAGE FOR ADDITIONAL OVEN CABINET DETAILS

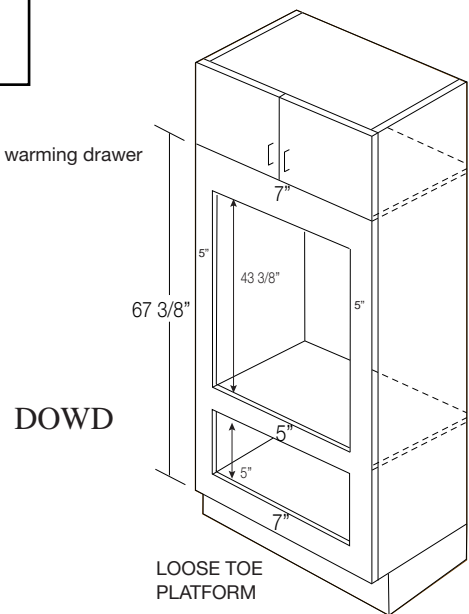
84" HIGH	LIST PRICE	COLUMN A
DOWD2784		
DOWD3084		
DOWD3384		
DOWD3684		

87" HIGH	LIST PRICE	COLUMN A
DOWD2787		
DOWD3087		
DOWD3387		
DOWD3687		

90" HIGH	LIST PRICE	COLUMN A
DOWD2790		
DOWD3090		
DOWD3390		
DOWD3690		

93" HIGH	LIST PRICE	COLUMN A
DOWD2793		
DOWD3093		
DOWD3393		
DOWD3693		

96" HIGH	LIST PRICE	COLUMN A
DOWD2796		
DOWD3096		
DOWD3396		
DOWD3696		



- Oven Panel Opening width = cabinet width minus 8 1/8".

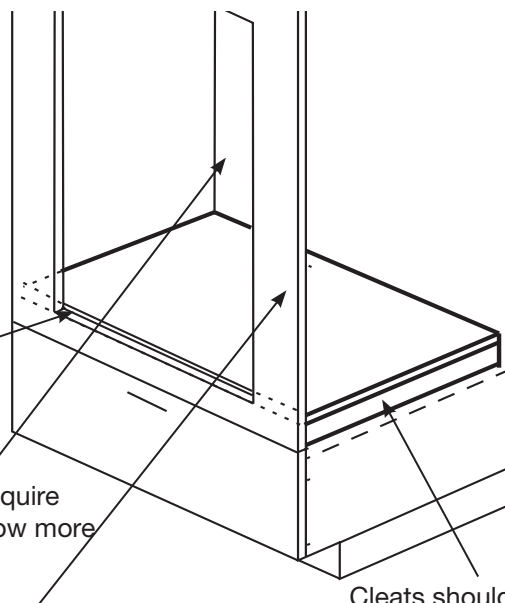
TALL CABINETS

OVEN CABINET NOTES:

It is the responsibility of the installer to securely fasten appliance support cleats and panel (included with all oven cabinets), flush with the cut out opening per appliance instructions. Always refer to appliance instructions prior to installation; Latitude does not take responsibility for incorrect appliance installation.

3/4" thick panel to be installed just slightly above (1/4") the bottom rail of the oven frame to prevent the frame from having weight load

NOTE: Some built in ovens may require the back panel to be cut out to allow more depth; check appliance specs.



Cleats should be screwed into cabinet wall from inside. Set cleat height to compensate for 3/4" thick panel.

Oven panel details:

Flat panel door styles will have a matching flat oven panel with matching edge banding.

Frame and panel door styles will have oven panels built with matching stile and rails.

Oven panels for Rift door styles will be vertical grain direction due to material size constraints.

Oven panels for Moda and Casa door styles will be horizontal pattern direction.

Oven panels for Parma and Monza door styles will be matching vertical pattern flat panels.

TALL OPEN FINISHED - 24" & 12" DEEP

84", 87", 90", 93", 96" HIGH

NOTE: Use open finished interior cabinets to achieve a glass door cabinet with a matching finished interior. See Modifications page MO.101.

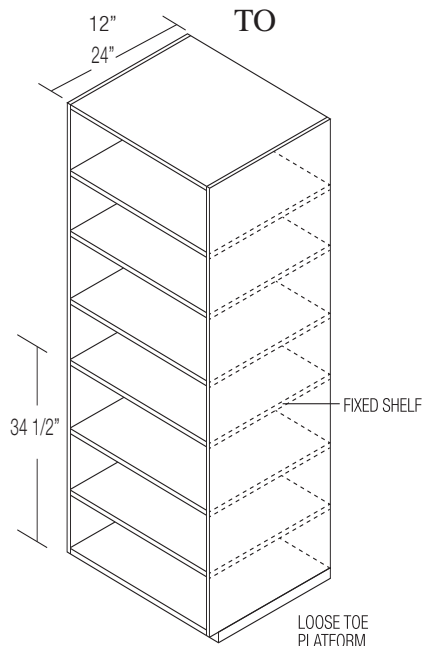
- Cabinets constructed with 3/4" thick sides, top, bottom, and shelves.
- All interior and exterior surfaces are finished to match.
- Case edge band is real wood veneer 'tape' on wood door orders.
- The A grade side of wood veneers will be placed on the interior side of the cabinet unless a finished end is specified, in which case the A side will be used on the exterior side. There is no additional charge for finished ends on this open cabinet.
- Fixed shelf located 34 1/2" from floor.
- Adjustable shelves.
- 4 1/2" high toe kick shipped loose.
- Sides and back will have vertical pattern/grain direction in all door styles except Waves, in which case the pattern will be horizontal.

Modifications:

- Minimum Depth: 4"
- Minimum Width: 9"
- Minimum Height: 78"

24" DEEP TALL OPENS

90" HIGH 24" DEEP	LIST PRICE	COLUMN B	93" HIGH 24" DEEP	LIST PRICE	COLUMN B	96" HIGH 24" DEEP	LIST PRICE	COLUMN B
T01890-24			T01893-24			T01896-24		
T02490-24			T02493-24			T02496-24		
T03090-24			T03093-24			T03096-24		



12" DEEP TALL OPENS

84" HIGH 12" DEEP	LIST PRICE	COLUMN	87" HIGH 12" DEEP	LIST PRICE	COLUMN	90" HIGH 12" DEEP	LIST PRICE	COLUMN	93" HIGH 12" DEEP	LIST PRICE	COLUMN	96" HIGH 12" DEEP	LIST PRICE	COLUMN
T01884-12			T01887-12			T01890-12			T01893-12			T01896-12		
T02484-12			T02487-12			T02490-12			T02493-12			T02496-12		
T03084-12			T03087-12			T03090-12			T03093-12			T03096-12		