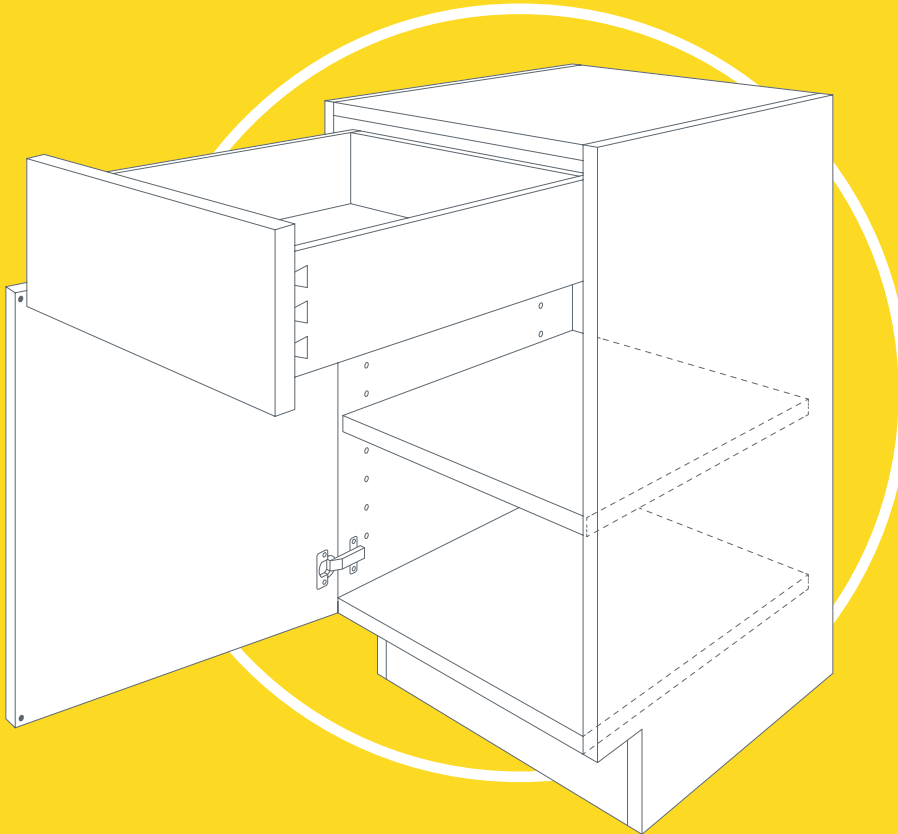




# Vanity Cabinet Configurations



CABINET NOMENCLATURE

## WFD301824

CABINET TYPE	WIDTH	HEIGHT	DEPTH
--------------	-------	--------	-------

ex. **W3036** = Wall Cabinet: 30-in wide x 36-in tall  
*Width x Height x Depth (depth is standard 12-in, so is not noted)*

ex. **4BD18** = Four Base Drawer Cabinet: 18-in wide  
*Height x Depth not noted (these are standard 24-in deep x 34 1/2-in high)*

...

**BASE CABINETS:** Standard 34 1/2-in tall (before countertop) and 24-in deep (not including door/drawer faces).

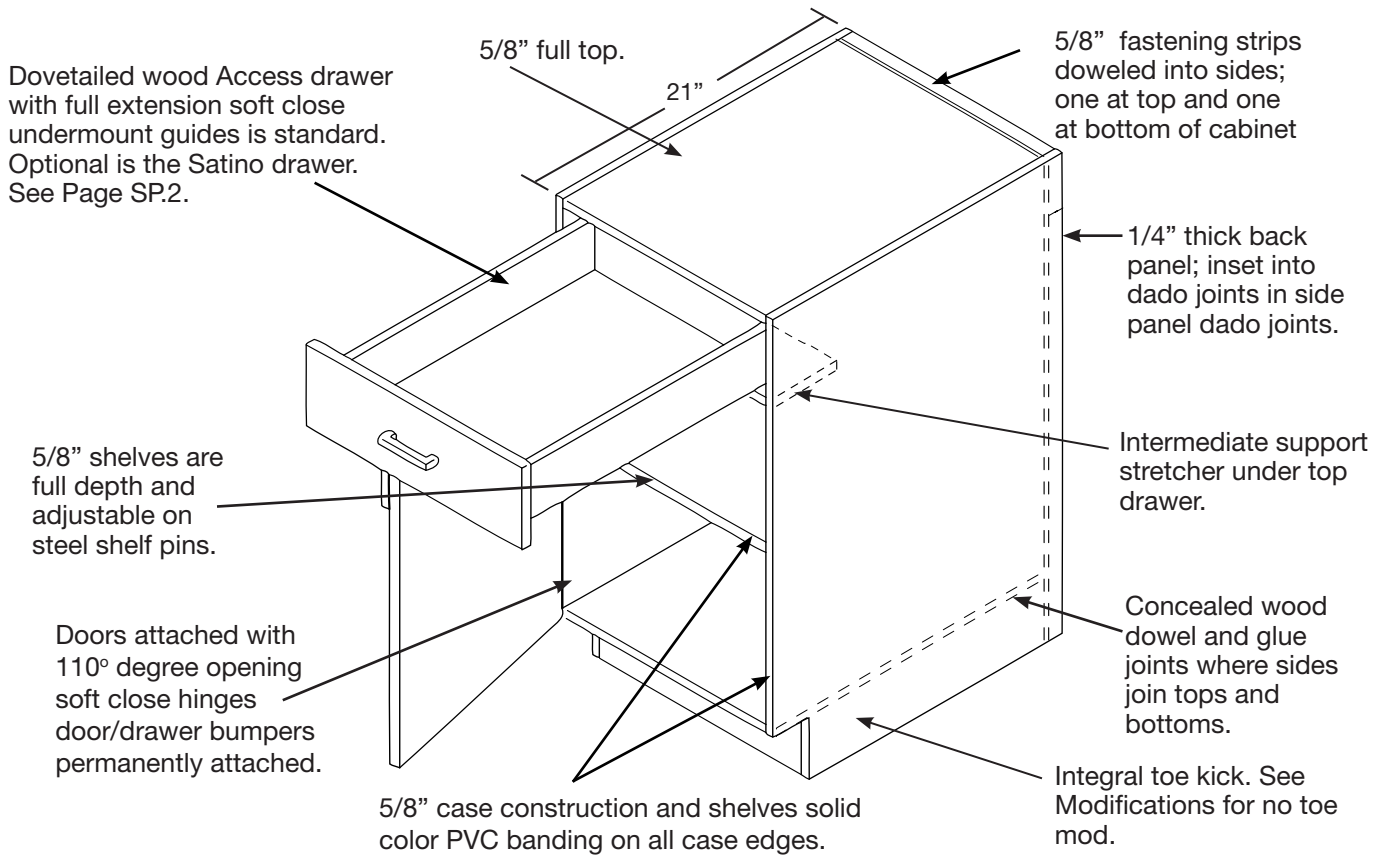
**WALL CABINETS:** Standard 12-in depth. Latitude offers an additional standard 15-in depth.

**TALL CABINETS:** Available in 84, 90, 93, and 96-in heights. 24-in deep with select 12-in deep options.

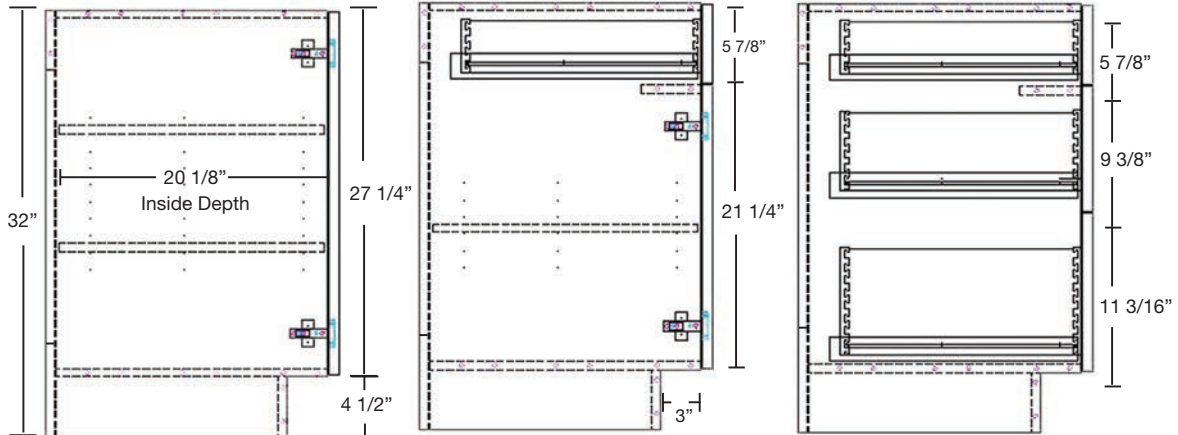
**VANITY CABINETS:** Available in 32-in and 34 1/2-in heights (*not including countertop*). Both are 21-in deep.

Cabinet sizing uses a 3-in increment system for width, height, and depth. Latitude Cabinets offers select base and wall cabinets in 1 1/2-in width increments to allow for design flexibility. Height, width, and depth reductions are also available on most cabinets.

# VANITY CABINET CONSTRUCTION



Door reveals – 1/8" at top and bottom; 1/16" on outside edges; 1/8" between doors/drawers.



DRAWER BOX HEIGHTS & DEPTHS

Cabinet depth = Drawer box depth: Access drawer - 21-19.5"=18"; 19.25-16.75"=15"; 16.5-13.75"=12"; 13.5"-12"=9"  
 Satino drawer - 21-19.5"=19.5"; 20.5-18.75"=17.75"; 18.5-16.75"=15.75";

16.5-14.75"=13.75"; 14.5-12"=10.5"

Drawer box side heights are 4" for standard top drawer; 6" for middle drawer of 3VD; 8" for deep drawers.

with Satino option, standard top drawers will be 4" tall sides; deeper drawers will have same sides with an additional galley rail.

## NOTES

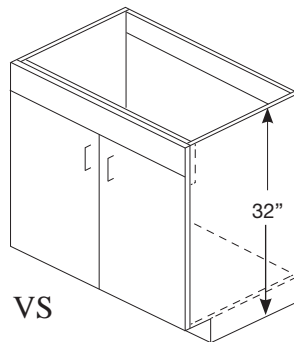
- Vanity cabinets 9-21" wide will have single width door; specify hinge direction.
- Vanity cabinets 24" and wider will have 2 equal width 'butt' doors; reveal or gap between doors will be 1/8" (3mm) once field adjusted.
- Toe kick is built as integral part of the cabinet; the side panels extend to the floor.
- Vanity cabinets 39" & 42" wide will include a 1 1/4" thick full center partition drilled for adjustable shelves on each side.
- Standard white and optional gray and maple melamine construction– exterior surfaces of cabinets will same melamine as interior choice, unless finished ends are specified.
- Birch plywood construction - exterior sides and top of cabinets will be clear coated Birch plywood unless factory finished ends are specified; all interior surfaces and shelves are same clear coat finished Birch plywood.

# VANITY CABINETS 32" HIGH

## VANITY SINK

- 1 false drawer front.
- Full back.
- Standard cabinet depth – 21".
- 18" and 21" models have 1 full width door, specify hinge left or right.
- 24" - 36" have 2 equal width doors.

	LIST PRICE	COLUMN A
VS18		
VS21		
VS24		
VS27		
VS30		
VS33		
VS36		



VS

NOTE: Factory Installed Sink Liner available for this cabinet. See Accessories Page AC.40

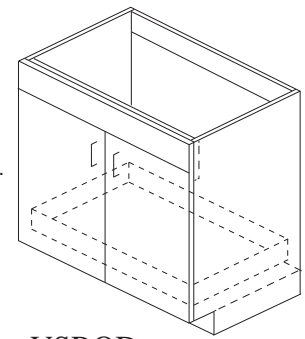
### Modifications:

- o Minimum Depth: 15"
- o Minimum Width: 18"
- o Minimum Height: 20 1/2"

## VANITY SINK ROLLOUT DRAWER

- 1 false drawer front.
- Full back.
- Includes 1 full width roll out.
- Roll out is full extension and soft close.
- Standard cabinet depth – 21".
- 18" and 21" models have 1 full width door, specify hinge left or right.
- 24" - 36" have 2 equal width doors.

	LIST PRICE	COLUMN A
VSR0D18		
VSR0D21		
VSR0D24		
VSR0D27		
VSR0D30		
VSR0D33		
VSR0D36		



VSROD

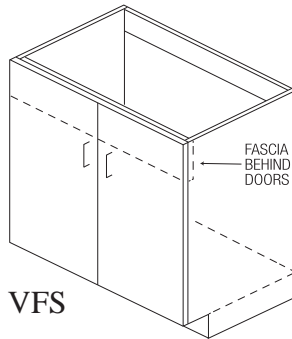
### Modifications:

- o Minimum Depth: 15"
- o Minimum Width: 18"
- o Minimum Height: 20 1/2"

## VANITY FULL HIGH SINK

- Full back.
- 6 5/8" high sink fascia at top behind doors.
- Standard cabinet depth – 21".
- 18" and 21" models have 1 full width door, specify hinge left or right.
- 24" - 36" have 2 equal width doors.

	LIST PRICE	COLUMN A
VFS18		
VFS21		
VFS24		
VFS27		
VFS30		
VFS33		
VFS36		



VFS

NOTE: Factory Installed Sink Liner available for this cabinet. See Accessories Page AC.40

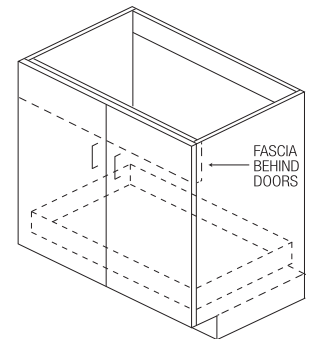
### Modifications:

- o Minimum Depth: 15"
- o Minimum Width: 18"
- o Minimum Height: 20 1/2"

## VANITY FULL HIGH SINK ROLL OUT DRAWER

- Full back.
- Includes 1 full width roll out.
- Roll out is full extension and soft close.
- 6 5/8" high sink fascia at top behind doors.
- Standard cabinet depth – 21".
- 18" and 21" models have 1 full width door, specify hinge left or right.
- 24" - 36" have 2 equal width doors.

	LIST PRICE	COLUMN A
VFSROD18		
VFSROD21		
VFSROD24		
VFSROD27		
VFSROD30		
VFSROD33		
VFSROD36		



VFSROD

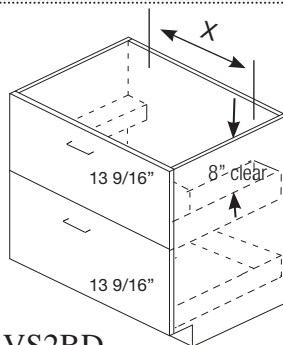
### Modifications:

- o Minimum Depth: 15"
- o Minimum Width: 18"
- o Minimum Height: 20 1/2"

## VANITY SINK TWO BASE DRAWER

- Two drawer sink base provide functional storage around sink
- top drawer face connects to a
- 'U' shaped drawer to clear plumbing and sink
- Inside width of drawer side sections is 4" and 6.5" on the front
- **Modifications:**
  - o Minimum Width: 24"
  - o Minimum Depth: 18"

	LIST PRICE	COLUMN A
VS2BD24		
VS2BD27		
VS2BD30		



VS2BD

### Modifications:

- o Minimum Depth: 15"
- o Minimum Width: 24"
- o Minimum Height: 20 1/2"

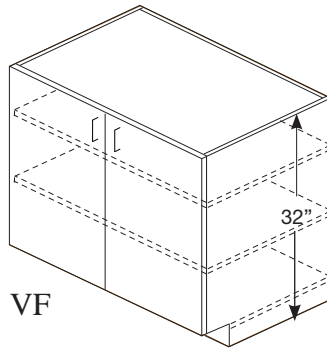
Dimension X notes:

- 24" width base = 11.5" inside clearance between top drawer sides
- 27" width base = 14.5" inside clearance between top drawer sides
- 30" width base = 17.5" inside clearance between top drawer sides

# VANITY CABINETS 32" HIGH

## VANITY FULL HIGH

- Includes 2 adjustable shelves.
- Standard cabinet depth – 21".
- 12" - 21" will have 1 full width, full height door, specify hinge left or right.
- 24" - 36" will have 2 equal width, full height doors.



VF

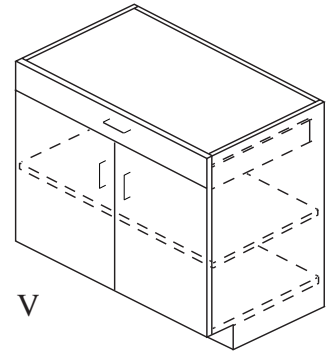
### Modifications:

- o Minimum Depth: 10"
- o Minimum Width: 12"
- o Minimum Height: 12"

	LIST PRICE	COLUMN A
VF12		
VF15		
VF18		
VF21		
VF24		
VF27		
VF30		
VF33		
VF36		

## VANITY

- 1 full width drawer.
- Includes 1 adjustable shelf.
- Standard cabinet depth – 21".
- 12" - 21" will have 1 full width door, specify hinge left or right.
- 24" - 36" will have 2 equal width doors.



V

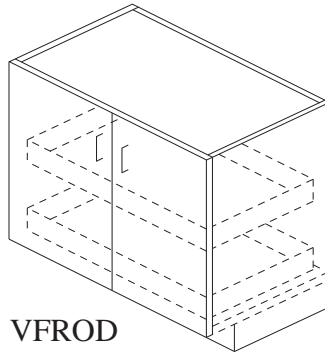
### Modifications:

- o Minimum Depth: 12"
- o Minimum Width: 9"
- o Minimum Height: 20 1/2"

	LIST PRICE	COLUMN A
V12		
V15		
V18		
V21		
V24		
V27		
V30		
V33		
V36		

## VANITY FULL HIGH ROLLOUT DRAWERS

- Includes 2 full width roll outs.
- Roll outs are full extension and soft close.
- Standard cabinet depth – 21".
- 12" - 21" will have 1 full width, full height door, specify hinge left or right.
- 24" - 36" will have 2 equal width, full height doors.



VFROD

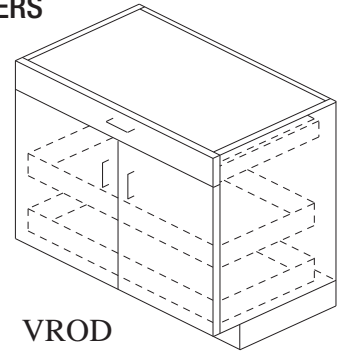
### Modifications:

- o Minimum Depth: 12"
- o Minimum Width: 9"
- o Minimum Height: 20 1/2"

	LIST PRICE	COLUMN A
VFROD12		
VFROD15		
VFROD18		
VFROD21		
VFROD24		
VFROD27		
VFROD30		
VFROD33		
VFROD36		

## VANITY ROLLOUT DRAWERS

- 1 full width drawer.
- Includes 2 full width roll outs.
- Roll outs are full extension and soft close.
- Standard cabinet depth – 21".
- 12" - 21" will have 1 full width door, specify hinge left or right.
- 24" - 36" will have 2 equal width doors.



VROD

### Modifications:

- o Minimum Depth: 12"
- o Minimum Width: 9"
- o Minimum Height: 20 1/2"

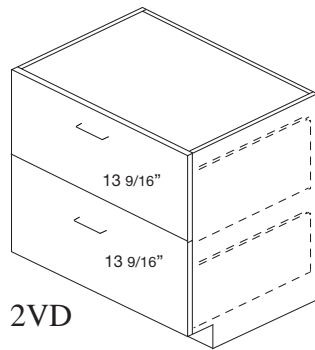
	LIST PRICE	COLUMN A
VROD12		
VROD15		
VROD18		
VROD21		
VROD24		
VROD27		
VROD30		
VROD33		
VROD36		

# VANITY CABINETS 32" HIGH

## TWO VANITY DRAWER

- 12" - 24" will have 2 equal width drawers.
- Standard cabinet depth - 21".

	LIST PRICE	COLUMN A
2VD12		
2VD13.5		
2VD15		
2VD16.5		
2VD18		
2VD19.5		
2VD21		
2VD24		



2VD

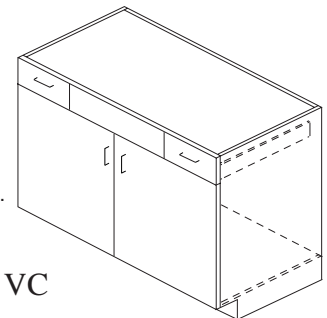
Drawers are 8" tall side heights on Access drawer; Satino drawer will have galley rails

- Modifications:**
- o Minimum Depth: 12"
  - o Minimum Width: 9"
  - o Minimum Height: 20 1/2"

## VANITY COMBINATION

- False drawer front between two active drawers.
- 2 equal width doors. Full back.
- Standard cabinet depth - 21".
- Designed for sink to fit in center.
- Cabinet widths - 36"-42"-9" drawers.
- Cabinet widths - 45"-48"-12" drawers.

	LIST PRICE	COLUMN A
VC36		
VC39		
VC42		
VC45		
VC48		



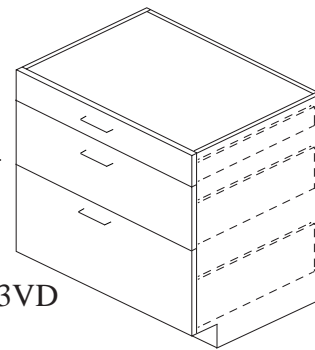
VC

- Modifications:**
- o Minimum Depth: 15"
  - o Minimum Width: N/A
  - o Minimum Height: N/A

## THREE VANITY DRAWER

- Top drawer front height - 5 7/8".
- Second drawer front height - 9 3/8".
- Third drawer front height - 11 13/16".
- Standard cabinet depth - 21".

	LIST PRICE	COLUMN A
3VD12		
3VD13.5		
3VD15		
3VD16.5		
3VD18		
3VD19.5		
3VD21		
3VD24		



3VD

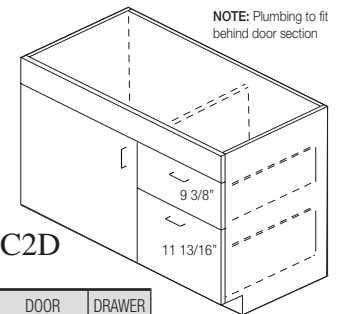
Note: Satino drawer option- drawer side height is 4" on top and middle drawer; bottom drawer will have 2 sets of galley rails for a total height of 10"

- Modifications:**
- o Minimum Depth: 12"
  - o Minimum Width: 9"
  - o Minimum Height: 28 1/2"

## VANITY COMBINATION 2 DRAWER

- Full width false sink front.
- VC2D - 2 active drawers, specify hinge left or right.
- Standard cabinet depth - 21".

	LIST PRICE	COLUMN A
VC2D30		
VC2D33		
VC2D36		
VC2D39		
VC2D42		
VC2D45		
VC2D48		



VC2D

NOTE: Plumbing to fit behind door section

CABINET WIDTH	DOOR WIDTH	DRAWER WIDTH
30	18	12
33	21	12
36	21	15
39	24	15
42	24	18
45	2 @ 13 1/2	18
48	2 @ 15	18

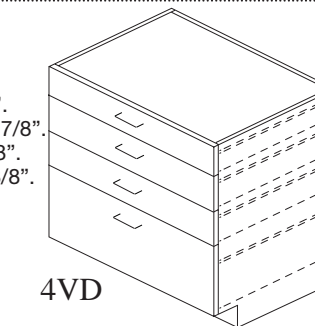
Hinge L shown

Note: Satino drawer option- drawer side height is 4" on top and middle drawer; bottom drawer will have 2 sets of galley rails for a total height of 10".

## FOUR VANITY DRAWER

- Top drawer front height - 5 7/8".
- Second drawer front height - 5 7/8".
- Third drawer front height - 5 7/8".
- Fourth drawer front height - 9 3/8".
- Standard cabinet depth - 21".

	LIST PRICE	COLUMN A
4VD12		
4VD13.5		
4VD15		
4VD16.5		
4VD18		
4VD19.5		
4VD21		
4VD24		



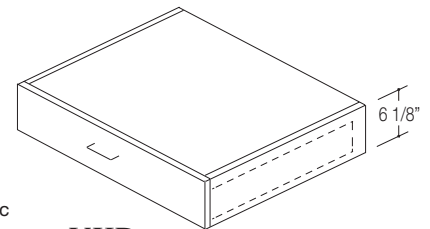
4VD

- Modifications:**
- o Minimum Depth: 12"
  - o Minimum Width: 9"
  - o Minimum Height: 28 1/2"

## VANITY KNEE DRAWER 6" HIGH

- Vanity desk drawer cabinet.
- Drawer front height - 5 7/8".
- Cabinet box height - 6 1/8".
- Standard cabinet depth - 21".
- Solid top.
- See door style page for specific details on face styling

6" HIGH	LIST PRICE	COLUMN A
VKD24		
VKD27		
VKD30		
VKD33		
VKD36		



VKD

- Modifications:**
- o Minimum Depth: 12"
  - o Minimum Width: 12"
  - o Minimum Height: N/A

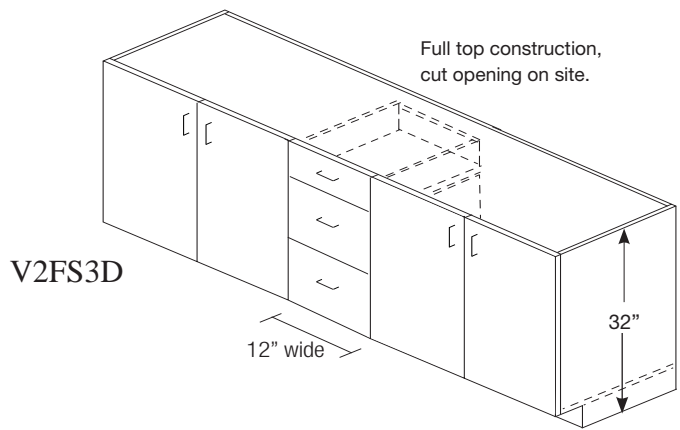
# VANITY CABINETS 32" HIGH

## VANITY FULL HIGH SINK 3 DRAWER

- Cabinet built as single unit.
- Designed for 2 sinks.
- 12" wide 3 drawer stack in the center.
- 21" standard depth.
- 60" = 24" sink space.
- 66" = 27" sink space
- 72" = 30" sink space.

### Modifications:

- Minimum Depth: 15"
- Minimum Width: N/A
- Minimum Height: 28 1/2"



	LIST PRICE	COLUMN A
V2FS3D60		
V2FS3D66		
V2FS3D72		

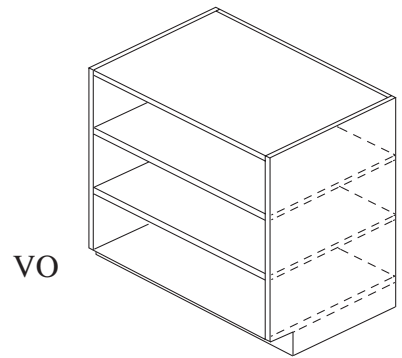
## VANITY OPEN

- 3/4" material construction with finished interior and exterior
- Two adjustable shelves included.
- Specify no charge factory finished ends if exposed side

### Modifications:

- Minimum Depth: 4"
- Minimum Width: 9"
- Minimum Height: 10"

	LIST PRICE	COLUMN B
V012		
V015		
V018		
V021		
V024		
V027		
V030		
V033		
V036		



## SURFACE MEDICINE CABINET

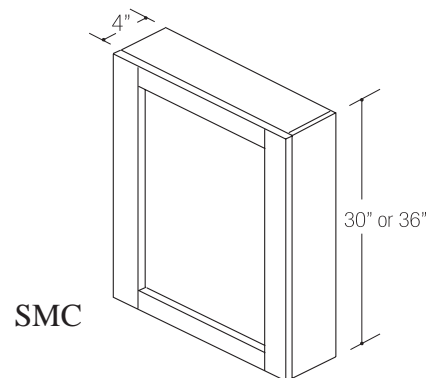
- 4" deep wall cabinet.
- Adjustable shelves.
- Single full width door.
- Specify hinge left or right.
- Specify finished ends (not included).
- Three adjustable shelves included.
- For field install mirror, modify door to Frame A.

### Modifications:

- Minimum Depth: 4"
- Minimum Width: 9"
- Minimum Height: 10"

30" HIGH	LIST PRICE	COLUMN A
SMC1530		
SMC1830		
SMC2130		

36" HIGH	LIST PRICE	COLUMN A
SMC1536		
SMC1836		
SMC2136		



# VANITY CABINETS OUTLET DOCKING DRAWER

## OUTLET DOCKING DRAWER INSERT VANITY CABINET

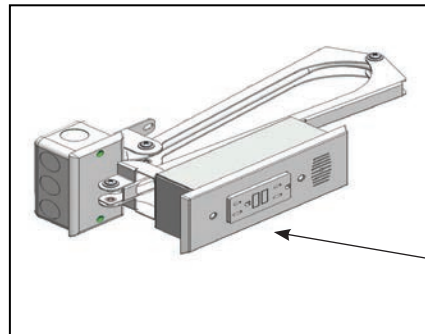
These vanity cabinets include a factory installed powered 120 V docking station called 'Docking Drawer'.

Docking Drawer is a UL approved purpose-built unit providing a safe and clutter free solution for powering typical vanity items such as curling irons and hair dryers.

The Outlet Docking Drawer is factory installed into middle drawer (3VDOI, 3BHVDOI) and bottom drawer (3VDWHOI). All that is required on the job site is hardwiring from a 120V source into the J-box of the Outlet Docking Drawer unit, which will be out of site, behind the drawer.

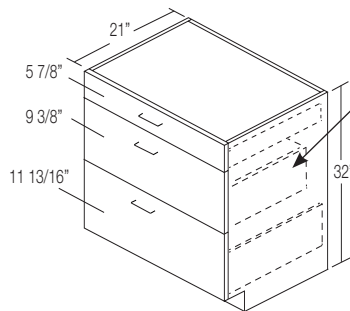
- Unit is ETL listed to UL962a & CSA-C22.2 standards
- Built in circuit breaker
- Two 120V GFI AC outlets
- The drawer box including the Docking Drawer unit will be 15" deep instead of standard 18" drawer for 21" deep vanity cabinets. This provides the clearance needed for the cord management pivot arm.
- Docking Drawer installed in left corner of drawer. Drawer can be removed from cabinet by first removing face cover plate.
- Cover plate is black

### • No modifications



- Requires hardwire connections to J-Box (included)
- 2 - 102V GFI AC outlets
- Powers any device up to 20 amps (hairdryers, curling irons, ...)
- Has built in manual reset thermostat
- Pivot arm keeps power chord from binding as drawer is opened and closed; tested to 500,000 cycles.
- Only the black face plate and re-set button will show inside the drawer, all other parts are concealed behind the drawer.

OUTLET DOCKING DRAWER INSERT in this drawer. Drawer box is shortened to 15" to accommodate pivot arm and power cord.

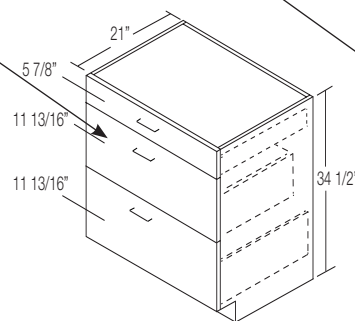


3VDOI

- Standard 21" deep three drawer vanity
- Middle drawer will be 15" deep
- Outlet Docking Drawer factory installed

### • NO MODIFICATIONS

	LIST PRICE	COLUMN A
3VDOI15		
3VDOI16.5		
3VDOI18		

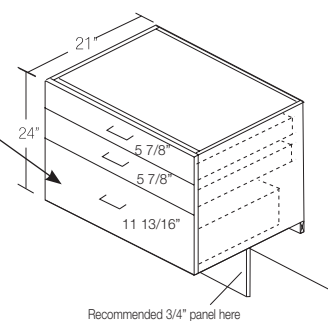


3BHVDOI

- Standard 21" deep BASE HEIGHT three drawer vanity
- Middle drawer will be 15" deep
- Outlet Docking Drawer factory installed

### • NO MODIFICATIONS

	LIST PRICE	COLUMN A
3BHVD015		
3BHVD016.5		
3BHVD018		



3VDWHOI

- Standard 21" deep WALL HUNG three drawer vanity
- Bottom drawer will be 15" deep
- Outlet Docking Drawer factory installed

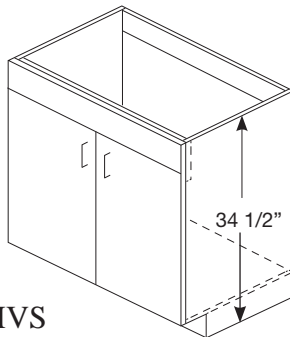
### • NO MODIFICATIONS

	LIST PRICE	COLUMN A
3VDWHO15		
3VDWHO16.5		
3VDWHO18		

# BASE HIGH VANITY CABINETS 34 1/2" HIGH

## BASE HIGH VANITY SINK

- 1 false drawer front.
- Full back.
- Standard cabinet depth – 21".
- 18" and 21" models have 1 full width door, specify hinge left or right.
- 24" - 36" will have 2 equal width doors.



### BHVS

NOTE: Factory Installed Sink Liner available for this cabinet. See Accessories Page AC.40

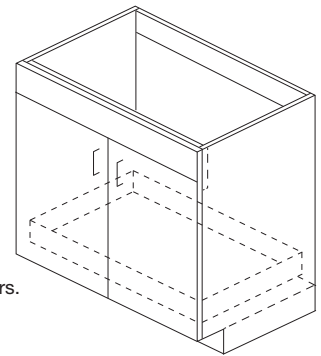
#### Modifications:

- o Minimum Depth: 15"
- o Minimum Width: 18"
- o Minimum Height: 20 1/2"

	LIST PRICE	COLUMN A
BHVS18		
BHVS21		
BHVS24		
BHVS27		
BHVS30		
BHVS33		
BHVS36		

## BASE HIGH VANITY SINK ROLLOUT DRAWER

- 1 false drawer front.
- Full back.
- Includes 1 full width roll out.
- Roll out is full extension and soft close.
- Standard cabinet depth – 21".
- 18" and 21" models have 1 full width door, specify hinge left or right.
- 24" - 36" will have 2 equal width doors.



### BHVSROD

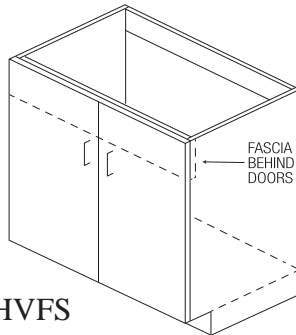
	LIST PRICE	COLUMN A
BHVSROD18		
BHVSROD21		
BHVSROD24		
BHVSROD27		
BHVSROD30		
BHVSROD33		
BHVSROD36		

#### Modifications:

- o Minimum Depth: 15"
- o Minimum Width: 18"
- o Minimum Height: 20 1/2"

## BASE HIGH VANITY FULL HIGH SINK

- Full back.
- Standard cabinet depth – 21".
- 6 5/8" high sink fascia at top behind doors. Matches door material and color.
- 18" and 21" models have 1 full width door, specify hinge left or right.
- 24" - 36" will have 2 equal width doors.



### BHVFS

NOTE: Factory Installed Sink Liner available for this cabinet. See Accessories Page AC.40

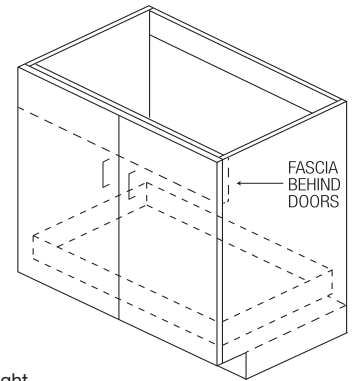
#### Modifications:

- o Minimum Depth: 15"
- o Minimum Width: 18"
- o Minimum Height: 20 1/2"

	LIST PRICE	COLUMN A
BHVFS18		
BHVFS21		
BHVFS24		
BHVFS27		
BHVFS30		
BHVFS33		
BHVFS36		

## BASE HIGH VANITY FULL HIGH SINK ROLLOUT DRAWER

- Full back.
- Includes 1 full width roll out.
- Roll out is full extension and soft close.
- Standard cabinet depth – 21".
- 6 5/8" high sink fascia at top behind doors. Matches door material and color.
- 18" and 21" models have 1 full width door, specify hinge left or right.
- 24" - 36" will have 2 equal width doors.



### BHVFSROD

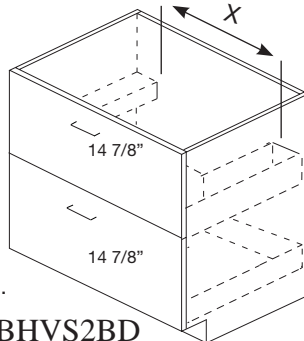
	LIST PRICE	COLUMN A
BHVFSROD18		
BHVFSROD21		
BHVFSROD24		
BHVFSROD27		
BHVFSROD30		
BHVFSROD33		
BHVFSROD36		

#### Modifications:

- o Minimum Depth: 15"
- o Minimum Width: 18"
- o Minimum Height: 20 1/2"

## BASE HIGH VANITY SINK TWO BASE DRAWER

- Two drawer sink base provides functional storage around sink
- Two equal drawer faces @ 14 7/8"
- Top drawer face connects to a 'U' shaped drawer to clear plumbing and sink
- Inside width of drawer side sections is 4" and 6.5" on the front.



### BHVS2BD

10" clear top to drawer

	LIST PRICE	COLUMN A
BHVS2BD24		
BHVS2BD27		
BHVS2BD30		

#### Modifications:

- o Minimum Depth: 15"
- o Minimum Width: 24"
- o Minimum Height: 20 1/2"

24" width base, X=11.5" inside clearance between top drawer sides  
 27" width base, X=14.5" inside clearance between top drawer sides  
 30" width base, X=17.5" inside clearance between top drawer sides



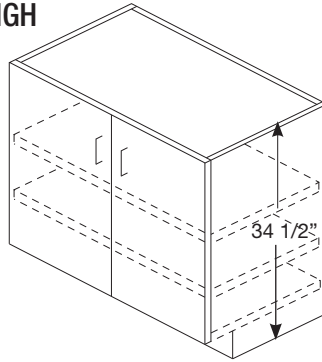
# BASE HIGH VANITY CABINETS 34 1/2" HIGH

## BASE HIGH VANITY FULL HIGH

- 12" - 21" will have 1 full width door, specify hinge left or right.
- 24" - 36" will 2 equal width doors.
- 2 adjustable shelves.
- Standard cabinet depth - 21".

### Modifications:

- Minimum Depth: 4"
- Minimum Width: 9"
- Minimum Height: 20 1/2"



BHVF

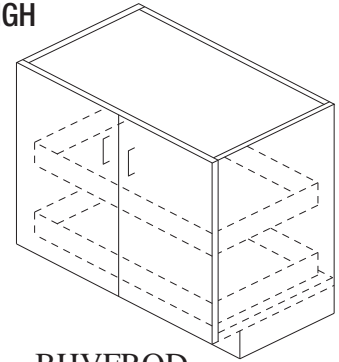
	LIST PRICE	COLUMN A
BHVF12		
BHVF15		
BHVF18		
BHVF21		
BHVF24		
BHVF27		
BHVF30		
BHVF33		
BHVF36		

## BASE HIGH VANITY FULL HIGH ROLLOUT DRAWERS

- 12" - 21" will have 1 full width door, specify hinge left or right.
- 24" - 36" will 2 equal width doors
- Includes 2 full width roll outs.
- Roll outs are full extension and soft close.
- Standard cabinet depth - 21".

### Modifications:

- Minimum Depth: 12"
- Minimum Width: 9"
- Minimum Height: 20 1/2"



BHVFROD

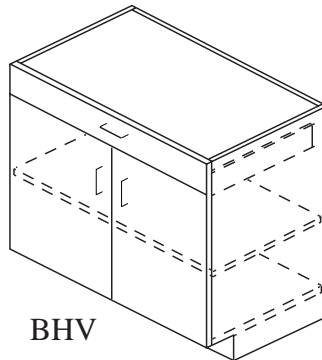
	LIST PRICE	COLUMN A
BHVFROD12		
BHVFROD15		
BHVFROD18		
BHVFROD21		
BHVFROD24		
BHVFROD27		
BHVFROD30		
BHVFROD33		
BHVFROD36		

## BASE HIGH VANITY

- 1 full width drawer.
- 12" - 21" will have 1 full width door, specify hinge left or right.
- 24" - 36" will 2 equal width doors.
- 1 adjustable shelf.
- Standard cabinet depth - 21".

### Modifications:

- Minimum Depth: 12"
- Minimum Width: 9"
- Minimum Height: 20 1/2"



BHV

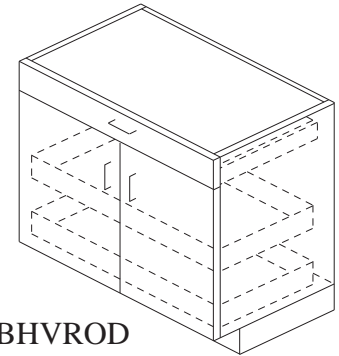
	LIST PRICE	COLUMN A
BHV12		
BHV15		
BHV18		
BHV21		
BHV24		
BHV27		
BHV30		
BHV33		
BHV36		

## BASE HIGH VANITY ROLLOUT DRAWER

- 1 full width drawer.
- 12" - 21" will have 1 full width door, specify hinge left or right.
- 24" - 36" will 2 equal width doors.
- Includes 2 full width roll outs.
- Roll outs are full extension and soft close.
- Standard cabinet depth - 21".

### Modifications:

- Minimum Depth: 12"
- Minimum Width: 9"
- Minimum Height: 20 1/2"



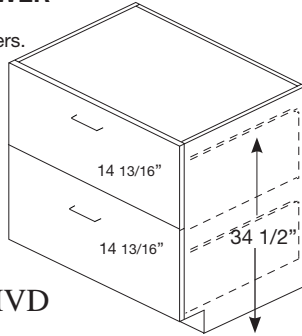
BHVRD

	LIST PRICE	COLUMN A
BHVRD12		
BHVRD15		
BHVRD18		
BHVRD21		
BHVRD24		
BHVRD27		
BHVRD30		
BHVRD33		
BHVRD36		

# BASE HIGH VANITY CABINETS 34 1/2" HIGH

## TWO BASE HIGH VANITY DRAWER

- 12" - 24" will have 2 equal width drawers.
- Standard cabinet depth - 21".



### 2BHVD

Drawers are 8" tall side heights on Access drawer; Satino drawer will have galley rails

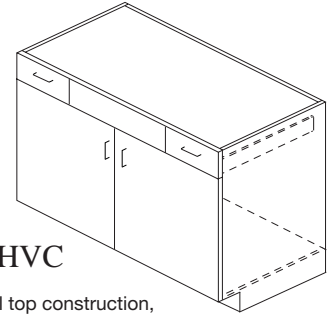
#### Modifications:

- o Minimum Depth: 12"
- o Minimum Width: 9"
- o Minimum Height: 20 1/2"

	LIST PRICE	COLUMN A
2BHVD12		
2BHVD13.5		
2BHVD15		
2BHVD16.5		
2BHVD18		
2BHVD19.5		
2BHVD21		
2BHVD24		

## BASE HIGH VANITY COMBINATION

- False drawer front between two active drawers.
- 2 equal width doors. Full back.
- Standard cabinet depth - 21".
- Designed for sink to fit in center.
- Cabinet widths - 36" - 42" = 9" drawers.
- Cabinet widths - 45" - 48" = 12" drawers.



### BHVC

Full top construction, cut opening on site.

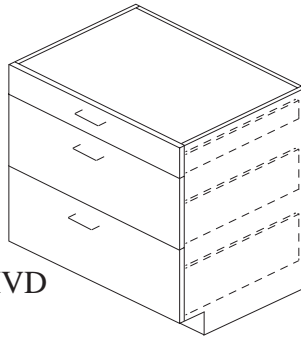
	LIST PRICE	COLUMN A
BHVC36		
BHVC39		
BHVC42		
BHVC45		
BHVC48		

#### Modifications:

- o Minimum Depth: 15"
- o Minimum Width: N/A
- o Minimum Height: 28 1/2"

## THREE BASE HIGH VANITY DRAWER

- Top drawer front height - 5 7/8".
- Second drawer front height - 11 13/16".
- Third drawer front height - 11 13/16".
- Standard cabinet depth - 21".



### 3BHVD

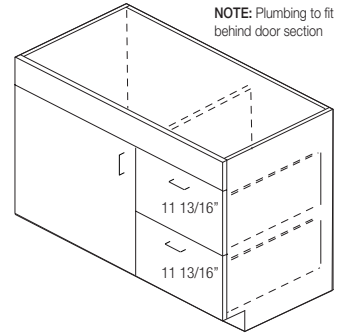
#### Modifications:

- o Minimum Depth: 12"
- o Minimum Width: 9"
- o Minimum Height: 28 1/2"

	LIST PRICE	COLUMN A
3BHVD12		
3BHVD13.5		
3BHVD15		
3BHVD16.5		
3BHVD18		
3BHVD19.5		
3BHVD21		
3BHVD24		

## BASE HIGH VANITY COMBINATION 2 DRAWER

- Full width false sink front.
- 2 active drawers.
- 1 door specify hinge left or right.
- Standard cabinet depth - 21".



#### Modifications:

- o Minimum Depth: 15"
- o Minimum Width: N/A
- o Minimum Height: 28 1/2"

	LIST PRICE	COLUMN A
BHVC2D30		
BHVC2D33		
BHVC2D36		
BHVC2D39		
BHVC2D42		
BHVC2D45		
BHVC2D48		

CABINET WIDTH	DOOR WIDTH	DRAWER WIDTH
30	18	12
33	21	12
36	21	15
39	24	15
42	24	18
45	2 @ 13 1/2	18
48	2 @ 15	18

### BHVC2D

Hinge L shown

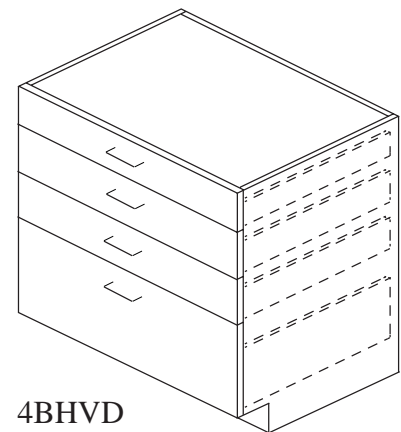
## FOUR BASE HIGH VANITY DRAWER

- Top drawer front height - 5 7/8".
- Second drawer front height - 5 7/8".
- Third drawer front height - 5 7/8".
- Fourth drawer front height - 11 13/16".
- Standard cabinet depth - 21".

#### Modifications:

- o Minimum Depth: 12"
- o Minimum Width: 9"
- o Minimum Height: 28 1/2"

	LIST PRICE	COLUMN A
4BHVD12		
4BHVD13.5		
4BHVD15		
4BHVD16.5		
4BHVD18		
4BHVD19.5		
4BHVD21		
4BHVD24		



### 4BHVD

# BASE HIGH VANITY CABINETS 34 1/2" HIGH

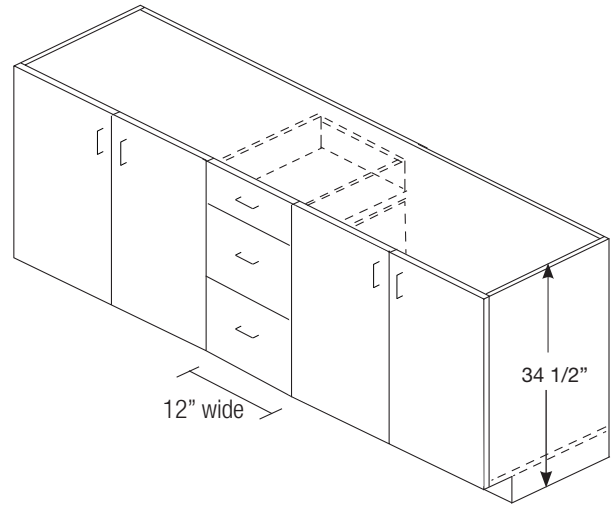
## BASE HIGH VANITY FULL HIGH SINK 3 DRAWER

- Cabinet built as single unit.
- Designed for 2 sinks.
- 12" wide 3 drawer stack in the center.
- 21" standard depth.
- 60" = 24" sink space.
- 66" = 27" sink space
- 72" = 30" sink space.

**Modifications:**

- Minimum Depth: 15"
- Minimum Width: N/A
- Minimum Height: 28 1/2"

	LIST PRICE	COLUMN A
BHV2FS3D60		
BHV2FS3D66		
BHV2FS3D72		



**BHV2FS3D**

Full top construction,  
cut opening on site.

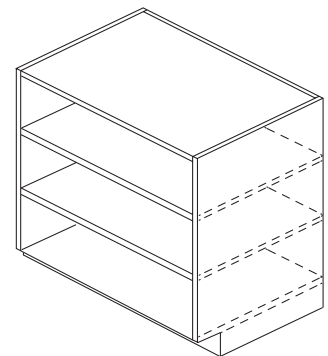
## BASE HIGH VANITY OPEN

- **3/4" material construction with finished interior and exterior**
- Two adjustable shelves included.
- Specify no charge factory finished ends if exposed side

**Modifications:**

- Minimum Depth: 4"
- Minimum Width: 9
- Minimum Height: 20 1/2"

34 1/2" HIGH	LIST PRICE	COLUMN B
BHV012		
BHV015		
BHV018		
BHV021		
BHV024		
BHV027		
BHV030		
BHV033		
BHV036		



**BHVO**

# WALL HUNG VANITY CABINETS 24" HIGH

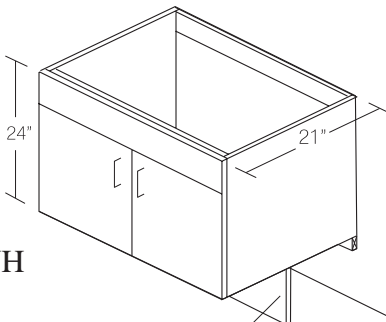
## VANITY SINK WALL HUNG 24" HIGH

- One false drawer front.
- Full back.
- Standard cabinet depth – 21".
- 24" and wider have two equal doors.
- 18" and 21" models have one full width door, specify hinge left or right.

### Modifications:

- Minimum Depth: 15"
- Minimum Width: 18"
- Minimum Height: N/A

24" HIGH	LIST PRICE	COLUMN A
VSWH18		
VSWH21		
VSWH24		
VSWH27		
VSWH30		
VSWH33		
VSWH36		



VSWH

Recommended 3/4" panel here  
For support, set in 12" ±, from front

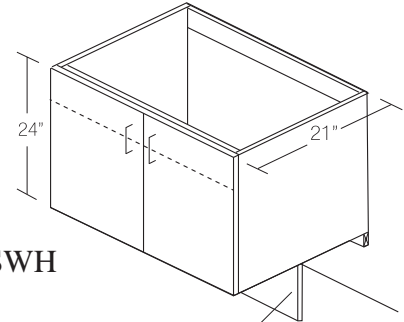
## VANITY FULL HIGH SINK WALL HUNG 24" HIGH

- Full back.
- Standard cabinet depth – 21".
- 6 5/8" high sink fascia at top behind doors.
- 18" and 21" models have one full width door, specify hinge left or right.
- 24" and wider have two equal doors.

### Modifications:

- Minimum Depth: 15"
- Minimum Width: 18"
- Minimum Height: N/A

24" HIGH	LIST PRICE	COLUMN A
VFSWH18		
VFSWH21		
VFSWH24		
VFSWH27		
VFSWH30		
VFSWH33		
VFSWH36		



VFSWH

Recommended 3/4" panel here  
For support, set in 12" ±, from front

NOTE: Factory Installed Sink Liner available for these two cabinets. See Accessories Page AC.40

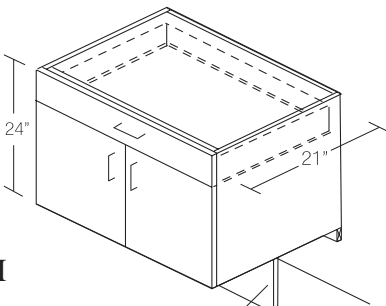
## VANITY WALL HUNG 24" HIGH

- One full width drawer.
- One full width door on 12" - 21", specify hinge left or right.
- 24" - 36" will have two equal width doors on 24" - 36", specify hinge right or left.
- One adjustable shelf.
- Standard cabinet depth – 21".

### Modifications:

- Minimum Depth: 15"
- Minimum Width: 18"
- Minimum Height: N/A

24" HIGH	LIST PRICE	COLUMN A
VWH12		
VWH15		
VWH18		
VWH21		
VWH24		
VWH27		
VWH30		
VWH33		
VWH36		



VWH

Recommended 3/4" panel here  
For support, set in 12" ±, from front

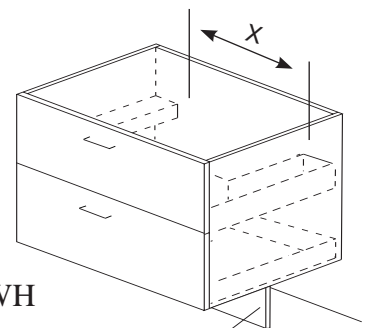
## VANITY SINK 2 BASE DRAWER WALL HUNG 24" HIGH

- Two drawer sink base provides functional storage around sink.
- Top drawer face connects to a 'U' shaped drawer to clear plumbing and sink.
- Inside width of drawer side sections is 4" and 6.5" on the front.

### Modifications:

- Minimum Depth: 15"
- Minimum Width: 24"
- Minimum Height: N/A

	LIST PRICE	COLUMN A
VS2BDWH24		
VS2BDWH27		
VS2BDWH30		



VS2BDWH

Recommended 3/4" panel here  
For support, set in 12" ±, from front

### Dimension X notes:

- 24" width base = 11.5" inside clearance between top drawer sides
- 27" width base = 14.5" inside clearance between top drawer sides
- 30" width base = 17.5" inside clearance between top drawer sides

# WALL HUNG VANITY CABINETS 24" HIGH

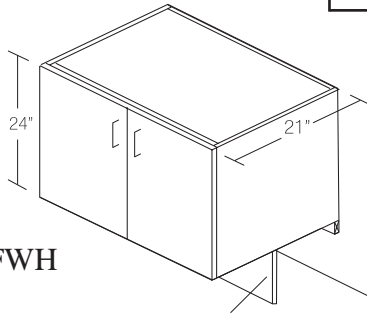
## VANITY FULL HIGH WALL HUNG 24" High

- Two full width, full height doors, specify hinge side.
- Two adjustable shelves included.
- Standard cabinet depth – 21".
- 24" - 36" will have two equal width, full height doors..
- Standard cabinet depth – 21".

### Modifications:

- Minimum Depth: 12"
- Minimum Width: 9"
- Minimum Height: N/A

24" HIGH	LIST PRICE	COLUMN A
VFWH12		
VFWH15		
VFWH18		
VFWH21		
VFWH24		
VFWH27		
VFWH30		
VFWH33		
VFWH36		



VFWH

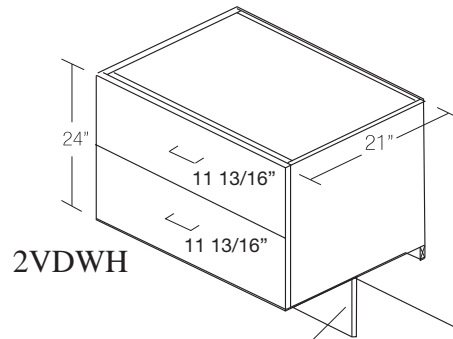
Recommended 3/4" panel here  
For support, set in 12" ±, from front

## TWO VANITY DRAWER WALL HUNG 24" High

### Modifications:

- Minimum Depth: 12"
- Minimum Width: 9"
- Minimum Height: N/A

24" HIGH	LIST PRICE	COLUMN A
2VDWH12		
2VDWH15		
2VDWH18		
2VDWH21		
2VDWH24		



2VDWH

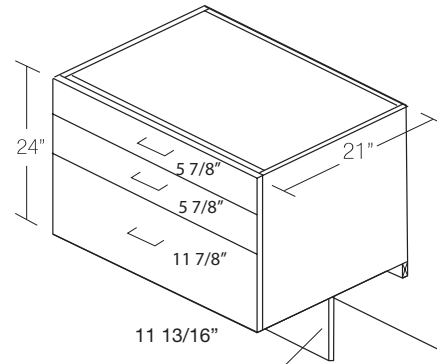
Recommended 3/4" panel here  
For support, set in 12" ±, from front

## THREE VANITY DRAWER WALL HUNG 24" High

### Modifications:

- Minimum Depth: 12"
- Minimum Width: 9"
- Minimum Height: N/A

24" HIGH	LIST PRICE	COLUMN A
3VDWH12		
3VDWH15		
3VDWH18		
3VDWH21		
3VDWH24		



3VDWH

Recommended 3/4" panel here  
For support, set in 12" ±, from front