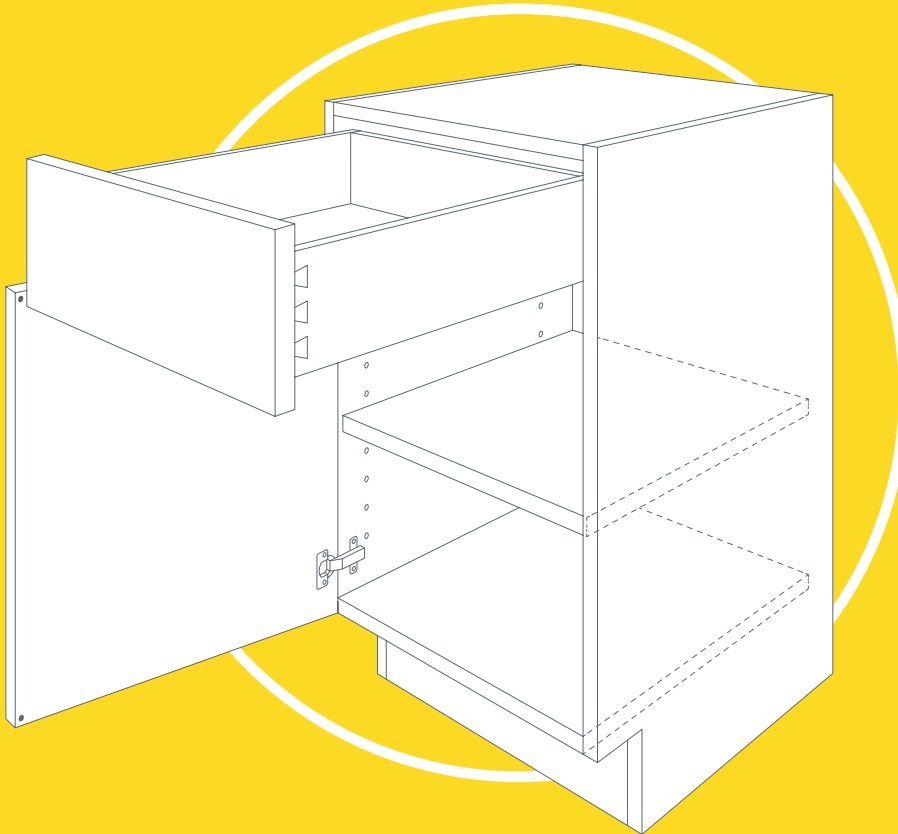




# Base Cabinet Configurations



CABINET NOMENCLATURE

## WFD301824

CABINET TYPE	WIDTH	HEIGHT	DEPTH
--------------	-------	--------	-------

ex. **W3036** = Wall Cabinet: 30-in wide x 36-in tall  
*Width x Height x Depth (depth is standard 12-in, so is not noted)*

ex. **4BD18** = Four Base Drawer Cabinet: 18-in wide  
*Height x Depth not noted (these are standard 24-in deep x 34 1/2-in high)*

...

**BASE CABINETS:** Standard 34 1/2-in tall (before countertop) and 24-in deep (not including door/drawer faces).

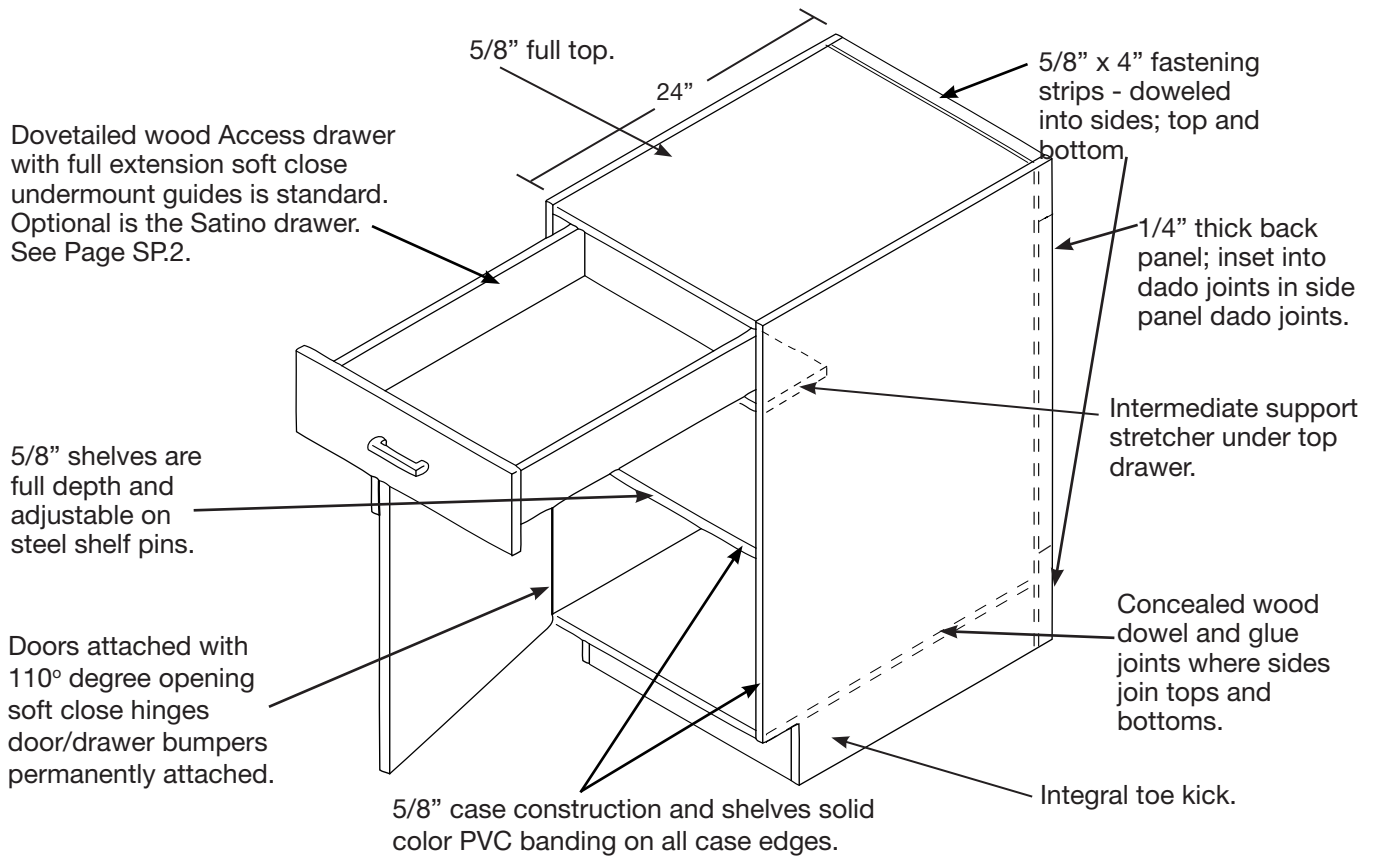
**WALL CABINETS:** Standard 12-in depth. Latitude offers an additional standard 15-in depth.

**TALL CABINETS:** Available in 84, 90, 93, and 96-in heights. 24-in deep with select 12-in deep options.

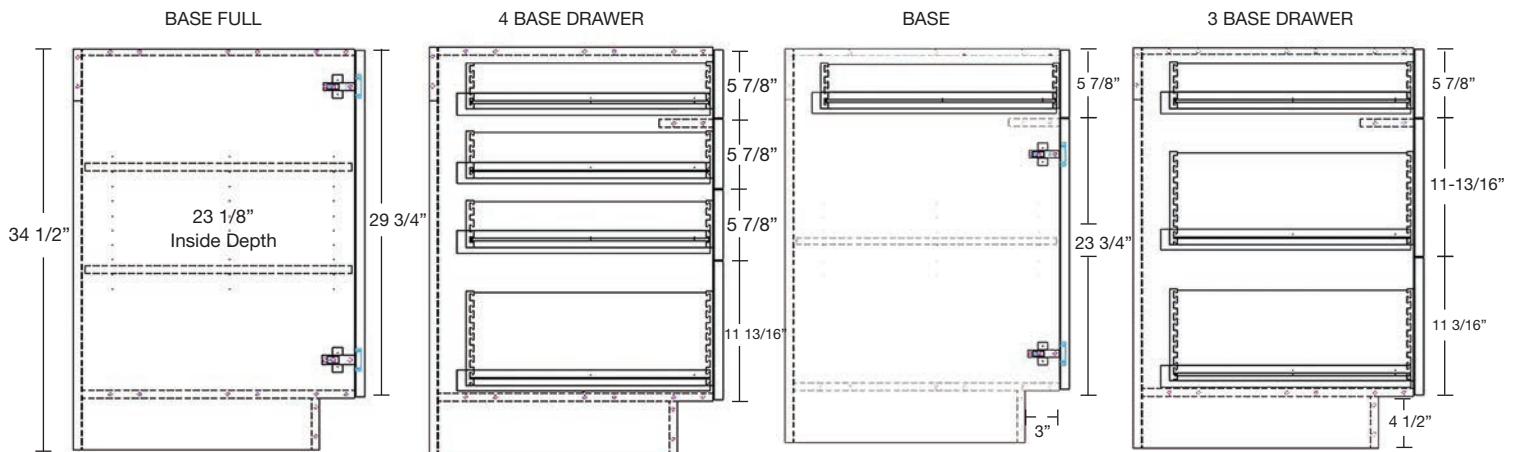
**VANITY CABINETS:** Available in 32-in and 34 1/2-in heights (*not including countertop*). Both are 21-in deep.

Cabinet sizing uses a 3-in increment system for width, height, and depth. Latitude Cabinets offers select base and wall cabinets in 1 1/2-in width increments to allow for design flexibility. Height, width, and depth reductions are also available on most cabinets.

# BASE CABINET CONSTRUCTION



Door reveals – 1/8" at top and bottom; 1/16" on outside edges; 1/8" between doors/drawers.



Cabinet depth = Drawer box depth: Access drawer - 24-22.75"=21"; 22.5-19.5"=18"; 19.25-16.75"=15"; 16.5-13.75"=12"; 13.5"-12"=9"  
 Satino drawer - 24-22.5"=21.5"; 22.25"-19.5"=19.5"; 20.5-18.75"=17.75"; 18.5-16.75"=15.75";  
 16.5-14.75"=13.75"; 14.5-12"=10.5"

Drawer box side heights are: 4" for standard top drawers, 8" for deep drawers. With Satino drawer option; all drawers are 4" side height, deep drawer will have an additional galley rail.

- Base cabinets 9-21" wide will have single width door; specify hinge direction.
- Base cabinets 24" and wider will have 2 equal width 'butt' doors; reveal or gap between doors will be 1/8" (3mm) once field adjusted.
- Toe kick is built as integral part of the cabinet; the side panels extend to the floor.
- Base cabinets 39" & 42" wide will include a 1 1/4" thick full center partition drilled for adjustable shelves on each side.
- Standard white and optional maple and gray melamine iconstruction – exterior sides and of base cabinets will be same melamine as interior, unless factory finished ends are specified
- Birch plywood option details- exterior sides and top of base cabinets will be Birch plywood unless factory finished ends are specified; all interior surfaces and shelves are same clear coated Birch plywood.
- Minimum depth of cabinet with drawer is 12", without drawer is 4".

# BASE CABINETS

UNLESS NOTED DIFFERENTLY, ALL BASE CABINETS ARE 34 1/2" HIGH X 24" DEEP

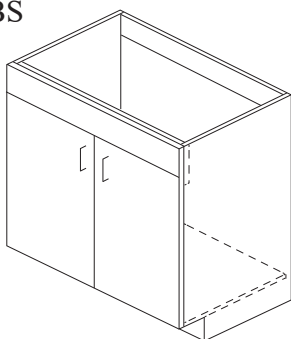
## BASE SINK BS

- 18" - 21" wide base cabinets will have a single door, specify hinge left or right.
- 24" - 42" wide base cabinets will have double doors of equal width.

### Modifications:

- o Minimum Depth: 15"
- o Minimum Width: 18"
- o Minimum Height: 20 1/2"

BS



**NOTE: Factory Installed Sink Liner available for this cabinet. See Accessories Page AC.37**

For 27" deep sink base, use the Range Base 27 deep shown on BC.70

	LIST PRICE	COLUMN A
BS18		
BS21		
BS24		
BS27		
BS30		
BS33		
BS36		
BS39		
BS42		

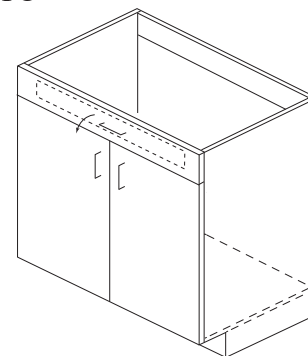
## BASE SINK TILT OUT BSTO

BSTO

- These sink bases will include factory installed white polymer tilt out trays.
- Shallow trays are used to accommodate undermount sinks.

### Modifications:

- o Minimum Depth: 15"
- o Minimum Width: 18"
- o Minimum Height: 20 1/2"



**NOTE: Factory Installed Sink Liner available for this cabinet. See Accessories Page AC.37**

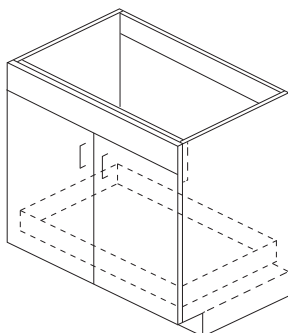
	LIST PRICE	COLUMN A
BSTO18		
BSTO21		
BSTO24		
BSTO27		
BSTO30		
BSTO33		
BSTO36		
BSTO42		

## BASE SINK ROLLOUT DRAWER BSRD

- Includes 1 full width roll out, same construction as other drawers
- Full extension soft close rollout included.
- 18" - 21" wide base cabinets will have a single door, specify hinge left or right.
- 24" - 36" wide base cabinets will have double doors of equal width.

### Modifications:

- o Minimum Depth: 15"
- o Minimum Width: 18"
- o Minimum Height: 20 1/2"



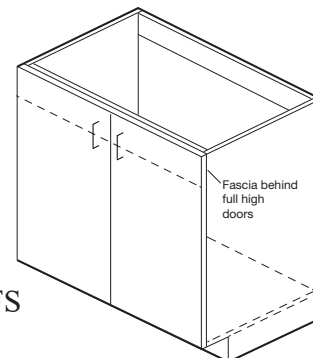
	LIST PRICE	COLUMN A
BSROD18		
BSROD21		
BSROD24		
BSROD27		
BSROD30		
BSROD33		
BSROD36		

## BASE FULL HIGH SINK DOOR BFS

- 18" - 21" wide base cabinets will have a single door, specify hinge left or right.
- 24" - 42" wide base cabinets will have double doors of equal width.

### Modifications:

- o Minimum Depth: 15"
- o Minimum Width: 18"
- o Minimum Height: 20 1/2"



BFS

**NOTE: Factory Installed Sink Liner available for this cabinet. See Accessories Page AC.37**

	LIST PRICE	COLUMN A
BFS18		
BFS21		
BFS24		
BFS27		
BFS30		
BFS33		
BFS36		
BFS39		
BFS42		

**SINK BASE CABINETS CONTINUE ON NEXT PAGE**

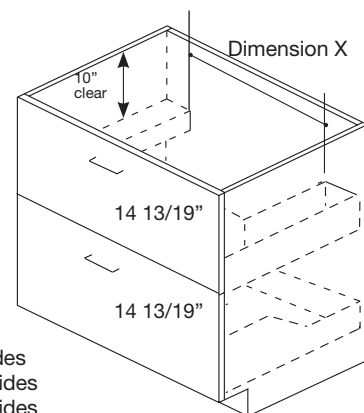
# BASE CABINETS

UNLESS NOTED DIFFERENTLY, ALL BASE CABINETS ARE 34 1/2" HIGH X 24" DEEP

## BASE SINK TWO BASE DRAWERS

BS2BD

- Sink base designed to provide clean continuous styling of deep drawer cabinets.
- Drawer heights align with standard 2BD's.
- Top drawer face connects to a 'U' shaped drawer to not interfere with sink or plumbing and provide easy access to small cleanser and bottle storage.
- The inside width of the usable storage space is 4" on the two sides and 6.5" on the front section. Drawer sides are standard 4" height.
- Bottom drawer is a full drawer with sides that angle down to 4" height.
- It is responsibility of designer to verify clearances needed to assure a proper fit.



### Modifications:

- o Minimum Depth: 15"
- o Minimum Width: 30"
- o Minimum Height: 20 1/2"

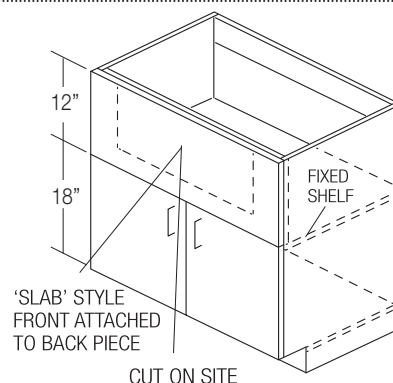
Dimension X notes:

- 30" width base = 17.5" inside clearance between top drawer sides
- 33" width base = 20.5" inside clearance between top drawer sides
- 36" width base = 23.5" inside clearance between top drawer sides
- 42" width base = 29.5" inside clearance between top drawer sides
- 48" width base = 35.5" inside clearance between top drawer sides

	LIST PRICE	COLUMN A
BS2BD36		
BS2BD42		
BS2BD48		

## BASE SINK APRON FRONT

- Designed to accommodate the 'Farm Style' sinks with apron fronts.
- 12" tall false front to be trimmed on site to fit exact sink dimension.
- Cabinet has full back panel.
- Height reduction on modification will be taken out of doors.



BSAF

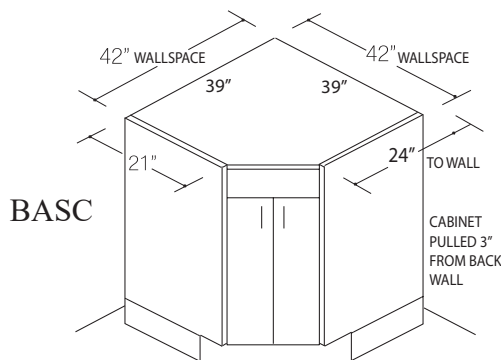
### Modifications:

- o Minimum Depth: 15"
- o Minimum Width: 24"
- o Minimum Height: 26 1/2"

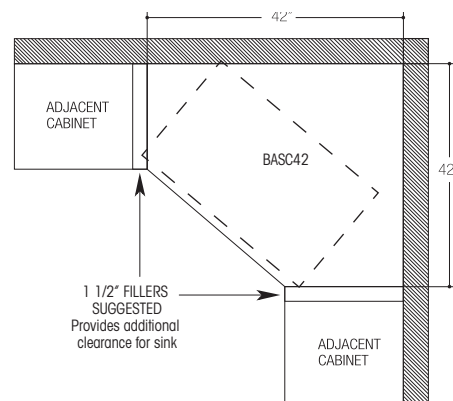
	LIST PRICE	COLUMN A
BSAF30		
BSAF33		
BSAF36		
BSAF42		

## BASE ANGLE SINK CORNER

- 45 degree angle face.
  - Two doors and one false drawer front.
  - Doors have 45 degree angle hinges.
  - Built with loose toe kick.
  - Designed to be pulled away from corner walls 3", box is 21" deep.
  - Door opening width – 24 3/8".
  - Recommended 1 1/2" minimum filler between adjacent cabinets to allow sink to be closer to counter edge.
- Job site cutting of cabinet top is required.



NOTE: Factory Installed Sink Liner available for this cabinet. See Accessories Page AC.40.



### Modifications:

- o Minimum Depth: N/A
- o Minimum Width: N/A
- o Minimum Height: 20 1/2"

	LIST PRICE	COLUMN A
BASC42		

# BASE CABINETS

UNLESS NOTED DIFFERENTLY, ALL BASE CABINETS ARE 34 1/2" HIGH X 24" DEEP

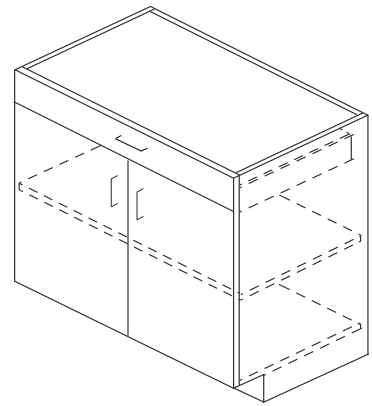
## BASE

- Full width single top drawer
- 9" - 21" wide base cabinets will have a single door, specify hinge left or right.
- 24" - 36" wide base cabinets will have double doors of equal width.
- 1 adjustable full depth shelf.

### Modifications:

- Minimum Depth: 12"
- Minimum Width: 9"
- Minimum Height: 20 1/2"

B



	LIST PRICE	COLUMN A
B9		
B12		
B13.5		
B15		
B16.5		
B18		
B19.5		
B21		

	LIST PRICE	COLUMN A
B24		
B27		
B30		
B33		
B36		

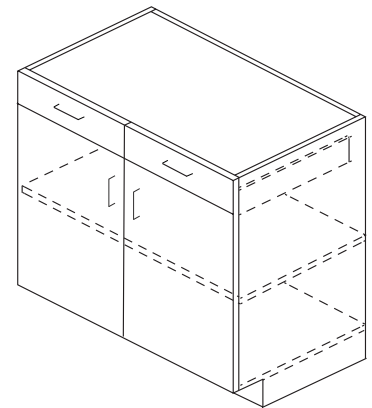
## BASE DOUBLE TOP DRAWER

- 2 equal width drawers.
- 2 equal width doors.
- 39" & 42" wide base cabinets will have a 1 1/4" thick vertical center partition with independently adjustable shelves on each side.

### Modifications:

- Minimum Depth: 12"
- Minimum Width: 24"
- Minimum Height: 20 1/2"

BDTD 30 - 36



	LIST PRICE	COLUMN A
BDTD30		
BDTD33		
BDTD36		

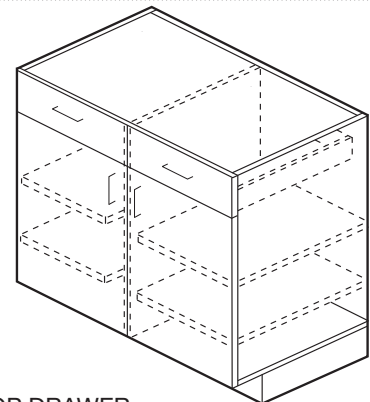
## BASE DOUBLE TOP DRAWER 39 & 42 WIDE

- 39" & 42" wide base cabinets will have a 1 1/4" thick vertical center partition with independently adjustable shelves on each side.
- Two equal width drawers

### Modifications:

- Minimum Depth: 12"
- Minimum Width: 36 1/4"
- Minimum Height: 20 1/2"

BDTD 39, 42



	LIST PRICE	COLUMN A
BDTD39		
BDTD42		

39" & 42" WIDE BASE DOUBLE TOP DRAWER CABINETS WITH VERTICAL CENTER PARTITION, ADJUSTABLE SHELVES EACH SIDE

# BASE CABINETS

UNLESS NOTED DIFFERENTLY, ALL BASE CABINETS ARE 34 1/2" HIGH X 24" DEEP

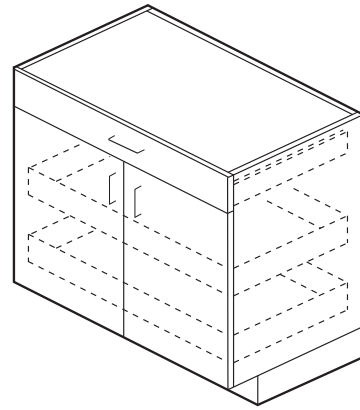
## BASE ROLL OUT DRAWERS

- One full width drawer.
- Includes 2 full width roll outs.
- Roll outs are full extension and soft close and will be same as selected drawer system.
- 12 - 21" wide base cabinets will have a single door, specify hinge left or right.
- 24 - 36" wide base cabinets will have double doors of equal width.

### Modifications:

- o Minimum Depth: 12"
- o Minimum Width: 9"
- o Minimum Height: 20 1/2"

BROD



	LIST PRICE	COLUMN A
BROD12		
BROD13.5		
BROD15		
BROD16.5		
BROD18		
BROD19.5		
BROD21		

	LIST PRICE	COLUMN A
BROD24		
BROD27		
BROD30		
BROD33		
BROD36		

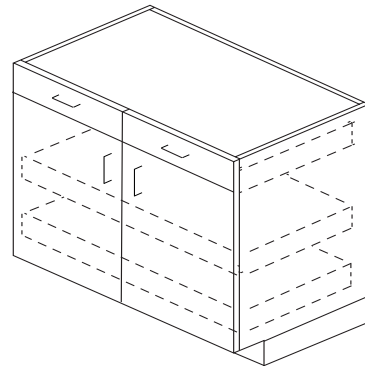
## BASE DOUBLE TOP DRAWER ROLL OUT DRAWER

- 2 equal width drawers.
- 2 equal width doors.
- Includes 2 full width & full extension soft close roll outs. Roll outs will be same as selected drawer system.
- 39" & 42" wide base cabinets will have a 1 1/4" thick vertical center partition with 4 independent roll outs on each side.

### Modifications:

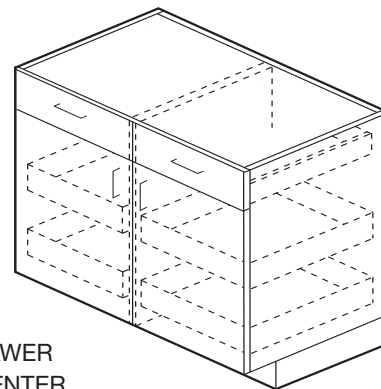
- o Minimum Depth: 12"
- o Minimum Width: 24"
- o Minimum Height: 20 1/2"

BDTROD 30" - 36"



	LIST PRICE	COLUMN A
BDTROD30		
BDTROD33		
BDTROD36		
BDTROD39		
BDTROD42		

BDTROD 39" - 42"



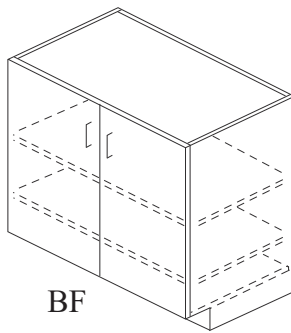
39" & 42" WIDE BASE DOUBLE TOP DRAWER CABINETS WILL INCLUDE A VERTICAL CENTER PARTITION; INDEPENDENT ROLL OUTS MOUNTED EACH SIDE.

# BASE CABINETS

UNLESS NOTED DIFFERENTLY, ALL BASE CABINETS ARE 34 1/2" HIGH X 24" DEEP

## BASE FULL HIGH

- 9" - 21" wide base cabinets will have a single door, specify hinge left or right.
- 24" - 36" wide base cabinets will have double doors of equal width.
- 39" & 42" wide base cabinets will have a 1 1/4" thick vertical center partition with independently adjustable shelves on each side.



BF

### Modifications:

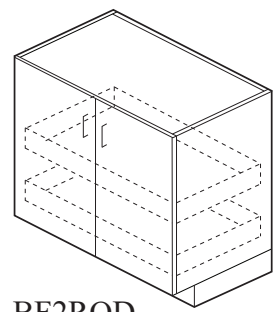
- o Minimum Depth: 4"
- o Minimum Width: 9"
- o Minimum Height: 20 1/2"

	LIST PRICE	COLUMN A
BF9		
BF12		
BF13.5		
BF15		
BF16.5		
BF18		
BF19.5		
BF21		

	LIST PRICE	COLUMN A
BF24		
BF27		
BF30		
BF33		
BF36		
BF39		
BF42		

## BASE FULL HIGH 2 ROLL OUT DRAWERS

- Includes 2 full width roll outs.
- Roll outs are full extension and soft close, and will be same construction as selected drawer system.
- 12 - 21" wide base cabinets will have a single door, specify hinge left or right.
- 24 - 36" wide base cabinets will have double doors of equal width.
- 39" & 42" wide base cabinets will have a 1 1/4" thick vertical center partition with roll outs mounted on each side.



BF2ROD

### Modifications:

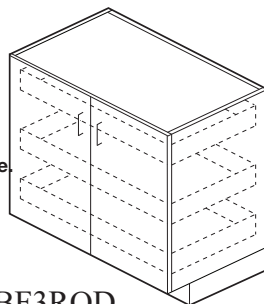
- o Minimum Depth: 12"
- o Minimum Width: 9"
- o Minimum Height: 20 1/2"

	LIST PRICE	COLUMN A
BF2ROD12		
BF2ROD13.5		
BF2ROD15		
BF2ROD16.5		
BF2ROD18		
BF2ROD19.5		
BF2ROD21		

	LIST PRICE	COLUMN A
BF2ROD24		
BF2ROD27		
BF2ROD30		
BF2ROD33		
BF2ROD36		
BF2ROD39*		
BF2ROD42*		

## BASE FULL HIGH 3 ROLL OUT DRAWERS

- Includes 3 full width roll outs.
- Top roll out is in same position as a standard top drawer would be.
- All other details same as directly above



BF3ROD

### Modifications:

- o Minimum Depth: 12"
- o Minimum Width: 9"
- o Minimum Height: 20 1/2"

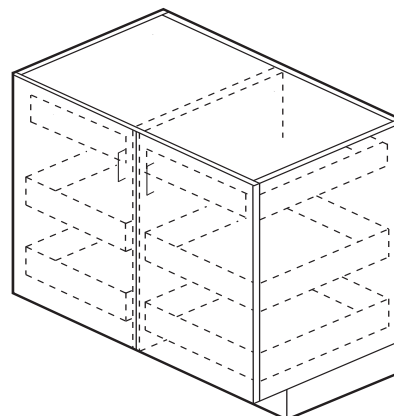
	LIST PRICE	COLUMN A
BF3ROD12		
BF3ROD13.5		
BF3ROD15		
BF3ROD16.5		
BF3ROD18		
BF3ROD19.5		
BF3ROD21		

	LIST PRICE	COLUMN A
BF3ROD24		
BF3ROD27		
BF3ROD30		
BF3ROD33		
BF3ROD36		
BF3ROD39*		
BF3ROD42*		

### \* NOTE:

### BASE FULL HIGH WITH ROLL OUTS 39" & 42" WIDE

The two cabinets above will have a 1 1/4" center partition in 39" and 42" widths. The BR2Rod will have 4 roll outs; and the BF3ROD will have 6 roll outs. (shown here)



39" - 42" widths

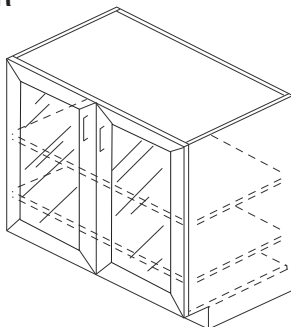


# BASE CABINETS

UNLESS NOTED DIFFERENTLY, ALL BASE CABINETS ARE 34 1/2" HIGH X 24" DEEP

## BASE FULL HIGH METAL DOOR

- Includes Satin Aluminum metal frame doors with Acid Etched glass
- 9" - 21" wide base cabinets will have a single door, specify hinge left or right.
- 24" - 36" wide base cabinets will have double doors of equal width.
- 39" & 42" wide base cabinets will have a 1 1/4" thick vertical center partition with independently adjustable shelves on each side.



### Modifications:

- Minimum Depth: 4"
- Minimum Width: 9"
- Minimum Height: 20 1/2"

	LIST PRICE	COLUMN
BFMD9		
BFMD12		
BFMD13.5		
BFMD15		
BFMD16.5		
BFMD18		
BFMD19.5		
BFMD21		

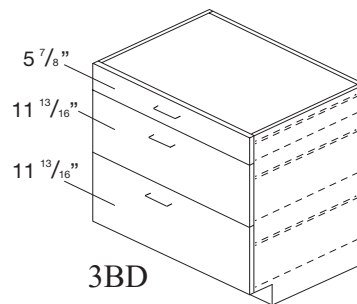
	LIST PRICE	COLUMN
BFMD24		
BFMD27		
BFMD30		
BFMD33		
BFMD36		
BFMD39		
BFMD42		

## THREE BASE DRAWER

### Modifications:

- Minimum Depth: 12"
- Minimum Width: 9"
- Minimum Height: 28 1/2"

	LIST PRICE	COLUMN A
3BD12		
3BD13.5		
3BD15		
3BD16.5		
3BD18		
3BD19.5		
3BD21		
3BD24		
3BD27		
3BD30		
3BD33		
3BD36		



3BD

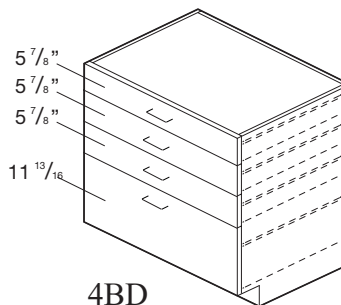
NOTE: See Modifications Page MO.101 for details on height reduction.

## FOUR BASE DRAWER

### Modifications:

- Minimum Depth: 12"
- Minimum Width: 9"
- Minimum Height: 28 1/2"

	LIST PRICE	COLUMN A
4BD12		
4BD13.5		
4BD15		
4BD16.5		
4BD18		
4BD19.5		
4BD21		
4BD24		
4BD27		
4BD30		
4BD33		
4BD36		



4BD

NOTE: See Modifications Page MO.101 for details on height reduction.

## BASE FULL HIGH FINISHED METAL DOOR

- Same cabinet as directly above, but includes finished interior and exterior.

	LIST PRICE	COLUMN
BFFMD9		
BFFMD12		
BFFMD13.5		
BFFMD15		
BFFMD16.5		
BFFMD18		
BFFMD19.5		
BFFMD21		

	LIST PRICE	COLUMN
BFFMD24		
BFFMD27		
BFFMD30		
BFFMD33		
BFFMD36		
BFFMD39		
BFFMD42		

## IMPORTANT NOTES ON DRAWER BASES !

In the case of frame and panel 5-piece constructed door styles, review the specific door style page for details on style configuration of the drawer faces.

Some door styles will feature all 5 piece constructed drawer faces, and some will have a combination of slab fronts and 5 piece fronts on deeper drawers only.

Take this into consideration in the design process.

With height decrease modifications, styled or 5-piece drawer fronts may become slab fronts due to minimum height requirements for constructing 5-piece drawer fronts. See individual door style page for specifics.



# BASE CABINETS

UNLESS NOTED DIFFERENTLY, ALL BASE CABINETS ARE 34 1/2" HIGH X 24" DEEP

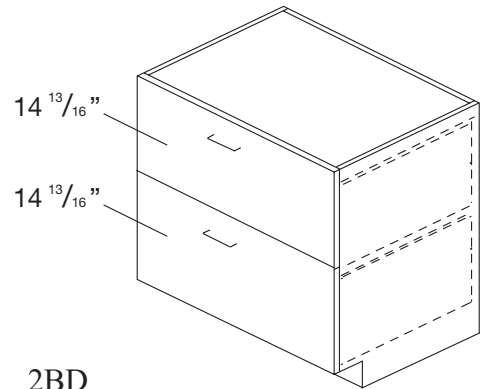
## TWO BASE DRAWER

	LIST PRICE	COLUMN A
2BD12		
2BD13.5		
2BD15		
2BD16.5		
2BD18		
2BD19.5		
2BD21		
2BD24		
2BD27		
2BD30		
2BD33		
2BD36		

- NOTE: Drawers do not align with 3BD or 4BD, but do align with 3BDH.

### Modifications:

- o Minimum Depth: 10"
- o Minimum Width: 12"
- o Minimum Height: 20 1/2"



2BD

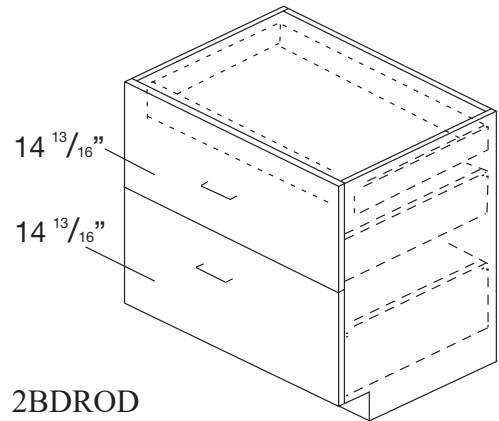
## TWO BASE DRAWER - ROLL OUT DRAWER

- Includes a single roll out behind the top drawer face. Open top drawer to access roll out.
- Provides the same design aesthetic as the 2BD, but with additional roll out storage for smaller items

	LIST PRICE	COLUMN A
2BD-ROD15		
2BD-ROD16.5		
2BD-ROD18		
2BD-ROD19.5		
2BD-ROD21		
2BD-ROD24		
2BD-ROD27		
2BD-ROD30		
2BD-ROD33		
2BD-ROD36		

### Modifications:

- o Minimum Depth: 12"
- o Minimum Width: 9"
- o Minimum Height: 20 1/2"



2BDROD

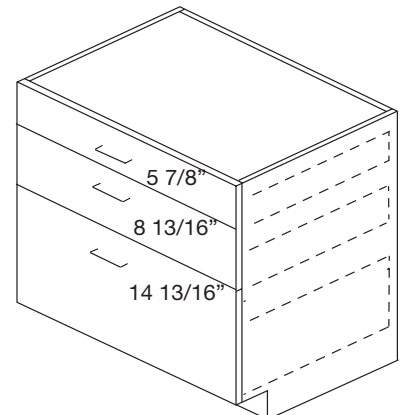
## THREE BASE DRAWER HYBRID

	LIST PRICE	COLUMN A
3BDH12		
3BDH13.5		
3BDH15		
3BDH16.5		
3BDH18		
3BDH19.5		
3BDH21		
3BDH24		
3BDH27		
3BDH30		
3BDH33		
3BDH36		

Three drawer configuration that **will align with the two drawer bases above**. The top drawer and 2nd drawer heights combined equal the top drawer height of the 2BD cabinet above.

### Modifications:

- o Minimum Depth: 12"
- o Minimum Width: 9"
- o Minimum Height: 20 1/2"

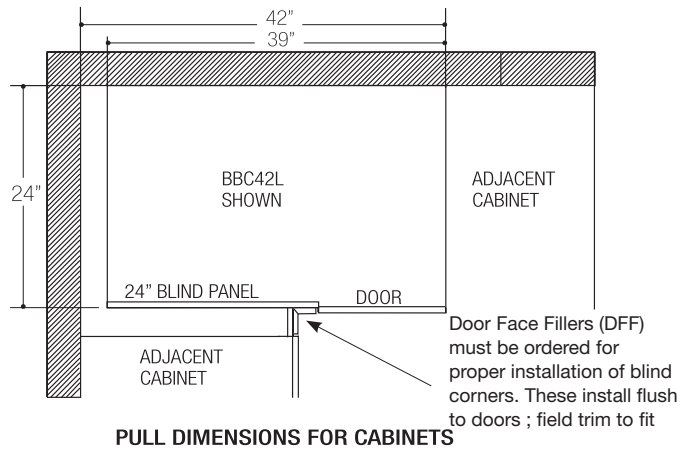
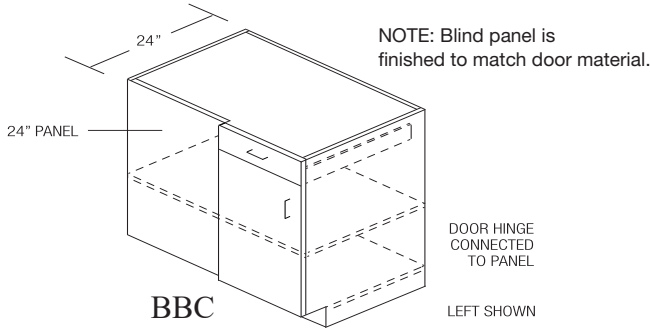


3BDH

# BASE CABINETS UNLESS NOTED DIFFERENTLY, ALL BASE CABINETS ARE 34 1/2" HIGH X 24" DEEP

## BASE BLIND CORNER & BASE BLIND CORNER FULL

- BBC = 1 door and 1 drawer, 1 adjustable shelf.
- BBCF = 1 full high door, no drawers, 2 adjustable shelves.
- Case is 3" less than model size stated.
- Specify hinge left or right; hinge left shown.



	LIST PRICE	COLUMN A
BBC39		
BBC42		
BBC45		
BBC48		
BBC51		

- Modifications:**
- o Minimum Depth: 12"
  - o Minimum Width: N/A
  - o Minimum Height: 20 1/2"

Cabinet	Dimension Range	Door Width	Actual Cabinet Width
39"	37 1/2" - 40 1/2"	12"	36"
42"	40 1/2" - 43 1/2"	15"	39"
45"	43 1/2" - 46 1/2"	18"	42"
48"	46 1/2" - 49 1/2"	21"	45"
51"	49 1/2" - 52 1/2"	24" Single door	48"

## BASE BLIND CORNER FULL HIGH DOOR BBCF

- Same construction, but full height door, no drawer
- 2 adjustable shelves
- All other details the same as BBC.

- Modifications:**
- o Minimum Depth: 12"
  - o Minimum Width: 36"
  - o Minimum Height: 20 1/2"

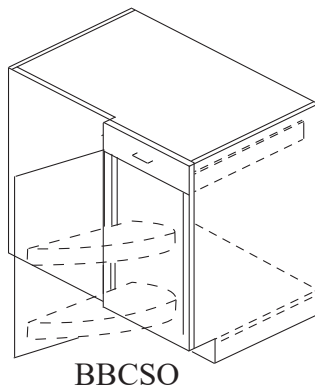
	LIST PRICE	COLUMN A
BBCF39		
BBCF42		
BBCF45		
BBCF48		
BBCF51		

## BASE BLIND CORNER SWING OUT

- 1 door and 1 drawer, specify hinge, blind side.
- Blind panel matches door material and color.
- Case is 3" less than model size stated.

	LIST PRICE	COLUMN A
BBCSO45		
BBCSO48		

- Modifications:**
- o Minimum Depth: N/A
  - o Minimum Width: N/A
  - o Minimum Height: 20 1/2"



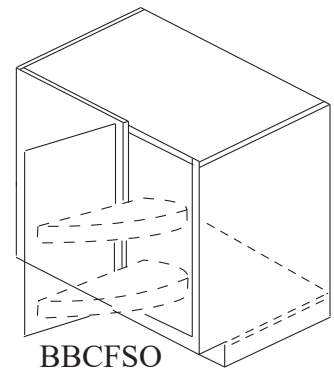
- NOTE: These include half-moon shaped white polymer swing outs. SO's operate independently.

## BASE BLIND CORNER FULL HIGH SWING OUT

- 1 full height door.
- Specify hinge, blind side.
- Blind panel matches door material and color.
- 1 adjustable shelf.
- Case is 3" less than model size stated.

	LIST PRICE	COLUMN A
BBCFSO45		
BBCFSO48		

- Modifications:**
- o Minimum Depth: N/A
  - o Minimum Width: N/A
  - o Minimum Height: 20 1/2"



Hinge L shown

# BASE CABINETS

UNLESS NOTED DIFFERENTLY, ALL BASE CABINETS ARE 34 1/2" HIGH X 24" DEEP

## NOTE: All Base Square & Angle Corner Cabinets:

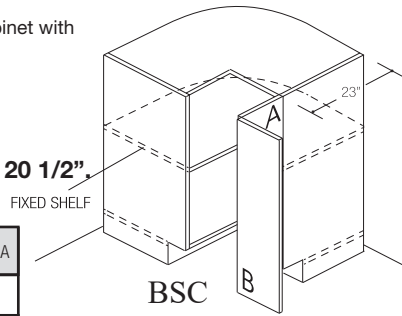
- Built at 23" box depth; Pull 1" from back walls to align with adjacent cabinets. This allows for out of square corner walls.
- Backs of corner cabinets are built with a 1/8" thick white vinyl on hardboard core. Backs are radiused.
- Soft close hinges are not available on Square Corner configurations. Angle Corner will include soft close.
- Opening width (point to point), for Angle and Square Corner configurations are: 33" = 11.5"; 36" = 16".
- Standard Susans use 28" diameter white polymer trays mounted to a chrome post; load capacity appr. 42# per shelf. Wood susans are 32" dia., veneer with solid wood rim, no center post; top tray mounted to fixed cabinet shelf. Load capacity appr. 48# per shelf.
- Door details on 33" base square corners will vary depending upon door style. Some will maintain 5 piece construction, others may be a slab style. See individual door style page for these details.

**NO MODIFICATIONS ALLOWED TO THE CABINETS ON THIS PAGE.**

### BASE SQUARE CORNER

- Fits in either a 33" or 36" corner space.
- 'A' door is attached to cabinet with 165° hinges.
- 'B' door is attached to 'A' door.
- Fixed shelf.

- **Height mod only to 20 1/2"**



BSC

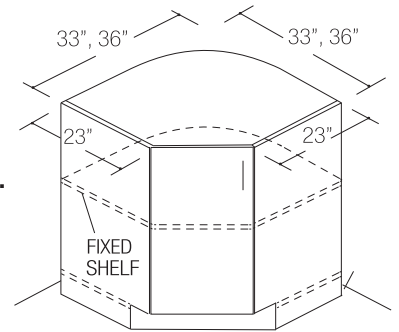
Hinge R shown

	LIST PRICE	COLUMN A
BSC33		
BSC36		

### BASE ANGLE CORNER

- Fits in either a 33" or 36" corner space.
- Fixed shelf.
- Specify hinge right or left.

- **Height mod only to 20 1/2"**



BAC

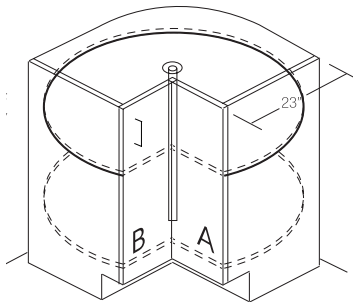
Hinge left shown

	LIST PRICE	COLUMN A
BAC33		
BAC36		

### BASE SQUARE CORNER LAZY SUSAN

- 2 white 28" dia. polymer trays
- Trays operate independently, and are mounted to a chrome post.
- Fits in either a 33" or 36" corner space.

- **No modifications.**



BSCL

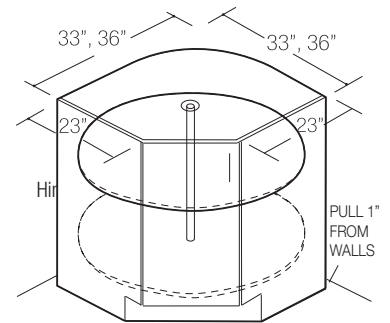
Hinge R shown

	LIST PRICE	COLUMN A
BSCL33		
BSCL36		

### BASE ANGLE CORNER LAZY SUSAN

- 2 full round 28" dia. white polymer trays
- Trays operate independently, and are mounted to a chrome post.
- Fits in either a 33" or 36" corner space.

- **No modifications.**



BACL

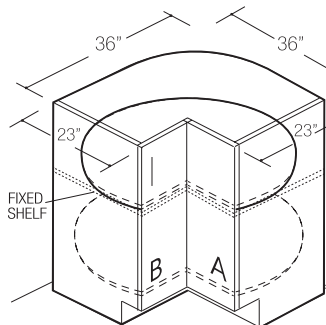
Hinge left shown

	LIST PRICE	COLUMN A
BACL33		
BACL36		

### BASE SQUARE CORNER SUPER SUSAN 33", 36" WIDTHS

- 2 all wood trays.
- Trays operate independently.
- Top tray mounted to fixed shelf, no center post.
- Fits in either a 33" or 36" corner space.

- **No modifications.**



BSCSS

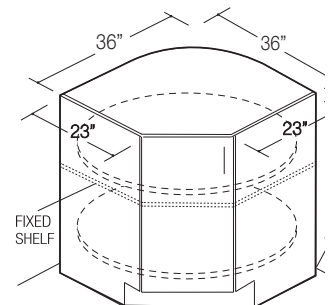
Hinge R shown

	LIST PRICE	COLUMN A
BSCSS33		
BSCSS36		

### BASE ANGLE CORNER SUPER SUSAN 36"

- 2 full round all wood trays.
- Trays operate independently.
- Top tray mounted to fixed shelf, no center post.
- Fits in a 36" corner space.

- **No modifications.**



BACSS

Hinge left shown

	LIST PRICE	COLUMN A
BACSS36		

**NO MODIFICATIONS ALLOWED TO THE CABINETS ON THIS PAGE.**

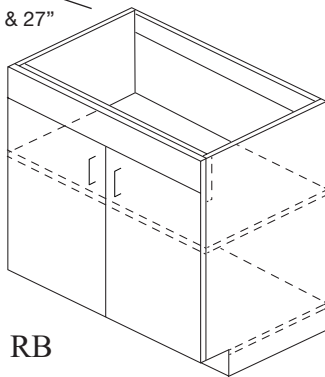
# BASE CABINETS

UNLESS NOTED DIFFERENTLY,  
ALL BASE CABINETS ARE  
34 1/2" HIGH X 24" DEEP

## RANGE BASE 24" & 27" DEEP

- 1 false drawer front.
- 1 adjustable shelf.

24" & 27"



### Modifications:

- Minimum Depth: 4"
- Minimum Width: 18"
- Minimum Height: 20 1/2"

24" DEEP	LIST PRICE	COLUMN A
RB24		
RB30		
RB36		
RB39		

RB

## RANGE BASE ROLLOUT DRAWERS

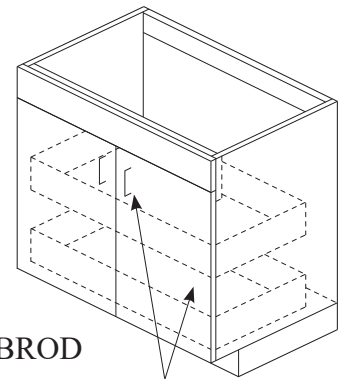
- 1 false drawer front.
- Includes 2 full width roll outs, same construction as other drawers
- Roll outs are full extension and soft close.

### Modifications:

- Minimum Depth: 12"
- Minimum Width: 18"
- Minimum Height: 20 1/2"

	LIST PRICE	COLUMN A
RBROD24		
RBROD30		
RBROD36		

RBROD



- Drawer boxes will be 18" deep to allow for electrical or gas connections.

- Same cabinet, but 27" depth for additional clearance.
- Might require finished ends depending upon design.

RB-27 DEEP

27" DEEP	LIST PRICE	COLUMN A
RB24-27		
RB30-27		
RB36-27		
RB39-27		

## BASE PRO COOKTOP

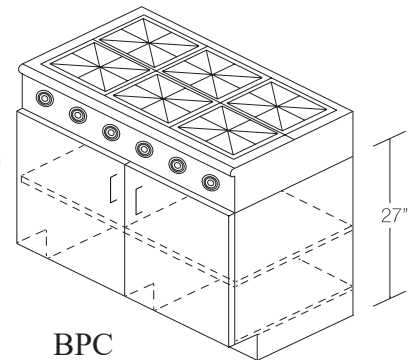
- 1 adjustable shelf.
- Full back in cabinet.
- Height is 27", Depth is 24".
- Verify appliance height.
- 48" wide will have full depth 1 1/4" thick center partition.

### Modifications:

- Minimum Depth: 21"
- Minimum Width: 18"
- Minimum Height: 20 1/2"

	LIST PRICE	COLUMN A
BPC30		
BPC36		
BPC48		

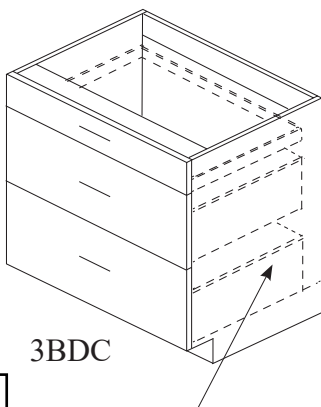
BPC



NOTE: Not all pro style cooktops are the same height, so it is best to know which product is being used in order to get the correct cabinet height. The flat surface area of the cooktop should be 1/4" -1" above the countertop surface; refer to appliance specifications.

## THREE BASE DRAWER COOKTOP

- Top drawer will be 2" tall and will have shallow sides to allow clearance for cook top (4 5/8" total clearance from top surface of 1 1/2" counter top to top of drawer edge).
- Top drawer front = 5 7/8" face height.
- Second and third = 11 13/16" face height.



3BDC

### Modifications:

- Minimum Depth: 12"
- Minimum Width: 18"
- Minimum Height: 20 1/2"

- All drawer boxes will be 18" deep to allow for electrical or gas connections.
- With Satino drawer option, the top drawer will remain a 2" tall wood drawer.

	LIST PRICE	COLUMN A
3BDC30		
3BDC36		

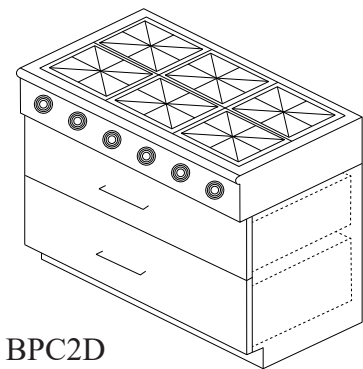
## BASE PRO COOKTOP TWO DRAWER

- Cabinet designed for use with pro style gas range tops.
- Not all range tops are same height. Range tops under 9" height will require a platform or support under it to bring it up to the proper installed height.
- Cabinet built with full top construction. Standard 24" cabinet depth.
- Additional material may be needed to raise range top to appropriate height. Consider filler stock or applied panel material.
- Refer to door style page to confirm drawer face styling.
- 10 3/8" Top Drawer Front on 27" Cabinet.
- 11 13/16" Bottom Drawer Front on 27" Cabinet.

### Modifications:

- Minimum Depth: 24"
- Minimum Width: 24"
- Minimum Height: 21"

BPC2D

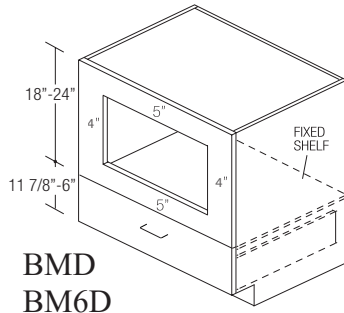


	LIST PRICE	COLUMN A
BPC2D30		
BPC2D36		

# BASE CABINETS UNLESS NOTED DIFFERENTLY, ALL BASE CABINETS ARE 34 1/2" HIGH X 24" DEEP

## BASE MICROWAVE DRAWER

- 1 full width drawer, 6" height or 12".
- Designed for built in type microwaves.
- Fixed shelf above drawer.
- Outside edges of panel will match door edge profile.
- Universal oven panel includes opening as shown. Modify opening on job site to fit appliance.
- Loose shelf and support cleats included for field install of appliance.



BMD  
BM6D

### Modifications:

- o Minimum Depth: 12"
- o Minimum Width: 18"
- o Minimum Height: N/A

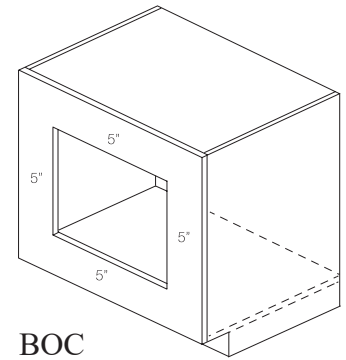
NOTE: BM6D has a 6" drawer front height. Drawer face will slab or styled depending on door style.

	LIST PRICE	COLUMN A
BMD24		
BMD27		
BMD30		

	LIST PRICE	COLUMN A
BM6D24		
BM6D27		
BM6D30		

## BASE OVEN CABINET

- Universal oven panel with opening as shown.
- Outside edges of panel will match door edge profile.
- Loose shelf and cleats included for field install of appliance.
- Modify opening in panel on job site to fit appliance.
- Maximum cutout:
  - o 30" - 28" x 28 1/4"
  - o 33" - 31" x 28 1/4"
  - o 36" - 34" x 28 1/4"



BOC

### Modifications:

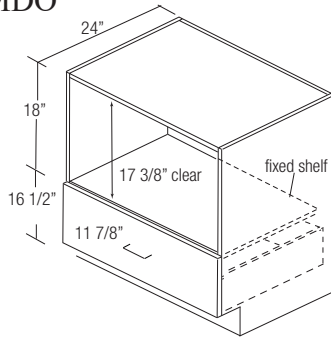
- o Minimum Depth: 12"
- o Minimum Width: 24"
- o Minimum Height: 20 1/2"

	LIST PRICE	COLUMN B
BOC30		
BOC33		
BOC36		

## BASE MICROWAVE DRAWER OPEN

- 1 full width deep drawer; aligns with bottom drawer of a 3BD or 4BD cabinet.
- Designed for countertop microwaves. Inside opening width is 1 1/2" less than overall width.
- Interior and exterior surfaces and box edgebanding are finished to match door material and color; box is 3/4" thick panel construction.

BMDO



	LIST PRICE	COLUMN B
BMDO24		
BMDO27		
BMDO30		

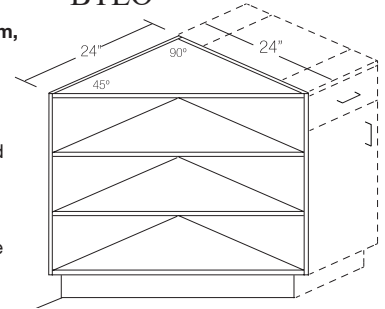
### Modifications:

- o Minimum Depth: 12"
- o Minimum Width: 18"
- o Minimum Height: N/A

## BASE TRIANGLE END OPEN

- Cabinets constructed with 3/4" thick sides, top, bottom, and fixed shelves.
- All interior and exterior surfaces are finished to match.
- Case edge band is real wood veneer 'tape' on wood door orders.
- The A grade side of wood veneers will be placed on the interior side of the cabinet unless a finished end is specified, in which case the A side will be used on the exterior side. There is no additional charge for finished ends on this open cabinet.

BTEO



### Modifications:

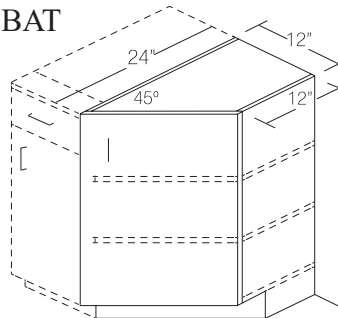
- o Minimum Depth: N/A
- o Minimum Width: N/A
- o Minimum Height: 20 1/2"

	LIST PRICE	COLUMN B
BTEO24		

## BASE ANGLE TRANSITION

- 45 degree face with full height door.
- Door is 16 1/2" wide.
- For transition from 24" deep to 12" deep or use at end of run.
- Two adjustable shelves.
- Hinges on short side only.
- Must specify finished end.

BAT



Hinge right shown

### Modifications:

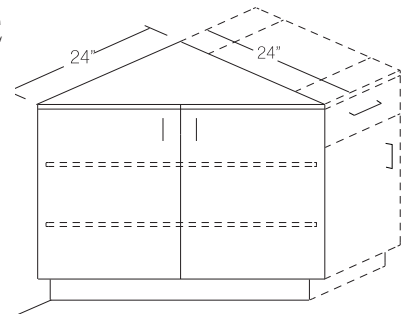
- o Minimum Depth: 16"
- o Minimum Width: N/A
- o Minimum Height: 20 1/2"

	LIST PRICE	COLUMN A
BAT12		

## BASE TRIANGLE END

- 45 degree face with 2 full height doors.
- 2 adjustable shelves.
- Use at end of run or to turn 90 degree outside corner.
- Finished ends are not available.
- Soft close hinges not available.
- No width or height modifications.

BTE



### Modifications:

- o Minimum Depth: N/A
- o Minimum Width: N/A
- o Minimum Height: 20 1/2"

	LIST PRICE	COLUMN A
BTE24		

NOTE: Depth decrease mod limited to 16" on long side. Short side will be 12" shorter.



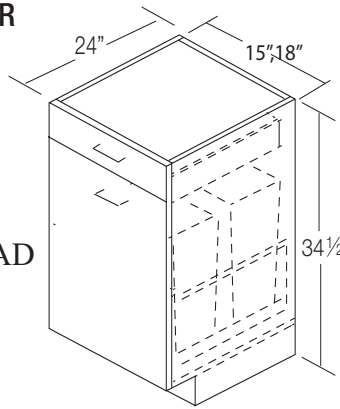
# BASE CABINETS UNLESS NOTED DIFFERENTLY, ALL BASE CABINETS ARE 34 1/2" HIGH X 24" DEEP

## BASE RECYCLE ATTACHED DOOR 15", 18" WIDE

- Two removable heavy duty plastic bins.
- Pull out on heavy duty bottom mount hardware that also features soft close. Hardware attached to door.
- Working top drawer.
- 2-27QT. containers in 15" wide; 2-35QT. in 18" wide

• **No Modifications.**

BRCAD



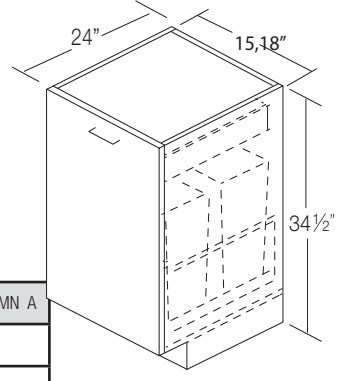
18" WIDE	LIST PRICE	COLUMN A
BRCAD15		
BRCAD18		

## BASE FULL RECYCLE ATTACHED DOOR 15", 18" WIDE

- Full High door
- Concealed Roll Out above recycle. Roll out will be same drawer system as ordered for the other base cabinets.

• **No Modifications.**

BFRCAD



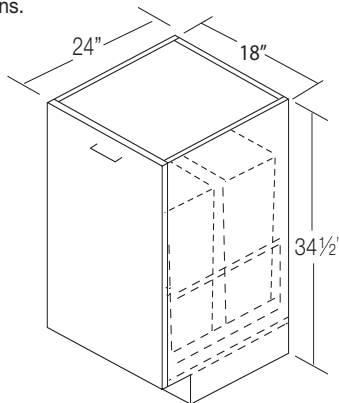
18" WIDE	LIST PRICE	COLUMN A
BFRCAD15		
BFRCAD18		

## BASE FULL RECYCLE ATTACHED DOOR 18-50

- Two removable heavy duty 50QT. plastic bins.
- Pull out on heavy duty bottom mount hardware that also features soft close. Hardware attached to door.
- No roll out above bins due to bin height.

• **No Modifications.**

18" WIDE	LIST PRICE	COLUMN A
BFCAD18-50		

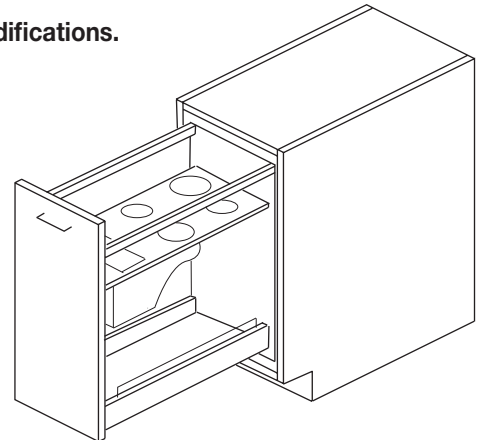


## BASE UTENSIL ORGANIZER

BUO

- Base Full High 15".
- Door attached to knife block utensil organizer pull out.
- Maple construction with chrome accent rails.
- Unit is mounted to bottom mount full extension soft-close guides.
- Includes 4 stainless steel bins and two knife holders. Knife holders are densely compacted flex rods allowing for drop-in knife storage.
- Top section is adjustable in height.

• **No Modifications.**



	LIST PRICE	COLUMN A
BUO15		

## BASE PULL OUT SPICE

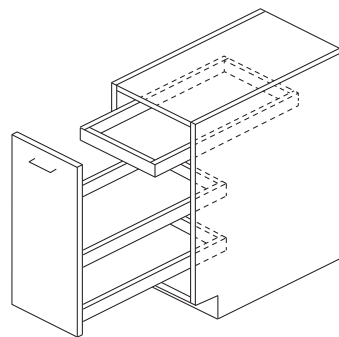
BPOS

- Bottom and middle 4" high roll outs are attached to door; top one operates all 3 will be attached to door).
- Open access on both sides.
- Full extension guides with soft close feature.

• **No Modifications.**

• **NOTE:**

- 6" widths - See specific door style page for face details.
- Storage height clearance of top drawer is 5 1/4"; the other two will accommodate most tall spice and cooking oils.
- BPOS6 - This cabinet will always be constructed with a wood drawer box system.



**NOTE:** If Satino drawer option is selected, the pull outs will be Satino construction and the up charge applies.

	LIST PRICE	COLUMN A
BPOS6		
BPOS9		

	LIST PRICE	COLUMN A
BPOS12		
BPOS15		

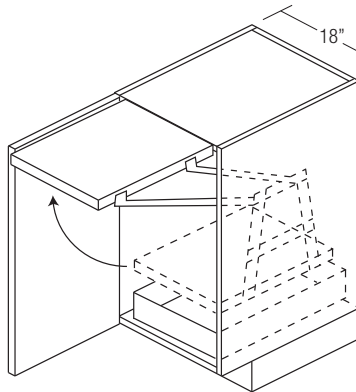


# BASE CABINETS

UNLESS NOTED DIFFERENTLY, ALL BASE CABINETS ARE 34 1/2" HIGH X 24" DEEP

## BASE POP UP MIXER

- Factory installed heavy duty lift-up mechanism that locks in place and includes soft close function. Shelf is 3/4" thick wood bread board.
- Includes 1 full width roll out.
- Roll out is full extension and soft close.
- **No Modifications.**

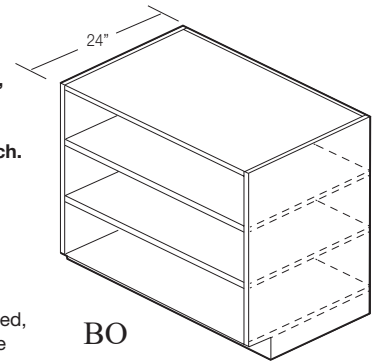


BPUM

	LIST PRICE	COLUMN A
BPUM15		
BPUM18		
BPUM21		

## BASE OPEN

- Cabinets constructed with 3/4" thick sides, top, bottom, and shelves.
- All interior and exterior surfaces are finished to match.
- Case edge band is real wood veneer 'tape' on wood door orders.
- The A grade side of wood veneers will be placed on the interior side of the cabinet unless a finished end is specified, in which case the A side will be used on the exterior side. There is no additional charge for finished ends on this open cabinet.



BO

NOTE: Use open finished interior cabinets to achieve a glass door cabinet with a matching finished interior. See modifications for glass doors for additional details and pricing.

- Sides and back will have vertical pattern/grain direction in all door styles except Waves, in which case the pattern will be horizontal.

### Modifications:

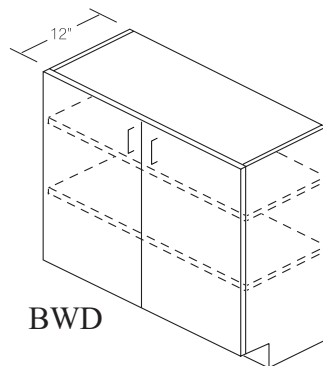
- o Minimum Depth: 4"
- o Minimum Width: 9"
- o Minimum Height: 20 1/2"

	LIST PRICE	COLUMN B
B009		
B012		
B013.5		
B015		
B016.5		
B018		
B019.5		

	LIST PRICE	COLUMN B
B021		
B024		
B027		
B030		
B033		
B036		

## BASE WALL DEPTH

- 9" - 21" wide base cabinets will have a single door, specify hinge left or right.
- 24" - 42" wide base cabinets will have 2 doors of equal width.
- 39" & 42" wide base cabinets will have full depth 1 1/4" thick center partition.



BWD

### Modifications:

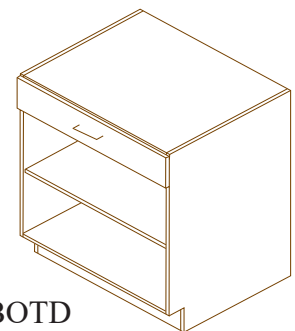
- o Minimum Depth: 4"
- o Minimum Width: 9"
- o Minimum Height: 20 1/2"

	LIST PRICE	COLUMN A
BWD9		
BWD12		
BWD13.5		
BWD15		
BWD16.5		
BWD18		
BWD19.5		
BWD21		

	LIST PRICE	COLUMN A
BWD24		
BWD27		
BWD30		
BWD33		
BWD36		
BWD39		
BWD42		

## BASE OPEN TOP DRAWER

- One full width drawer, no doors.
- Cabinet constructed with 3/4" thick finished material that matches door material and finish.
- One 3/4" adjustable shelf in matching material.
- Box exterior is finished as well.



BOTD

Finished interior and exterior included

### Modifications:

- o Minimum Depth: 12"
- o Minimum Width: 9"
- o Minimum Height: 20 1/2"

	LIST PRICE	COLUMN B
BOTD18		
BOTD21		
BOTD24		
BOTD27		
BOTD30		
BOTD33		
BOTD36		

NOTE: Sides and back will have vertical pattern/grain direction in all door styles except Waves, in which case the pattern will be horizontal.



# BASE CABINETS

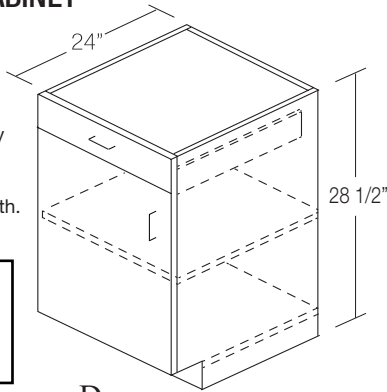
UNLESS NOTED DIFFERENTLY, ALL BASE CABINETS ARE 34 1/2" HIGH X 24" DEEP

## DESK HEIGHT BASE CABINET 28 1/2" HIGH

- Full width drawer.
- 12" - 21" wide base cabinets will have a single door, specify hinge left or right.
- 24" - 36" wide base cabinets will have 2 doors of equal width.
- 1 adjustable shelf.

**Modifications:**

- o Minimum Depth: 12"
- o Minimum Width: 9"
- o Minimum Height: N/A



D

Hinge L shown

28 1/2" H	LIST PRICE	COLUMN A
D12		
D15		
D18		
D21		
D24		
D27		
D30		
D33		
D36		

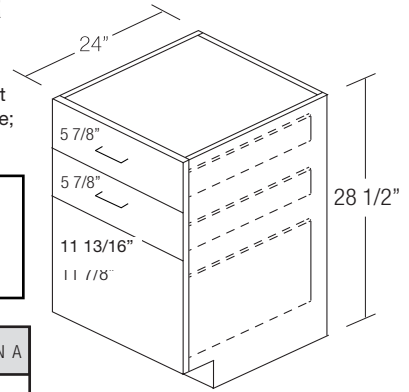
## THREE DESK DRAWER 28 1/2" HIGH

- Desk height drawer base. Not intended for working file storage; see 2FD for actual file cabinet.

**Modifications:**

- o Minimum Depth: 10"
- o Minimum Width: 12"
- o Minimum Height: 12"

28 1/2" HIGH	LIST PRICE	COLUMN A
3DD12		
3DD15		
3DD18		
3DD21		
3DD24		

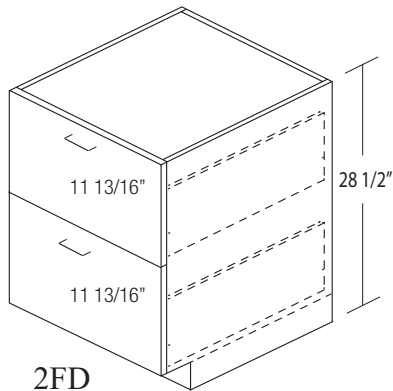


3DD

## TWO FILE DRAWER 28 1/2" HIGH

- Each drawer has a heavy duty (150 lb. rated) full extension side mount drawer guide.
- Includes pendaflex hanging rails (shipped loose).
- NOTE: File drawer boxes are only constructed with 5/8" maple plywood with concealed doweled joints. Satino option not available.

• No Modifications.



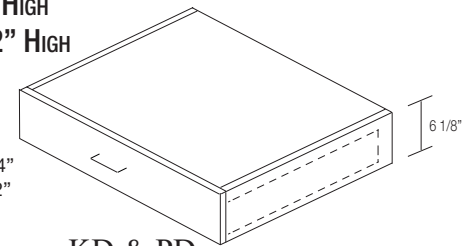
2FD

	LIST PRICE	COLUMN A
2FD18		

## KNEE DRAWER - 6 1/8" HIGH PENCIL DRAWER - 4 1/2" HIGH

- Kitchen desk drawer cabinet.
- Drawer front height - 5 7/8"; 4 1/4"
- Cabinet box height - 6 1/8", 4 1/2"
- Standard cabinet depth - 24".
- Solid top.

NOTE: Does not allow adequate knee clearance if installed at 30" counter height, use Pencil Drawer.



KD & PD

Also available in 4 1/2" height as PD (Pencil Drawer) for use at desk height. Same widths and pricing as listed above. Order as PDxx. Drawer face will always be slab style due to height.

**Modifications:**

- o Minimum Depth: 12"
- o Minimum Width: 12"
- o Minimum Height: N/A

6" HIGH	LIST PRICE	COLUMN A
KD24		
KD27		
KD30		
KD33		
KD36		

**Modifications:**

- o Minimum Depth: 12"
- o Minimum Width: 12"
- o Minimum Height: N/A

4 1/2" HIGH	LIST PRICE	COLUMN A
PD24		
PD27		
PD30		
PD33		
PD36		

# BASE CABINETS

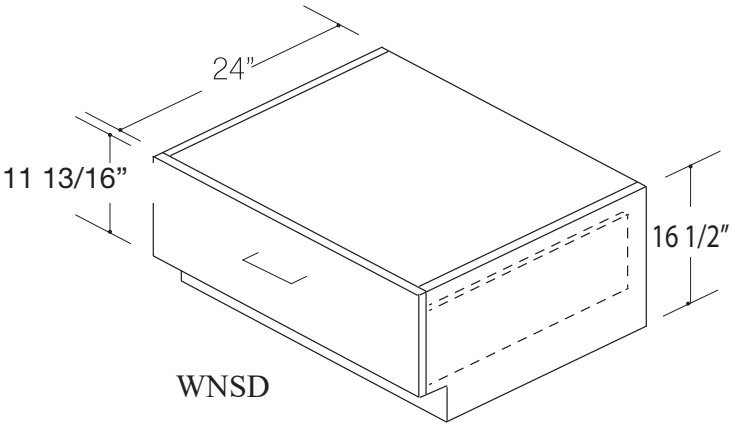
UNLESS NOTED DIFFERENTLY, ALL BASE CABINETS ARE 34 1/2" HIGH X 24" DEEP

## WINDOW SEAT DRAWER

16 1/2" HIGH

- Full width drawer.
- 8" tall drawer sides on wood drawer; galley rails with Satino drawer
- Full top construction like base cabinets.

<b>Modifications:</b>
o Minimum Depth: 12"
o Minimum Width: 12"
o Minimum Height: 10 1/2"



	LIST PRICE	COLUMN A
WNSD18		
WNSD21		
WNSD24		
WNSD27		
WNSD30		
WNSD33		
WNSD36		

# BASE CABINETS DOCKING DRAWER

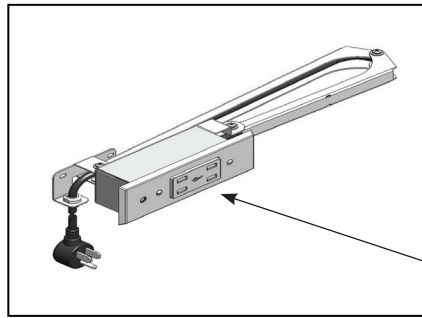
## DOCKING DRAWER INSERT BASE CABINETS

These base cabinets include a factory installed powered docking station called 'Docking Drawer'.

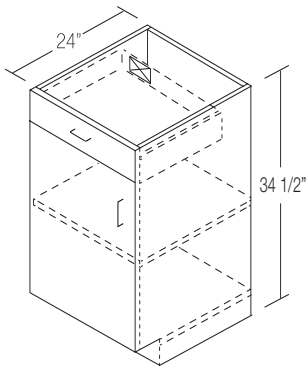
Docking Drawer is a UL approved purpose-built unit providing a safe and clutter free solution for charging personal technology devices.

The Docking Drawer is factory installed into the top drawer of the cabinets shown below. All that is required on the job site is providing a 110v outlet behind the cabinet for the plug in.

- Unit is ETL listed to UL962a & CSA-C22.2 standards
- Built in circuit breaker
- Four USB ports.
- 6 foot long cord with NEMA 5-15 plug
- Top drawer box including the Docking Drawer unit will be 18" deep instead of standard 21". This provides the clearance needed for the cord management pivot arm.
- Docking Drawer installed in left corner of drawer. Drawer can be removed from cabinet by first removing face cover plate.
- Cover plate is black
- **No Modifications:**



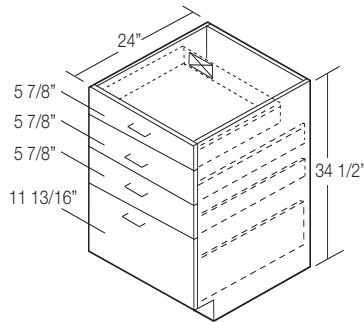
6 foot long cord  
 4 -USB ports  
 Pivot arm keeps power chord from binding as drawer is opened and closed; tested to 500,000 cycles.  
 Only the black face plate will show inside the drawer, all other parts are concealed behind the drawer.



**BDDI**

- Standard 24" deep Base
- Top drawer will be 18" deep
- Docking Drawer factory installed
- Specify hinge L,R on 18", 21"
- **NO MODIFICATIONS**

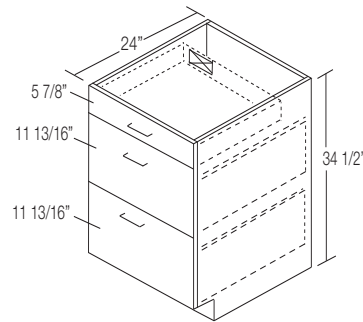
	LIST PRICE	COLUMN A
BDDI18		
BDDI21		
BDDI24		



**4BDDDI**

- Standard 24" deep 4BD
- Top drawer will be 18" deep
- Docking Drawer factory installed
- **NO MODIFICATIONS**

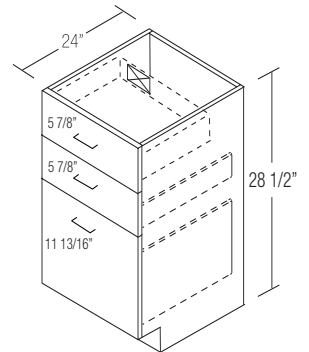
	LIST PRICE	COLUMN A
4BDDDI18		
4BDDDI21		
4BDDDI24		



**3BDDDI**

- Standard 24" deep 3BD
- Top drawer will be 18" deep
- Docking Drawer factory installed
- **NO MODIFICATIONS**

	LIST PRICE	COLUMN A
3BDDDI18		
3BDDDI21		
3BDDDI24		



**3DDDDI**

- Standard 24" 3 Desk Drawer
- Top drawer will be 18" deep
- Docking Drawer factory installed
- **NO MODIFICATIONS**

	LIST PRICE	COLUMN A
3DDDDI18		
3DDDDI21		
3DDDDI24		