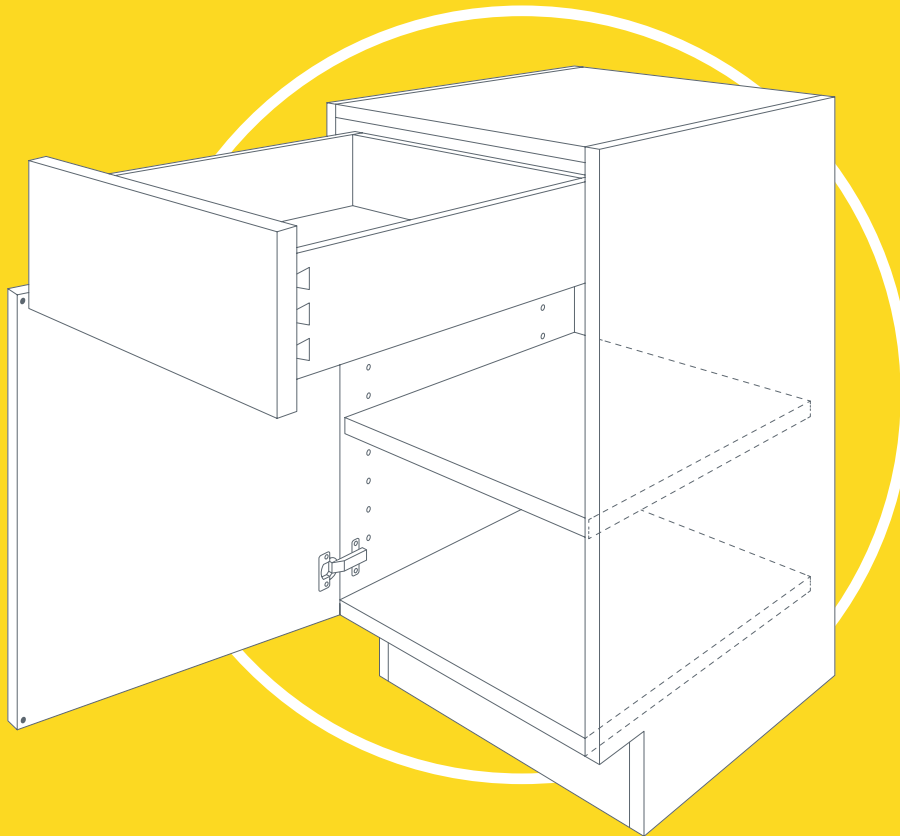




# Accessory Configurations



## CABINET NOMENCLATURE

# WFD301824

CABINET TYPE      WIDTH      HEIGHT      DEPTH

**ex. W3036** = Wall Cabinet: 30-in wide x 36-in tall  
*Width x Height x Depth (depth is standard 12-in, so is not noted)*

**ex. 4BD18** = Four Base Drawer Cabinet: 18-in wide  
*Height x Depth not noted (these are standard 24-in deep x 34 1/2-in high)*

...

**BASE CABINETS:** Standard 34 1/2-in tall (before countertop) and 24-in deep (not including door/drawer faces).

**WALL CABINETS:** Standard 12-in depth. Latitude offers an additional standard 15-in depth.

**TALL CABINETS:** Available in 84, 90, 93, and 96-in heights. 24-in deep with select 12-in deep options.

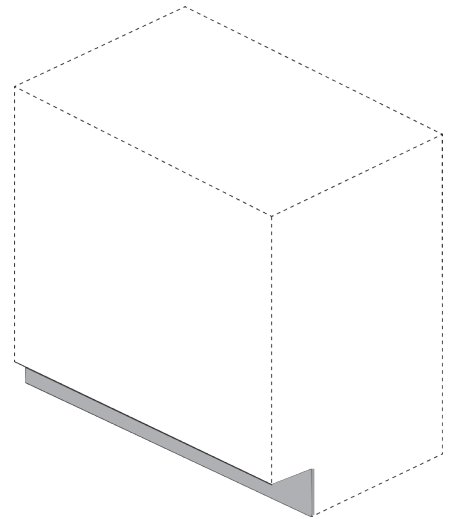
**VANITY CABINETS:** Available in 32-in and 34 1/2-in heights (*not including countertop*). Both are 21-in deep.

Cabinet sizing uses a 3-in increment system for width, height, and depth. Latitude Cabinets offers select base and wall cabinets in 1 1/2-in width increments to allow for design flexibility. Height, width, and depth reductions are also available on most cabinets.

# TOE SKINS

## Toe Skin | TK8, TTK8, TKM8, TTKM8

- 1/4" thick finished material used for field installation to cover toe kick area of cabinets.
- Available in woods and laminates to match cabinetry.
- 8 foot lengths only.
- Grain runs long dimension.
- TK8 for standard height = 4 1/2" height.
  - TTK8 for 8" heights.
  - TKM8 is brushed steel finish thermofoil 4 1/2" height.
  - TTKM8 is brushed steel finish thermofoil 8" height.
- For contemporary design, specify the brushed steel finish TKM8. This product is a foil laminated to MDF core.



SKU
TK8
TTK8
TKM8
TTKM8

## Toe Kick Ladder Pack | TKLP, TTKLP

TKLP = 4 1/2" Tall, TTKLP = 8" Tall

- A package of 96" long strips of 5/8" x 4 1/2", or 5/8" x 8" tall strips of plywood material used for building a cabinet toe kick section on site.
- A pack includes two 96" lengths and ten 19" lengths.
- Order one pack for every 8 lineal feet of base cabinets.
- Requires finished toe skin material to cover face.
- Build in sections on job site to follow footprint of the cabinet layout.
- Level with shims and fasten to studs prior to setting base cabinets.
- Great for islands; build section to create recessed toe kick on sides or backs as needed.

SKU
TKLP
TTKLP



Build a 'ladder' section, shim, level, and fasten into wall studs. Easy and lightweight. Set base cabinets on the ladder, fasten together, then fasten section of cabinets to wall studs.

# FACTORY FINISHED ENDS

In Latitude, exterior sides of cabinet boxes match the interior surface - White, Gray, or Maple Melamine ; and plywood for the plywood box construction. For exposed cabinet sides to match the door material, specify a factory finished end, a field installed applied end panel, or field installed plant on door panel. (see following pages for these choices):

- Factory finished ends are specified right, left, or both for cabinets having exposed sides.
- They are built as part of the cabinet; does not change the cabinet dimensions
- The interior side of a Factory Finished End will match the interior box material.
- The top and bottom edges of factory finished end will have:
  - o Wall cabinets: the same banding as the leading edge of that factory finished end.
  - o Base, Vanity, and Tall cabinets: no banding.
  - o See Wall Cabinet Construction details, page 60.

## DETAILS:

### • Wood door style cabinets:

- o Exterior side of the finished end will be real wood veneer finished to match.
- o Leading edge of the finished end panel will be finished with real wood veneer tape finished to match.

### • Paint finish door style cabinets:

- o Exterior side of the finished end panel will be maple veneer painted to match.
- o Leading edge of the finished end panel will be maple veneer tape painted to match.

### • Laminate door style cabinets:

- o Exterior side of the finished end panel will be same laminate material and color as the door.
- o Leading edge of the finished end panel will be same color PVC banding as used on the door style.

### • Thermofoil door style cabinets:

- o Exterior of the finished end panel will be a complimentary white high pressure laminate.
- o Leading edge of the finished end panel will be white pvc banding.

## FACTORY FINISHED END CONSTRUCTION:

- The core board material used for factory finished end panels is the same material as used for the rest of the cabinet - particle board core for White, Gray, and Maple Melamine, and Plywood core for Plywood interiors.

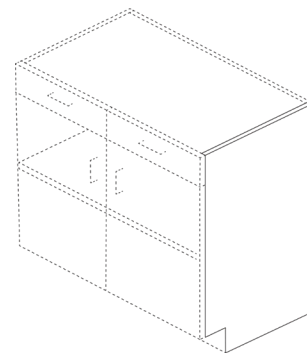
### Exceptions:

- o Moda, Casa, Parma and Monza door style materials will always have a particle board core on the finished end components; even with Plywood box construction.
- o Contempo white foil door, Echo gloss finish door, and Seta matte finish door, will have a MDF core on the finished end components, even with Plywood box construction.
- o All other non finished end components on plywood box construction will be plywood.

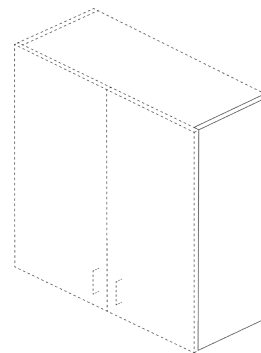
SKU	CABINET TYPE
FEB	Base
FEV	Vanity
FEF	Desk
FEW	Wall
FET12	Tall
FET24	Tall

## ADDING A FINISHED END IN 2020:

1. Right click on Cabinet, go into Attributes.
2. In "Add-on" tab, select Finished End.
3. Select Finshed End right, left, or both.
4. Visit the Latitude Portal for video tutorial.



- Banding on leading edge only for Base, Vanity, and Tall cabinets. Top and bottom edges are not banded on base, vanity, or tall cabinets.



- Banding on top and bottom edges of wall finished ends will be same material and color as the banding on the leading edge.

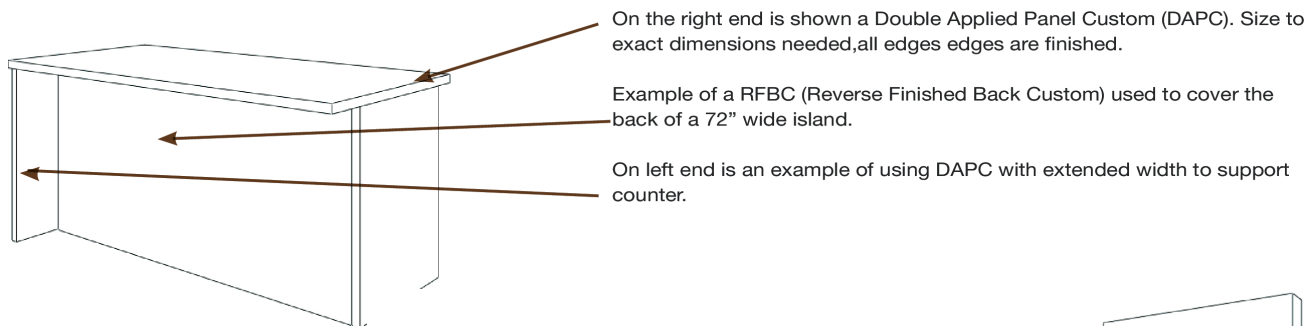
- **Applied Panels** are 3/4" or 1 1/2" thick job-site installed panels that come in standard depths and heights as well as custom order to size dimensions as Applied Panel Custom.
- **End Panels** - 3/4" panels with a 1 1/2" or 3" filler attached to the face edge.
- **Reverse Grain Finished Back Custom** - 3/4" thick wood veneer panels in Alder, Cherry, Maple, and Red Oak only. Wood grain direction runs the height direction of the panel and can be ordered up to 96" wide.

## USE APPLIED PANELS TO:

- Cover exposed cabinet sides as an option to factory finished ends.
- Cover the exposed sides of multiple stacked cabinets.
- Refrigerator side panels.
- Cover the backs of island or peninsula cabinets.
- Cover the bottom of wall cabinets.
- Fill in void spaces.

## NOTE FOR 2020 USERS:

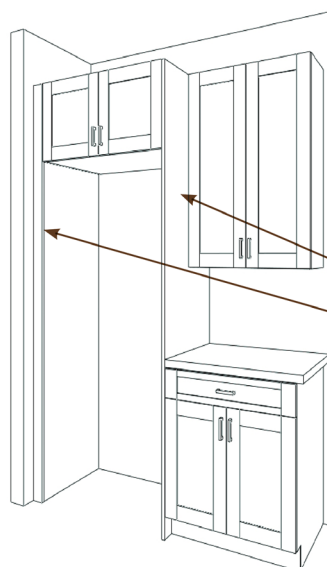
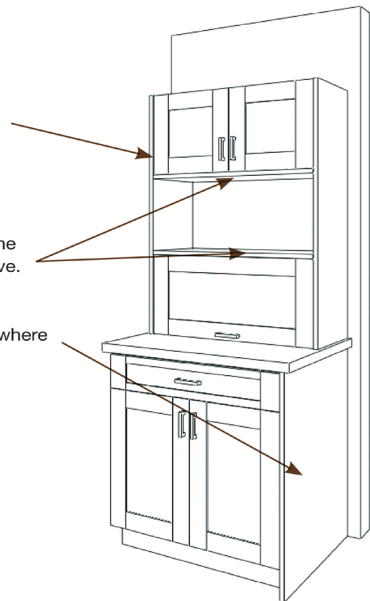
- On Applied Panel Custom and Reverse Grain Finished Back Custom, size to dimensions needed and the panel will price automatically based on square feet.



This example shows WAP45s used to cover both sides of two wall cabinets and create a center open space.

Two APCs (Applied Panel Custom) are placed to cover the top of the Wall Lift up on the counter, and the bottom of the wall cabinet above.

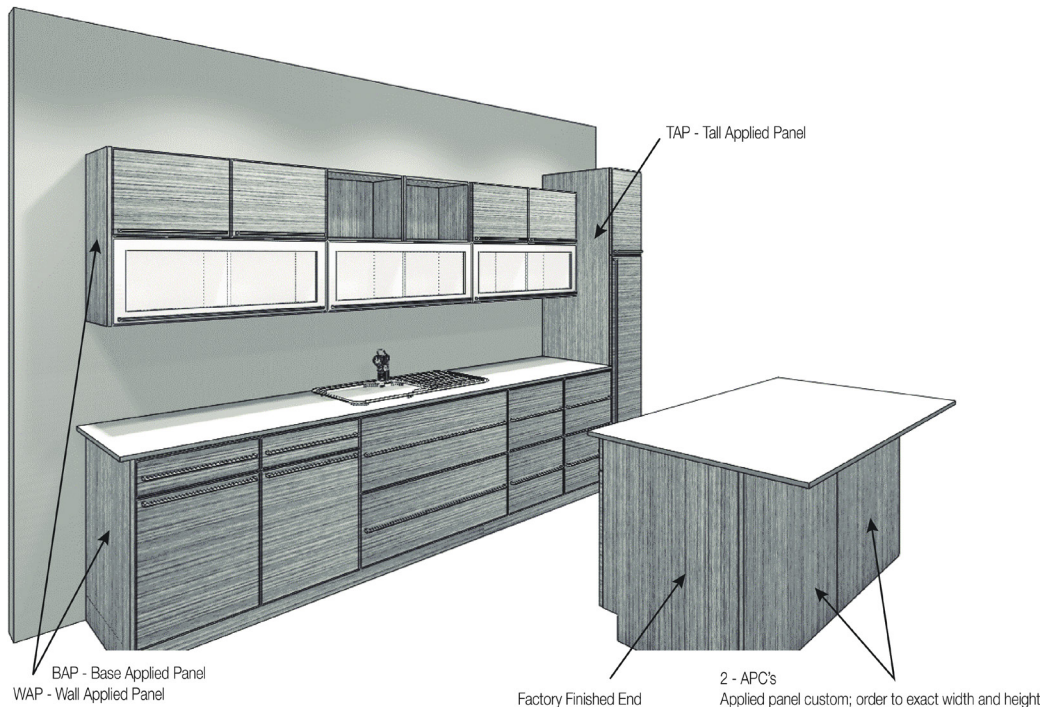
When using applied panels in a design, consider using them everywhere there is an exposed cabinet side.



This example shows a TAP (Tall Applied Panel), used to create a refrigerator cavity on the right side, and a TEP (Tall End Panel) to complete the cavity on the left. TEP includes a filler attached to the face.

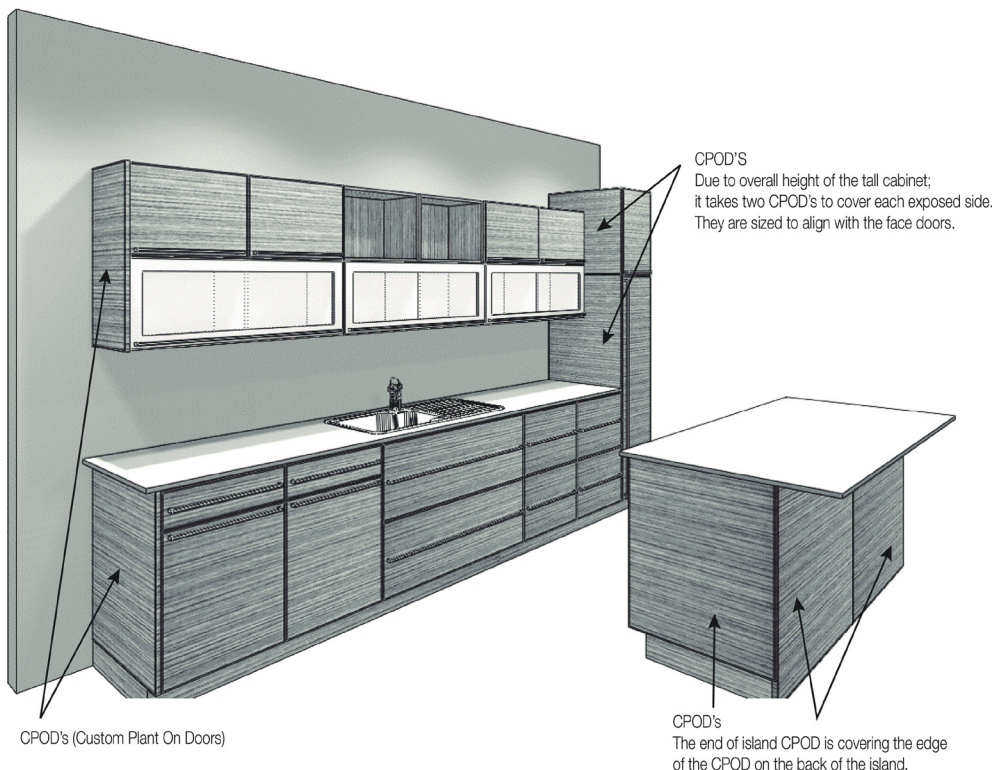
TAPs & TEPs also come in 27" and 31" depths. Consider the 27" depth, trim to 25 1/2" depth on the job site to capture the countertop overhang.

## Horizontal Pattern Doors and Use of Panels



This is an example of Applied End Panels used with a horizontal patterned door style, such as Moda or Rift. Applied Panels always have a vertical pattern direction, regardless of the door style. ( see individual door style page for more details). This same rule also applied to factory finished ends. The final appearance has emphasis on the horizontal faces with the vertical patterned ends providing visual balance.

## Horizontal Pattern Doors and Use of Custom Plant On Doors



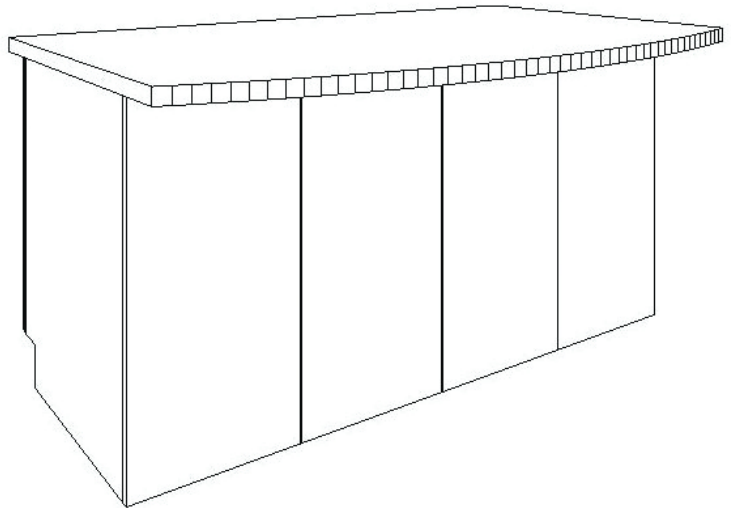
This is an example showing the solution for horizontal pattern on all surfaces. To achieve this with the Moda or Rift doors, use Custom Plant On Doors, (CPODs), to cover exposed cabinet sides. Being a 'door' panel, they will automatically match the door style pattern direction. Order CPODs to exact width by height needed. This example shows the CPODs flush to the door face. See Page AC.15 for more detailed information on CPODs.

## How to Address Island and Peninsula Backs

- Applied Panel Custom - APC (3/4" thick; DAPC 1-1/2" thick).
- Applied panels are finished on all surfaces, all 4 edges, and will match the door material and finish.
- They are manufactured to custom sizes you specify in 1/8" increments - WIDTH x HEIGHT.
- Maximum width and height is dependent upon material, refer to Accessories / Panels / Custom Sized Panels.

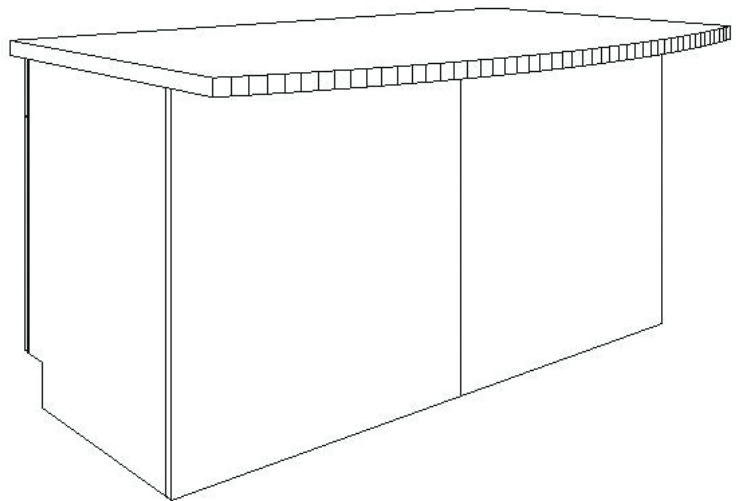
### Example:

72" wide island with 4 - 17 15/16" wide panels installed with a 1/8" reveal between the panels to duplicate the 1/8" reveal between all doors and drawers.



### Example:

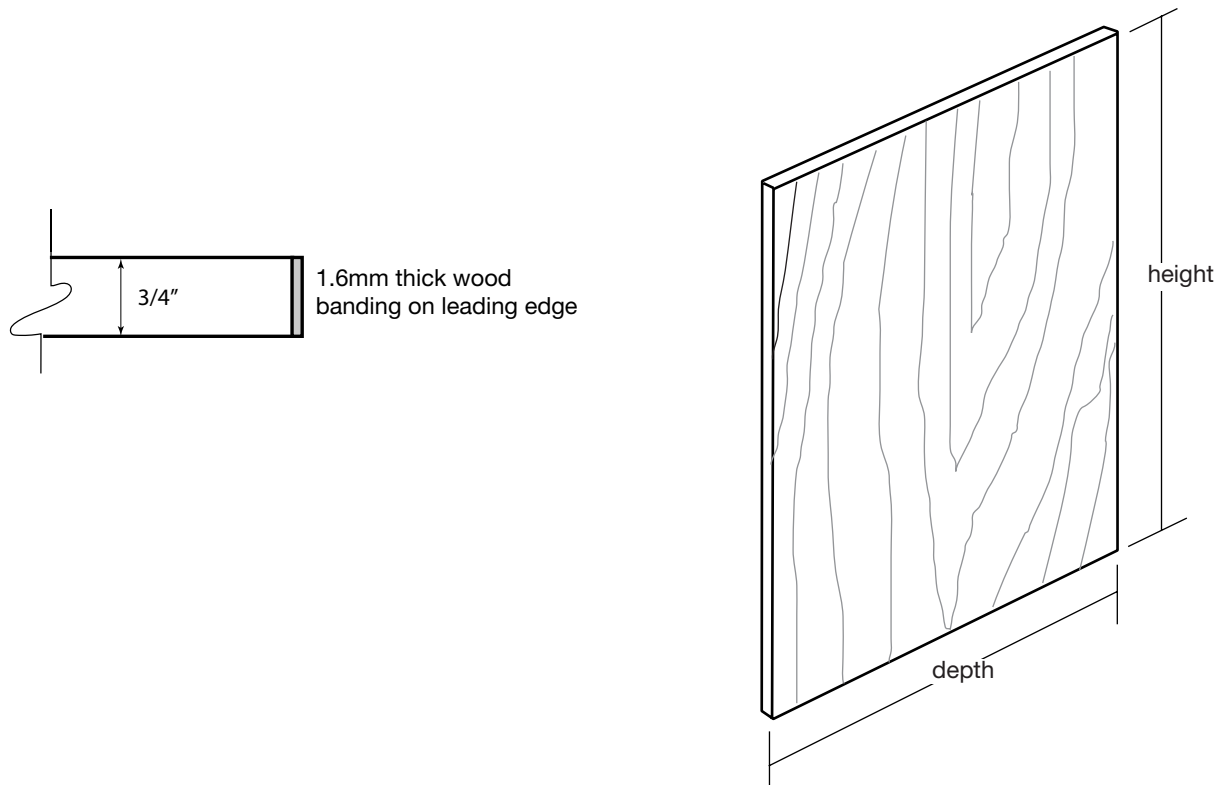
72" wide island with two 36" wide APC panels butted together. Height is 34 1/2". Panels could be ordered taller to allow for fitting to the floor on job site. A 96" wide x 48" tall reverse grain 3/4" thick finish back custom panel (RFBC) is available in select wood materials. This would provide a seamless install up to 96" wide.



## Factory Sized Applied Panel - 3/4" | AP

### WOOD APPLIED PANEL DETAILS:

- Alder, Cherry, Maple, Red Oak, Rift White Oak Wood Veneer
- These Applied Panels are wood veneer finished both sides with one side having a better appearance grade veneer
- Leading vertical edge of Applied Panel will have 1.6mm (1/16") thick solid wood banding. Top and bottom of Base, Vanity, & Tall panels will be un-banded; top and bottom of Wall Applied Panels will be banded with standard wood veneer tape.
- Grain direction will be vertical or the height dimension.
- Core material is particle board. If Plywood box option is specified, then core material of panels will be plywood.
- The plywood up charge applies.
- Alder, Cherry, Maple, and Red Oak available in panels up to 120" tall. Taller than 96" will automatically be plywood core.
- \*Rift White Oak Veneer is N/A taller than 96".
- Maple veneer is used for paint finish orders.



BASE, VANITY, FILE & WALL		
SKU	CABINET TYPE	PANEL DEPTH X HEIGHT
BAP	Base	25" X 34 1/2"
VAP	Vanity	22" X 32"
FAP	Desk	25" X 28 1/2"
WAP30	Wall	13" X 30"
WAP33	Wall	13" X 33"
WAP36	Wall	13" X 36"
WAP39	Wall	13" X 39"
WAP42	Wall	13" X 42"
WAP48	Wall	13" X 48"
WAP60	Tall	13" X 60"

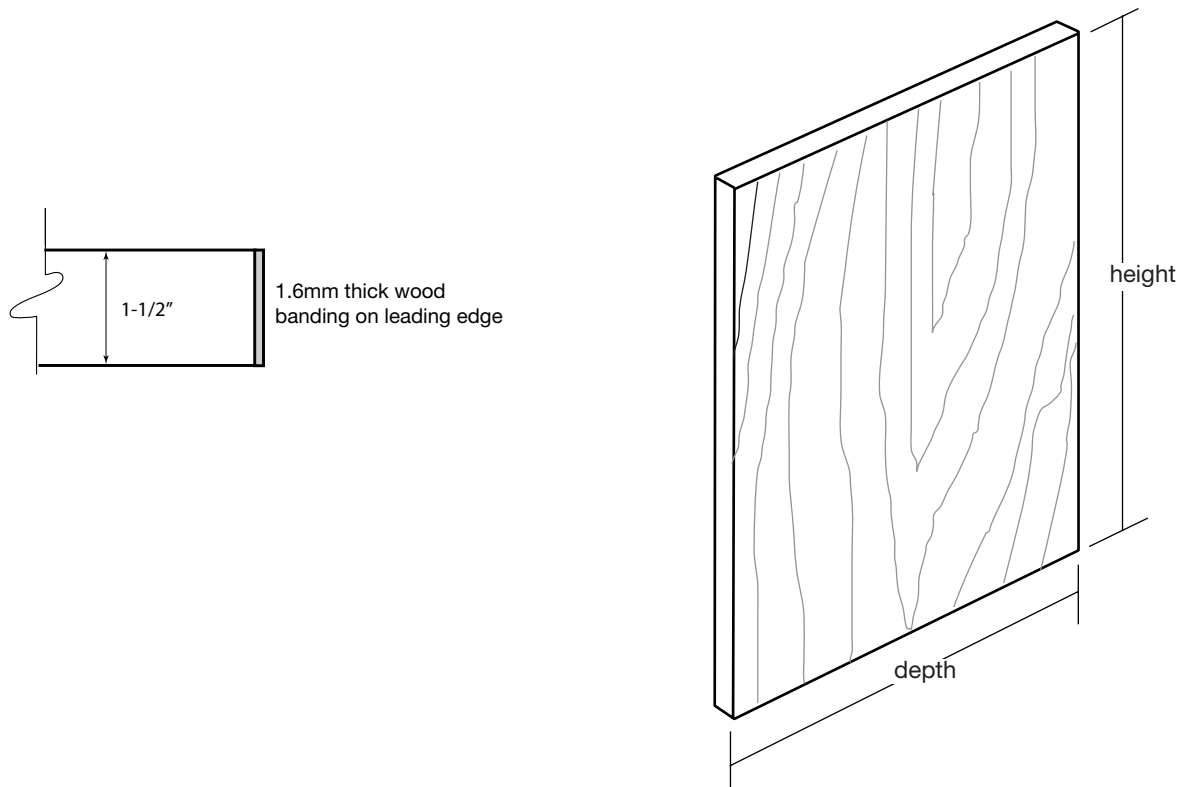
TALL		
SKU	CABINET TYPE	PANEL DEPTH X HEIGHT
TAP1396	Tall	13" X 96"
TAP2596	Tall	25" X 96"
TAP2796	Tall	27" X 96"
TAP3196	Tall	31" X 96"
TAP25108*	Tall	25" X 108"
TAP27108*	Tall	27" X 108"
TAP31108*	Tall	31" X 108"
TAP25120*	Tall	25" X 120"
TAP27120*	Tall	27" X 120"
TAP31120*	Tall	31" X 120"

15" WALL		
SKU	CABINET TYPE	PANEL DEPTH X HEIGHT
WAP30-16	Wall	16" X 30"
WAP33-16	Wall	16" X 33"
WAP36-16	Wall	16" X 36"
WAP39-16	Wall	16" X 39"
WAP42-16	Wall	16" X 42"
WAP48-16	Wall	16" X 48"
WAP60-16	Wall	16" X 60"

## Factory Sized Applied Panel - Double Thick 1 1/2" | DAP

### WOOD APPLIED PANEL DETAILS:

- Alder, Cherry, Maple, Red Oak, Rift White Oak Wood Veneer
- These Applied Panels are wood veneer finished both sides with one side having a better appearance grade veneer
- Leading vertical edge of Applied Panel will have 1.6mm (1/16") thick solid wood banding. Top and bottom of Base, Vanity, & Tall panels will be un-banded; top and bottom of Wall Applied Panels will be banded with standard wood veneer tape.
- Grain direction will be vertical or the height dimension.
- Core material is particle board. If Plywood box option is specified, then core material of panels will be plywood.
- The plywood up charge applies.
- Alder, Cherry, Maple, and Red Oak available in panels up to 120" tall. Taller than 96" will automatically be plywood core.
- \*Rift White Oak Veneer is N/A taller than 96".
- Maple veneer is used for paint finish orders.



BASE, VANITY, FILE & WALL		
SKU	CABINET TYPE	PANEL DEPTH X HEIGHT
DBAP	Base	25" X 34 1/2"
DVAP	Vanity	22" X 32"
DFAP	Desk	25" X 28 1/2"
DWAP30	Wall	13" X 30"
DWAP33	Wall	13" X 33"
DWAP36	Wall	13" X 36"
DWAP39	Wall	13" X 39"
DWAP42	Wall	13" X 42"
DWAP48	Wall	13" X 48"
DWAP60	Tall	13" X 60"

TALL		
SKU	CABINET TYPE	PANEL DEPTH X HEIGHT
DTAP1396	Tall	13" X 96"
DTAP2596	Tall	25" X 96"
DTAP2796	Tall	27" X 96"
DTAP3196	Tall	31" X 96"
DTAP25108*	Tall	25" X 108"
DTAP27108*	Tall	27" X 108"
DTAP31108*	Tall	31" X 108"
DTAP25120*	Tall	25" X 120"
DTAP27120*	Tall	27" X 120"
DTAP31120*	Tall	31" X 120"

15" WALL		
SKU	CABINET TYPE	PANEL DEPTH X HEIGHT
DWAP30-16	Wall	16" X 30"
DWAP33-16	Wall	16" X 33"
DWAP36-16	Wall	16" X 36"
DWAP39-16	Wall	16" X 39"
DWAP42-16	Wall	16" X 42"
DWAP48-16	Wall	16" X 48"
DWAP60-16	Wall	16" X 60"



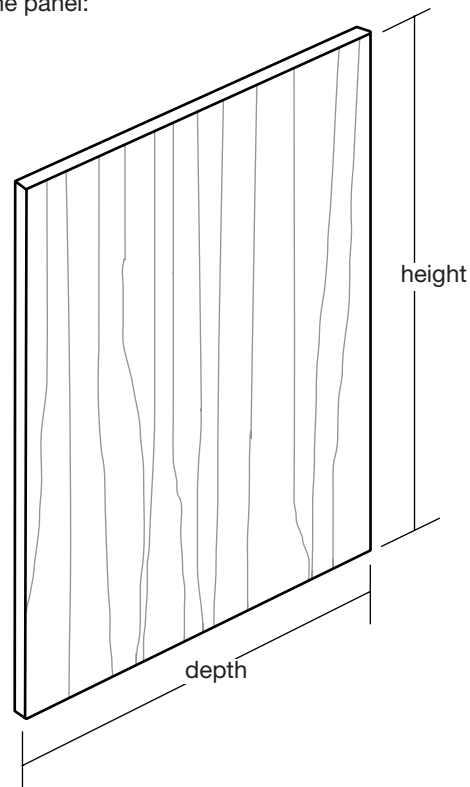
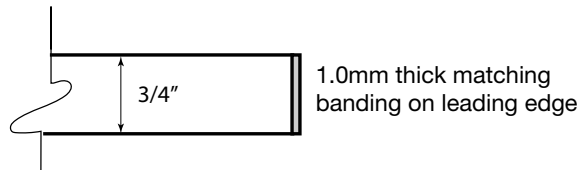
## Factory Sized Applied Panel - 3/4" | AP

### THERMAL STRUCTURED LAMINATE APPLIED PANEL DETAILS:

- **Moda, Casa, Parma & Monza door styles.**
- Applied Panels are matching laminate material both sides.\*
- Leading vertical edge of Applied Panel will have 1mm thick textured banding that matches banding of the door style (refer to door style page for more detail); top and bottom of Base, Vanity, & Tall panels will be un-banded; top and bottom of Wall panels will be banded with same edge as door style edge.
- Pattern direction will be vertical (height dimension) only
- Max height for Thermal Structured Surface panels is 108"
- Core material will always be particle board for these door styles, even with plywood box option.

### \*Note:

- These colors will have a 'lighter' surface texture on the 'B' side of the panel:
  - o Barrel
  - o Coastal
  - o Moroccan
  - o Tuscan
  - o Lodge
  - o Timber



BASE, VANITY, FILE & WALL		
SKU	CABINET TYPE	PANEL DEPTH X HEIGHT
BAP	Base	25" X 34 1/2"
VAP	Vanity	22" X 32"
FAP	Desk	25" X 28 1/2"
WAP30	Wall	13" X 30"
WAP33	Wall	13" X 33"
WAP36	Wall	13" X 36"
WAP39	Wall	13" X 39"
WAP42	Wall	13" X 42"
WAP48	Wall	13" X 48"
WAP60	Tall	13" X 60"

TALL		
SKU	CABINET TYPE	PANEL DEPTH X HEIGHT
TAP1396	Tall	13" X 96"
TAP2596	Tall	25" X 96"
TAP2796	Tall	27" X 96"
TAP3196	Tall	31" X 96"
TAP25108	Tall	25" X 108"
TAP27108	Tall	27" X 108"
TAP31108	Tall	31" X 108"

15" WALL		
SKU	CABINET TYPE	PANEL DEPTH X HEIGHT
WAP30-16	Wall	16" X 30"
WAP33-16	Wall	16" X 33"
WAP36-16	Wall	16" X 36"
WAP39-16	Wall	16" X 39"
WAP42-16	Wall	16" X 42"
WAP48-16	Wall	16" X 48"
WAP60-16	Wall	16" X 60"

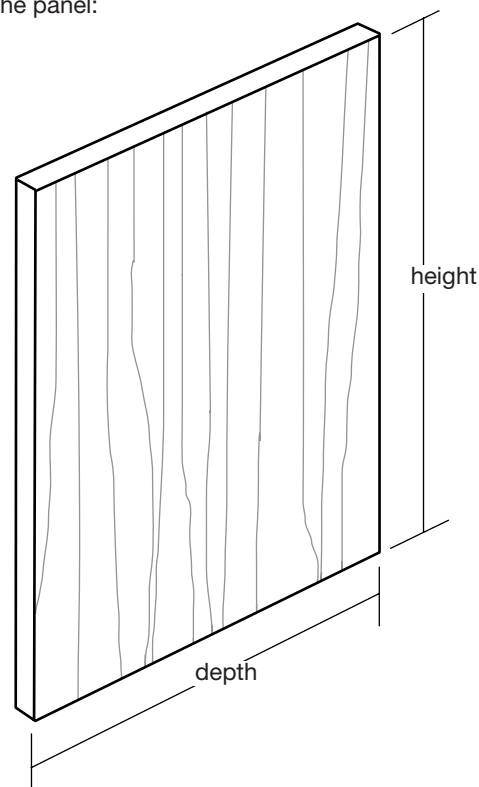
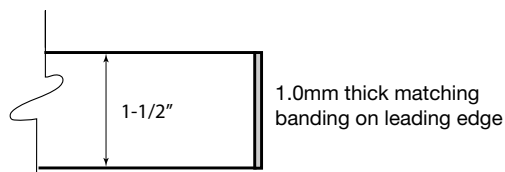
## Factory Sized Applied Panel - Double Thick 1 1/2" | DAP

### THERMAL STRUCTURED LAMINATE APPLIED PANEL DETAILS - 1 1/2":

- **Moda, Casa, Parma & Monza door styles.**
- Applied Panels are matching laminate material both sides\*.
- Leading vertical edge of Applied Panel will have 1mm thick textured banding that matches banding of the door style (refer to door style page for more detail); top and bottom of Base, Vanity, & Tall panels will be un-banded; top and bottom of Wall panels will be banded with same edge as door style edge.
- Pattern direction will be vertical (height dimension) only
- Max height for Thermal Structured Surface panels is 108"
- Core material will always be particle board for these door styles, even with plywood box option.

#### \*Note:

- These colors will have a 'lighter' surface texture on the 'B' side of the panel:
  - o Barrel
  - o Coastal
  - o Moroccan
  - o Tuscan
  - o Lodge
  - o Timber



BASE, VANITY, FILE & WALL		
SKU	CABINET TYPE	PANEL DEPTH X HEIGHT
DBAP	Base	25" X 34 1/2"
DVAP	Vanity	22" X 32"
DFAP	Desk	25" X 28 1/2"
DWAP30	Wall	13" X 30"
DWAP33	Wall	13" X 33"
DWAP36	Wall	13" X 36"
DWAP39	Wall	13" X 39"
DWAP42	Wall	13" X 42"
DWAP48	Wall	13" X 48"
DWAP60	Tall	13" X 60"

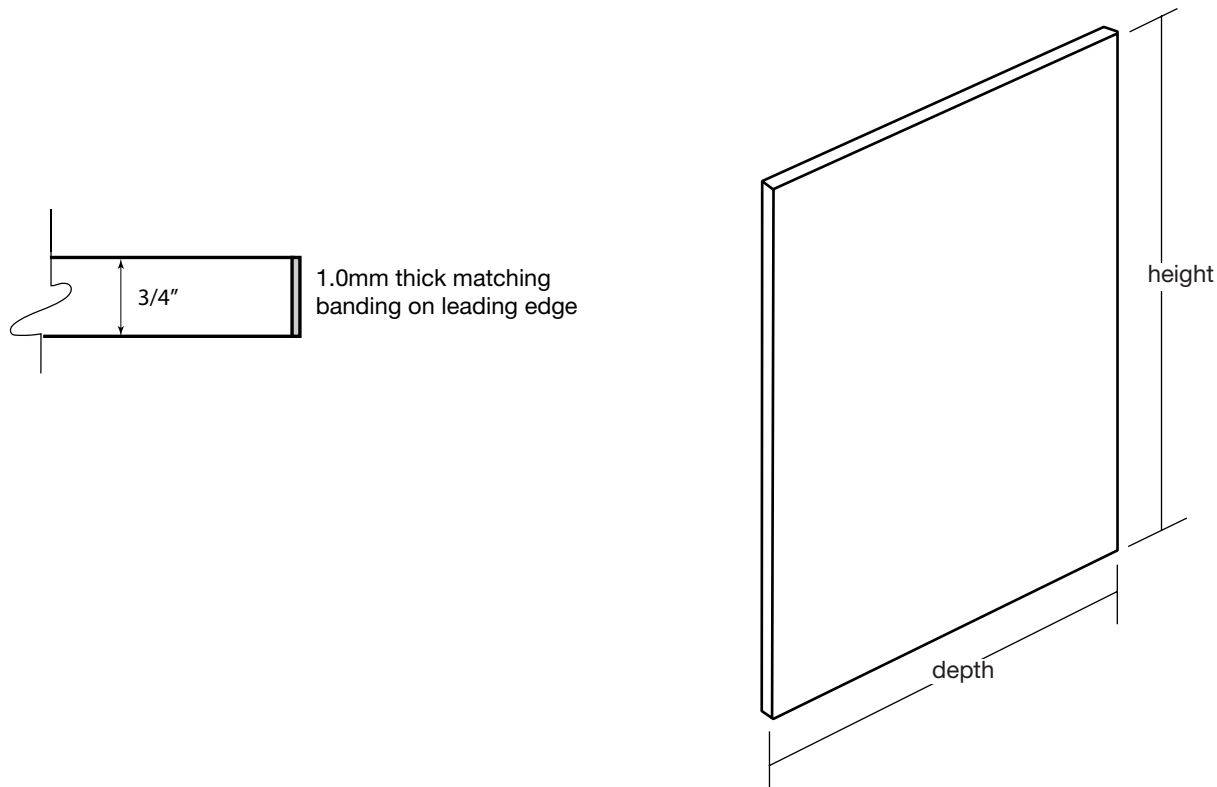
TALL		
SKU	CABINET TYPE	PANEL DEPTH X HEIGHT
DTAP1396	Tall	13" X 96"
DTAP2596	Tall	25" X 96"
DTAP2796	Tall	27" X 96"
DTAP3196	Tall	31" X 96"
DTAP25108	Tall	25" X 108"
DTAP27108	Tall	27" X 108"
DTAP31108	Tall	31" X 108"

15" WALL		
SKU	CABINET TYPE	PANEL DEPTH X HEIGHT
DWAP30-16	Wall	16" X 30"
DWAP33-16	Wall	16" X 33"
DWAP36-16	Wall	16" X 36"
DWAP39-16	Wall	16" X 39"
DWAP42-16	Wall	16" X 42"
DWAP48-16	Wall	16" X 48"
DWAP60-16	Wall	16" X 60"

## Factory Sized Applied Panel - 3/4" | AP

### HIGH-GLOSS & SUPER-MATTE LAMINATE APPLIED PANEL DETAILS:

- **Echo & Seta door styles.**
- Applied panels are high gloss finish (Echo door), or super-matte finish (Seta door), on on both sides.
- Leading edge of Applied Panel will have 1mm thick banding matching the door style. Top and bottom of Base, Vanity, & Tall panels will be un-banded; top and bottom of Wall panels will be banded with same edge as door style edge.
- Max height of panels is 108". Max width is 48".
- Core material will always be particle board for this door style material, even with plywood box construction option.



BASE, VANITY, FILE & WALL		
SKU	CABINET TYPE	PANEL DEPTH X HEIGHT
BAP	Base	25" X 34 1/2"
VAP	Vanity	22" X 32"
FAP	Desk	25" X 28 1/2"
WAP30	Wall	13" X 30"
WAP33	Wall	13" X 33"
WAP36	Wall	13" X 36"
WAP39	Wall	13" X 39"
WAP42	Wall	13" X 42"
WAP48	Wall	13" X 48"
WAP60	Tall	13" X 60"

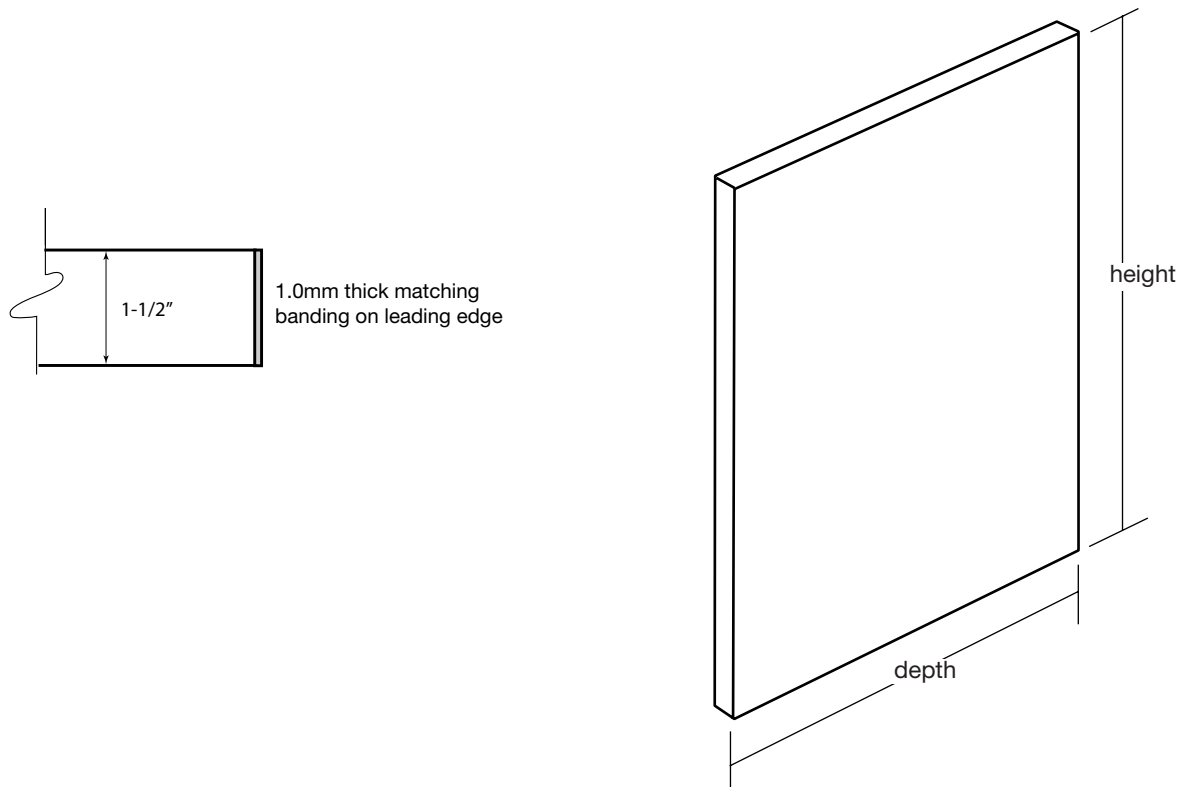
TALL		
SKU	CABINET TYPE	PANEL DEPTH X HEIGHT
TAP1396	Tall	13" X 96"
TAP2596	Tall	25" X 96"
TAP2796	Tall	27" X 96"
TAP3196	Tall	31" X 96"
TAP25108	Tall	25" X 108"
TAP27108	Tall	27" X 108"
TAP31108	Tall	31" X 108"

15" WALL		
SKU	CABINET TYPE	PANEL DEPTH X HEIGHT
WAP30-16	Wall	16" X 30"
WAP33-16	Wall	16" X 33"
WAP36-16	Wall	16" X 36"
WAP39-16	Wall	16" X 39"
WAP42-16	Wall	16" X 42"
WAP48-16	Wall	16" X 48"
WAP60-16	Wall	16" X 60"

## Factory Sized Applied Panel - Double Thick 1 1/2" | DAP

### HIGH-GLOSS & SUPER-MATTE LAMINATE APPLIED PANEL DETAILS:

- **Echo & Seta door styles.**
- Applied panels are high gloss finish (Echo door), or super-matte finish (Seta door), on both sides.
- Leading edge of Applied Panel will have 1mm thick banding matching the door style. Top and bottom of Base, Vanity, & Tall panels will be un-banded; top and bottom of Wall panels will be banded with same edge as door style edge.
- Max height of panels is 108". Max width is 48".
- Core material will always be particle board for this door style material, even with plywood box construction option.



BASE, VANITY, FILE & WALL		
SKU	CABINET TYPE	PANEL DEPTH X HEIGHT
DBAP	Base	25" X 34 1/2"
DVAP	Vanity	22" X 32"
DFAP	Desk	25" X 28 1/2"
DWAP30	Wall	13" X 30"
DWAP33	Wall	13" X 33"
DWAP36	Wall	13" X 36"
DWAP39	Wall	13" X 39"
DWAP42	Wall	13" X 42"
DWAP48	Wall	13" X 48"
DWAP60	Tall	13" X 60"

TALL		
SKU	CABINET TYPE	PANEL DEPTH X HEIGHT
DTAP1396	Tall	13" X 96"
DTAP2596	Tall	25" X 96"
DTAP2796	Tall	27" X 96"
DTAP3196	Tall	31" X 96"
DTAP25108	Tall	25" X 108"
DTAP27108	Tall	27" X 108"
DTAP31108	Tall	31" X 108"

15" WALL		
SKU	CABINET TYPE	PANEL DEPTH X HEIGHT
DWAP30-16	Wall	16" X 30"
DWAP33-16	Wall	16" X 33"
DWAP36-16	Wall	16" X 36"
DWAP39-16	Wall	16" X 39"
DWAP42-16	Wall	16" X 42"
DWAP48-16	Wall	16" X 48"
DWAP60-16	Wall	16" X 60"

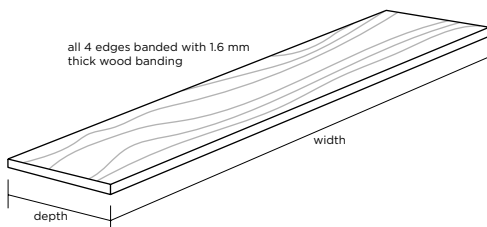
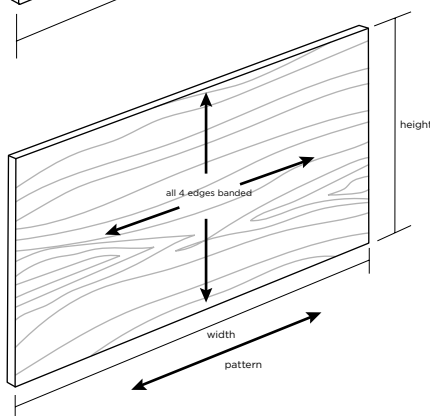
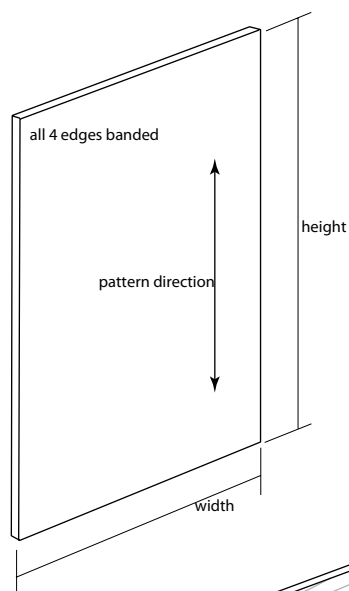
## Applied Panel Custom Sized - 3/4" & Double Thick 1 1/2" | APC, DAPC

### WOOD & LAMINATES APPLIED PANEL DETAILS:

- Use Applied Panel Custom when requiring specific dimensions.
- Order width x height to the 1/8"; priced by square foot. Edit dimensions in 2020 attributes, and it will price automatically. 3" minimum width.
- Applied Panel Custom is available in all materials. Refer to Standard Applied Panels for notes on specific materials.
- If there is a pattern direction, it will run the 2nd or height dimension.
- All 4 panel edges will be banded on APC's with 1.6mm thick banding on wood veneers, 1.0mm thick banding on laminates.
- All panels finished both sides, see special notes for each material below.

### Note:

- Select the item in 2020, open "Attributes", modify dimensions to exact size needed on general tab, in 1/8" increments, and 2020 will price automatically.



APC - 3/4" & DAPC 1 1/2"				
DOOR STYLE MATERIAL:	MAX WIDTH	MAX HEIGHT	CORE	PLY OPTION
Moda, Casa, Parma, Monza	72"	108"	PB	No
Echo & Seta Door	48"	108"	MDF	No
Standard Wood Veneers	48"	120"	PB	Yes
Rift White Oak Veneer	48"	96"	PB	Yes

Use APC-ISL for island backs and when a horizontal pattern direction is preferred. Note width is the pattern direction.

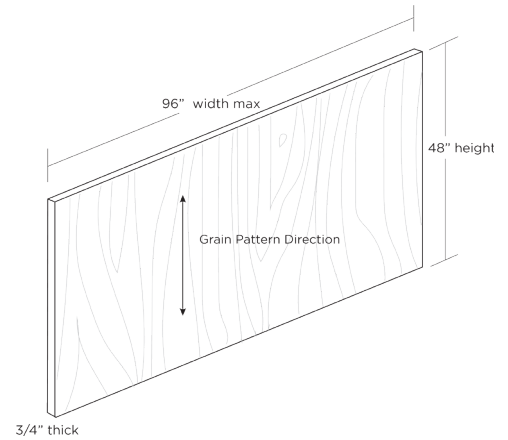
APC-ISL - 3/4" & DAPC-ISL 1 1/2"				
DOOR STYLE MATERIAL:	MAX WIDTH	MAX HEIGHT	CORE	PLY OPTION
Moda, Casa, Parma, Monza	108"	72"	PB	No
Echo & Seta Door	108"	48"	MDF	No
Standard Wood Veneers	120"	48"	PB	Yes
Rift White Oak Veneer	96"	48"	PB	Yes

Use APC-H when a horizontal 'shelf' or 'cap' placement is require. Note width is the pattern direction.

APC-H - 3/4" & DAPC-H 1 1/2"				
DOOR STYLE MATERIAL:	MAX WIDTH	MAX DEPTH	CORE	PLY OPTION
Moda, Casa, Parma, Monza	108"	72"	PB	No
Echo & Seta Door	108"	48"	MDF	No
Standard Wood Veneers	120"	48"	PB	Yes
Rift White Oak Veneer	96"	48"	PB	Yes

## 3/4" Reverse Grain Finished Back Custom | RFBC Wood Veneer

- Available in Alder, Cherry, Maple, & Red Oak WOOD VENEERS ONLY.
- Reverse grain direction panel.
- Both sides finished and all edges banded with 1.6mm thick solid wood banding.
- Specify width x height; grain will run the second or height dimension.
- 96" MAX WIDTH X 48" MAX HEIGHT.
- RFBC recommended for island or peninsula back panels.
- Paint finish orders will use Maple veneer.
- Not available in Rustic Alder, Rift White Oak, or Laminate materials (Moda, Casa, Parma, Monza, Echo and Seta).
- 1/4" thick version available in full size sheets only; see 1/4" Panels and Skins menu.

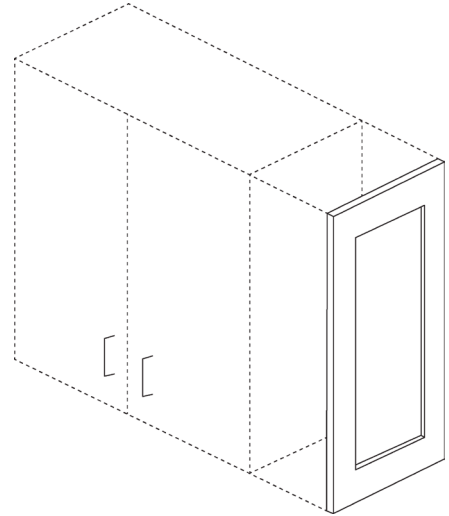


SKU
RFBC

# PLANT ON DOORS

## Custom Plant on Doors | CPOD

- False door panel.
- Field install.
- Specify width x height to the 1/16".
- Priced by the square foot ( width x height ÷ 144 )
- Max depth = 48". Max height = 72"
- 48-1/16" and taller door height will have center rail on all stile and rail doors
- 26-1/16" and wider will have center stile.
- TIPS: To have CPOD height align with door height on face of cabinet, order CPOD 1/4" shorter than cabinet height (ex: 29 3/4" for W30" Tall).
- Width (or depth) depends on look wanted, recommend flush to door face; this would be box depth plus 7/8" (3/4" thick door and 1/8" space for door bumper)
- Factory finished ends recommended if any cabinet side surface exposed.
- Order as CPODF if false drawer front is needed. This will assure details will match the drawer fronts. Pricing is the same.
- Order as HD if the false door needed requires hinge hardware. The door will be bored and hinge hardware included. See below.



### Note for 2020:

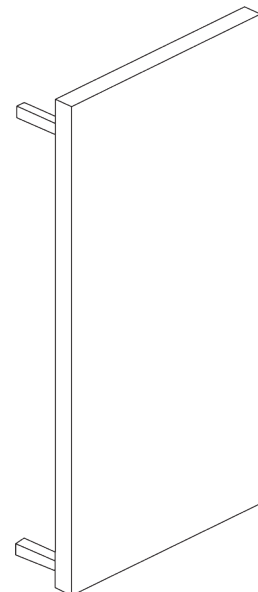
- CPODs can be placed in graphics, and will automatically price once size is entered in attributes. Size to the 1/16".

SKU
CPOD

## Hinged Door | HD

- Plant on door that includes hinge boring and standard 110 degree soft close hinges.
- Field install.
- Specify width x height to the 1/16".
- Max width = 26". Max height = 91-1/2".
- 48-1/16" and taller will have center rail on all stile and rail doors.
- 26-1/16" and wider will have center stile.

SKU
HD



# END PANELS

## Base End Panel | BEP, TEP

- 3/4" panel with 'filler' attached. 1.5" wide or 3" wide filler. No toe kick notch.
- Panel finished both sides with same material; grain or pattern will be vertical on panel and face piece.
- Order as TEP3-31120 = Tall End Panel 3" face 31" deep x 120" tall.

### WOOD MATERIAL PANELS:

- Small v-groove detail at seam of hardwood filler and panel on wood orders.
- Available in heights up to 120" in Alder, Cherry, Maple, Red Oak only.
- For paint finish, Maple will be used.
- Rift White Oak veneer 96" height max.
- With plywood box option, panel material will be plywood core.
- 108" and 120" tall panels will be plywood core only.

### LAMINATE MATERIAL PANELS:

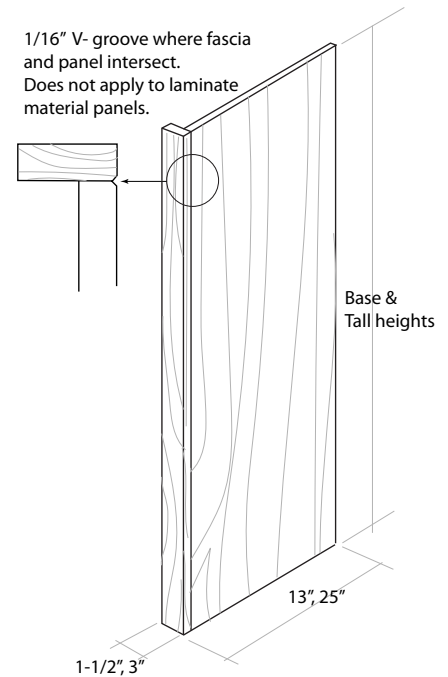
#### (Echo, Seta, and White Themofoil Doors - Contempo)

- The edges of the face piece will be banded with the same color and material as the door style.
- Panel core material will be MDF for Echo and Seta and WHITE FOIL door styles.
- Max height is 108" for Echo & Seta and 96" for Foils.

### THERMAL STRUCTURED LAMINATE PANELS:

#### (Moda, Casa, Parma, Monza)

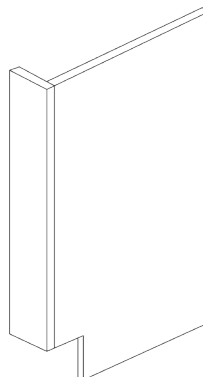
- The face piece will be edgebanded with same PVC material and color as door style edgebanding.
- Pattern direction will be vertical on panel and face.
- With plywood box option, core material will remain particleboard.
- Max height is 108".



## Dishwasher End Panel | DWEP (1/5", 3" & 6")

- 3/4" finished panel with 1.5", or 3" filler attached.
- Includes a 4-1/2" tall x 3" deep toe notch. ( If no notch preferred, see BEP's)
- Panel and filler match door material and color.
- Filler is attached to panel; there is a small v-groove detail at the seam.
- Grain or pattern direction will be vertical on panel and face.
- **Must order left or right hand.**

SKU
DWEP1.5
DWEP 3
DWEP 6



Right hand shown

SKU	WIDTH & HEIGHT	CABINET TYPE
BEP1.5 OR BEP3	-2534,5	BASE
TEP1.5 OR TEP3	-2584	TALL
TEP1.5 OR TEP3	-2784	TALL
TEP1.5 OR TEP3	-3184	TALL
TEP1.5 OR TEP3	-2587	TALL
TEP1.5 OR TEP3	-2787	TALL
TEP1.5 OR TEP3	-3187	TALL
TEP1.5 OR TEP3	-2590	TALL
TEP1.5 OR TEP3	-2790	TALL
TEP1.5 OR TEP3	-3190	TALL
TEP1.5 OR TEP3	-2593	TALL
TEP1.5 OR TEP3	-2793	TALL
TEP1.5 OR TEP3	-3193	TALL
TEP1.5 OR TEP3	-2596	TALL
TEP1.5 OR TEP3	-2796	TALL
TEP1.5 OR TEP3	-3196	TALL
TEP1.5 OR TEP3	-25108*	TALL
TEP1.5 OR TEP3	-27108*	TALL
TEP1.5 OR TEP3	-31108*	TALL
TEP1.5 OR TEP3	-25120*	TALL
TEP1.5 OR TEP3	-27120*	TALL
TEP1.5 OR TEP3	-31120*	TALL



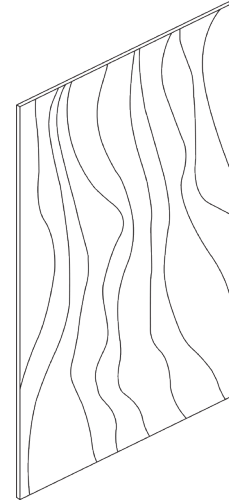
## 1/4" Thick Wood Panels | HPNL, TPNL

### Wood Veneer

- 1/4" thick wood veneer panels finished on one side.
- Cut to fit on job site.
- Recommend outside corner molding to cover edges.
- Grain runs direction of second dimension (height).
- HPNL4848 = 48" x 48" panel.
- TPNL4896 = 48" x 96" panel.

#### Note for 2020:

- These panels are available in Alder, Cherry, Red Oak and Maple veneers only. They are not available in Rift White Oak veneer or any laminates.



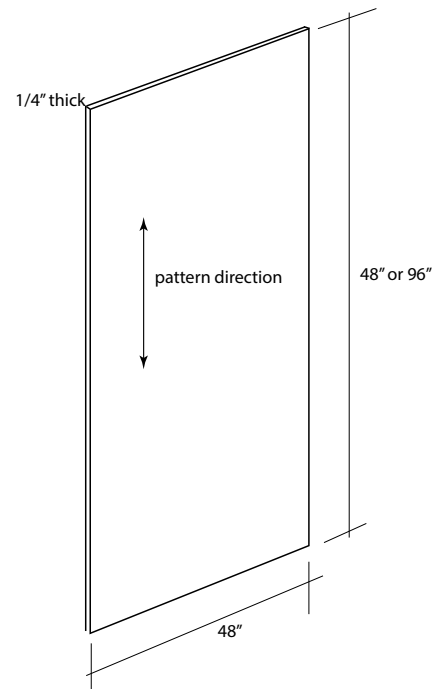
SKU
HPNL4848
TPNL4896

## 1/4" Laminated Panels | HLPNL, TLPNL

### Laminates

- These panels are same laminate materials used for Echo, Seta, Moda, Casa, Parma, and Monza door styles.
- Order by door style and color.
- The laminate material is bonded to a 1/4" thick MDF panel for field installation as needed.
- **The 1/4" thick edges are not finished**, and therefore are not intended for use as an end panel.
- These are intended for appliance fronts, or decorative panels.
- They are offered in two sizes; 48" x 96" and 48" x 48". In the case of pattern materials, the pattern runs the direction of the second dimension.
- For 'skins' only, with no backer material; see LL, TL.
- HPNL4848 = 48" x 48" panel.
- TPNL4896 = 48" x 96" panel.

SKU
HLPNL4848
TLPNL4896



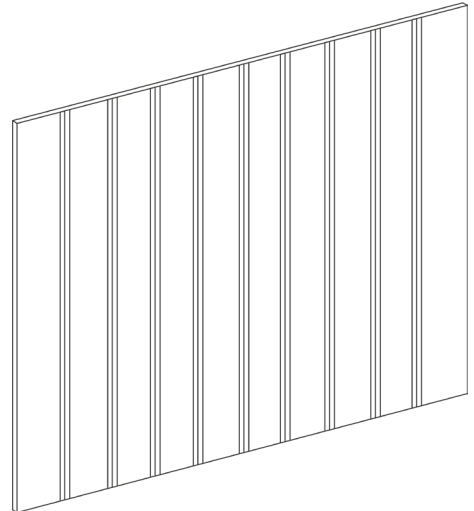
# PANELS

## 1/4" Beaded Panel | HBPNL, TBPNL

### Wood

- Finished one side only; beading is a machined groove.
- Each line of beading is 1.5" apart from center to center.
- Use for covering island or peninsula backs, or for accent at the back of an open cabinet.
- Cut to fit on job site.
- Place on separate order if specifying contrasting color.
- HBPNL4848 = 48" x 48" panel.
- TBPNL4896 = 48" x 96" panel.
- Available in Alder, Cherry, Maple, & Red Oak ONLY.
- Not available in Rift White Oak or Rustic Alder.
- 48" x 48" or 96".

SKU
HBPNL4848
TBPNL4896

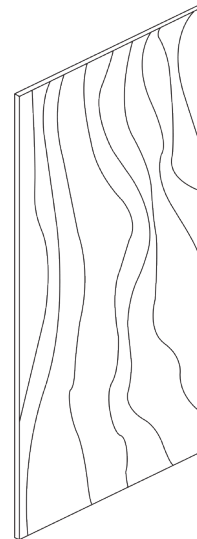


## 1/4" Styled Appliance Backer Wood Panel | SABP

### Wood Veneer

- Use SABP 1/4" thick panel for a flat panel style appliance front. This panel would install into a frame built into the appliance. Order to exact width x height. Finish will match door style specified.
- If door style panels are preferred, order CPODs to exact size; see next page.

SKU
SABP

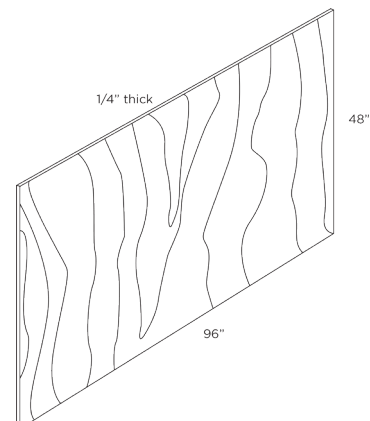


## 1/4" Thick Reverse Grain Wood Panel | RPNL

### Wood Veneer

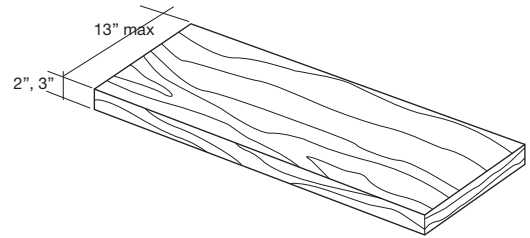
- 96" wide x 48" tall x 1/4" thick.
- Grain runs 48" direction.
- Available only in Alder, Cherry, Maple, and Red Oak veneers.
- For 3/4" thick, and made to specific size; use RFBC.

SKU
RPNL9648



## Floating Shelves | FSH2 & FSH3

- Depth of 13" maximum; 2" or 3" thickness available.
- 6" minimum depth.
- Shelf is finished on all surfaces except for the back edges.
- Includes sturdy steel mounting bracket designed to fasten to wall studs with lag screws.
- Hollow construction with 1/2" thick panel material used for outside surfaces. Shelf slides over steel bracket.



**Note:**

- All laminate & melamine products will exhibit a fine black edge where the front face material meets the side material. This line is the laminated product 'backer' common to all laminated materials. It will be most prevalent with white or light finishes.

**Order Instructions:**

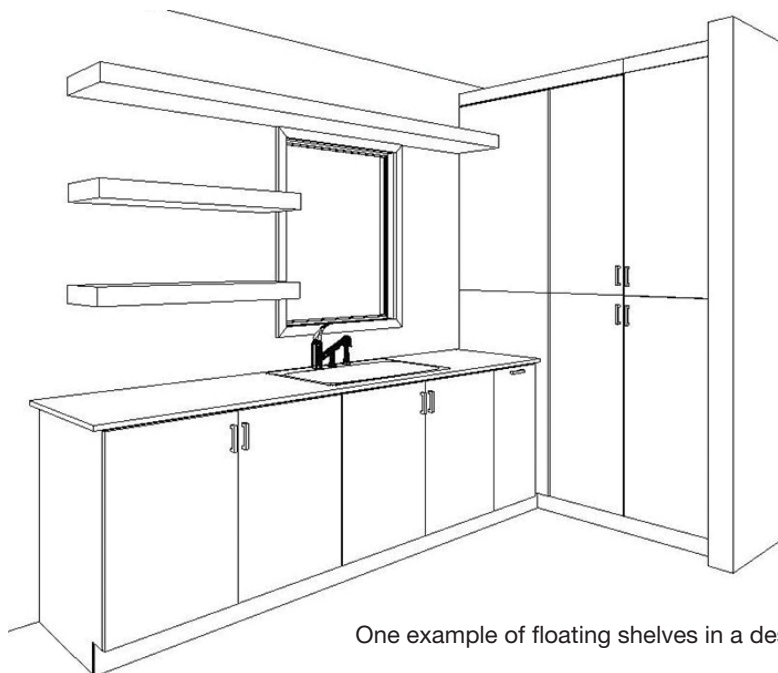
1. Select SKU based on thickness (2" or 3") and overall width. For example, to order a 42" floating shelf, select 48" wide SKU (FSH2-48).
2. Drag onto floor plan in 2020. To specify sizing right click and go into "Attributes."
3. Customize the height and width on the "General Tab"



SKU	LENGTH RANGE
FSH2-48	12" - 48"
FSH2-72	49" - 72"
FSH2-96	73" - 96"

SKU	LENGTH RANGE
FSH3-48	12" - 48"
FSH3-72	49" - 72"
FSH3-96	73" - 96"

- Attach steel mounting bracket (included) to studs with lag screws and flat washers; box tightly slips over bracket. Connect to at least 2 studs, three studs if longer than 4 feet.
- Floating shelves are not intended for high load capacity.



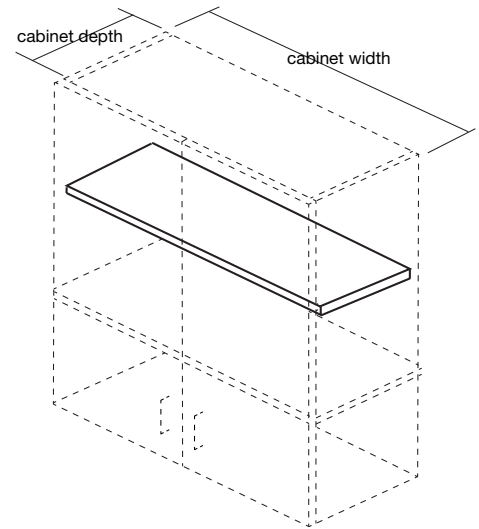
One example of floating shelves in a design.

Consider ordering the shelves in a contrasting finish or color to the cabinetry for more visual interest.

### Extra Shelf-Box Material | ES-BM

- Use this selection to order additional adjustable shelves.
- Provide outside width and depth dimensions of the cabinet requiring the extra shelf; Latitude Cabinets will auto calculate exact size required to fit.
- 5/8" thick adjustable shelf produced in cabinet box material as specified.
- Core material will be particle board for melamine selections; Plywood for Plywood selection.
- One face edge banded in matching PVC banding.
- Four shelf clips included with each shelf.

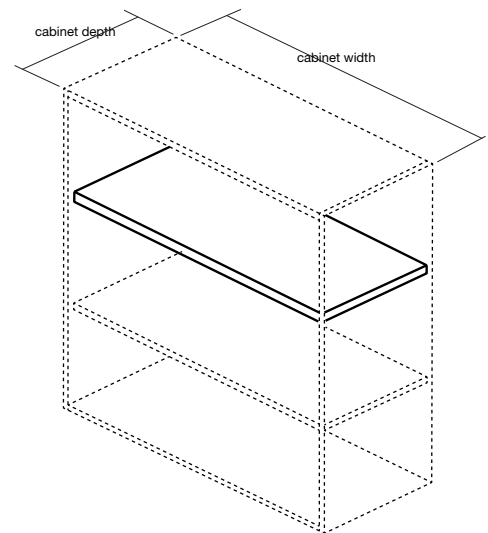
SKU
ES-BM



### Extra Shelf-Finished Material | ES-FM

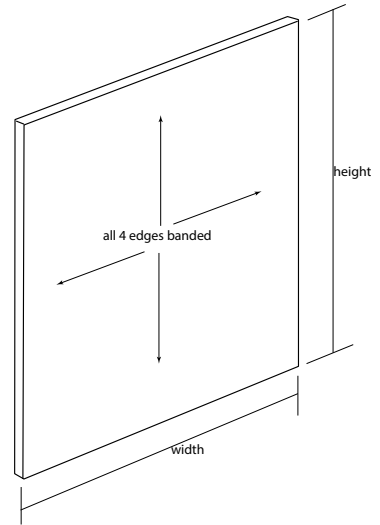
- Use this selection to order additional adjustable shelves for cabinets built with a finished interior
- Provide outside width and depth dimensions of the cabinet requiring the extra shelf; Latitude Cabinets will auto calculate exact size required to fit. If there is a grain pattern, the pattern will run the width direction of the shelf
- 3/4" thick adjustable shelf produced in matching finished cabinet box material as specified.
- Core material will match core material used in original cabinet construction.
- One face edge banded in matching finished edge banding.
- Four shelf clips included with each shelf.

SKU
ES-FM



### Box Material Panel | BMP

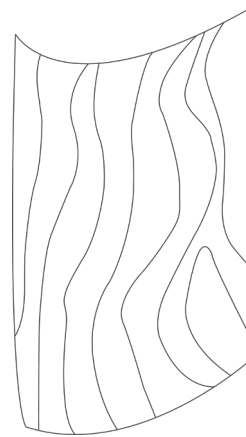
- Use this selection if needing panels of cabinet box material.
- 5/8" thick.
- Available in Melamine colors and Plywood.
- Same material both sides.
- All 4 edges are banded with matching PVC banding.  
Note: Plywood material will be banded with a natural Maple looking PVC banding.
- Order to exact size, width x height (Max size: 48" x 96").
- For Maple Melamine and Plywood materials, the grain pattern will run with the 2nd dimension, or height.



SKU
BMP

### Pressure Sensitive Wood Veneer | PSV

- 1/32" thick wood veneer 'skin' for field repair.
- Veneer skins have peel and stick pressure sensitive adhesive.
- Skins can be ordered finished or unfinished.
- Scuff sand and clean surface before applying veneer.
- After applying, sand or file edges carefully.
- Specify material and color to order.
- Available: Red Oak, Maple, Alder, Cherry, and Paint Grade.



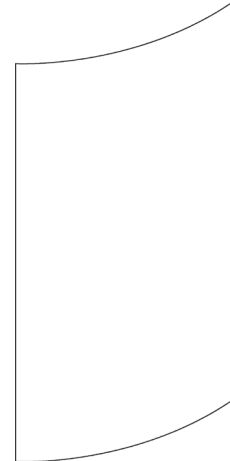
SKU
PSV1230
PSV1248
PSV2436
PSV1296
PSV2496

### Loose Laminate Sheets | LL, TL

- 48" X 96" sheet of laminate.
- Use for field install applications.
- Order by door style and color.

**Example:**

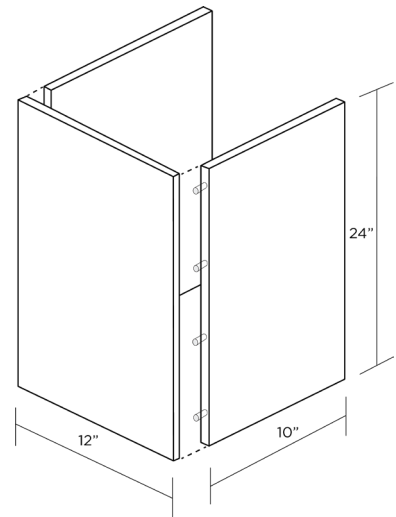
- Moda/Stone:
  - o LL = Laminate Loose
  - o Door Styles: Echo and Seta
  - o TL = Textured Loose
  - o Door Styles: Moda, Casa, Monza and Parma
- If a wood grain pattern material, the pattern will run the 96" direction.



SKU
LL4896
TL4896

### Hood Vent Cover | HVCI, HVCE

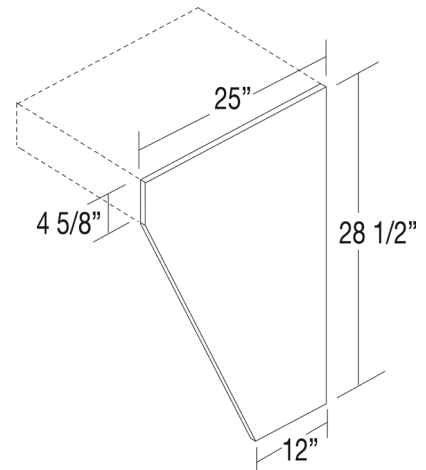
- Three panels used for covering hood ducting.
- Available in interior box material or finished material to match cabinetry.
- Parts are shipped loose and are pre-doweled for easy assembly; trim to fit onsite.
- HVCI = interior box material.
- HVCE = exterior box material.
- Front Panel - 12" x 24".
- Left Panel - 10" x 24".
- Right Panel - 10" x 24".



SKU
HVCI
HVCE

### Base Desk Leg | BDL

- 3/4" thick panel finished both sides.
- Front edges banded with matching material.
- Used to support 6" tall base knee drawer.



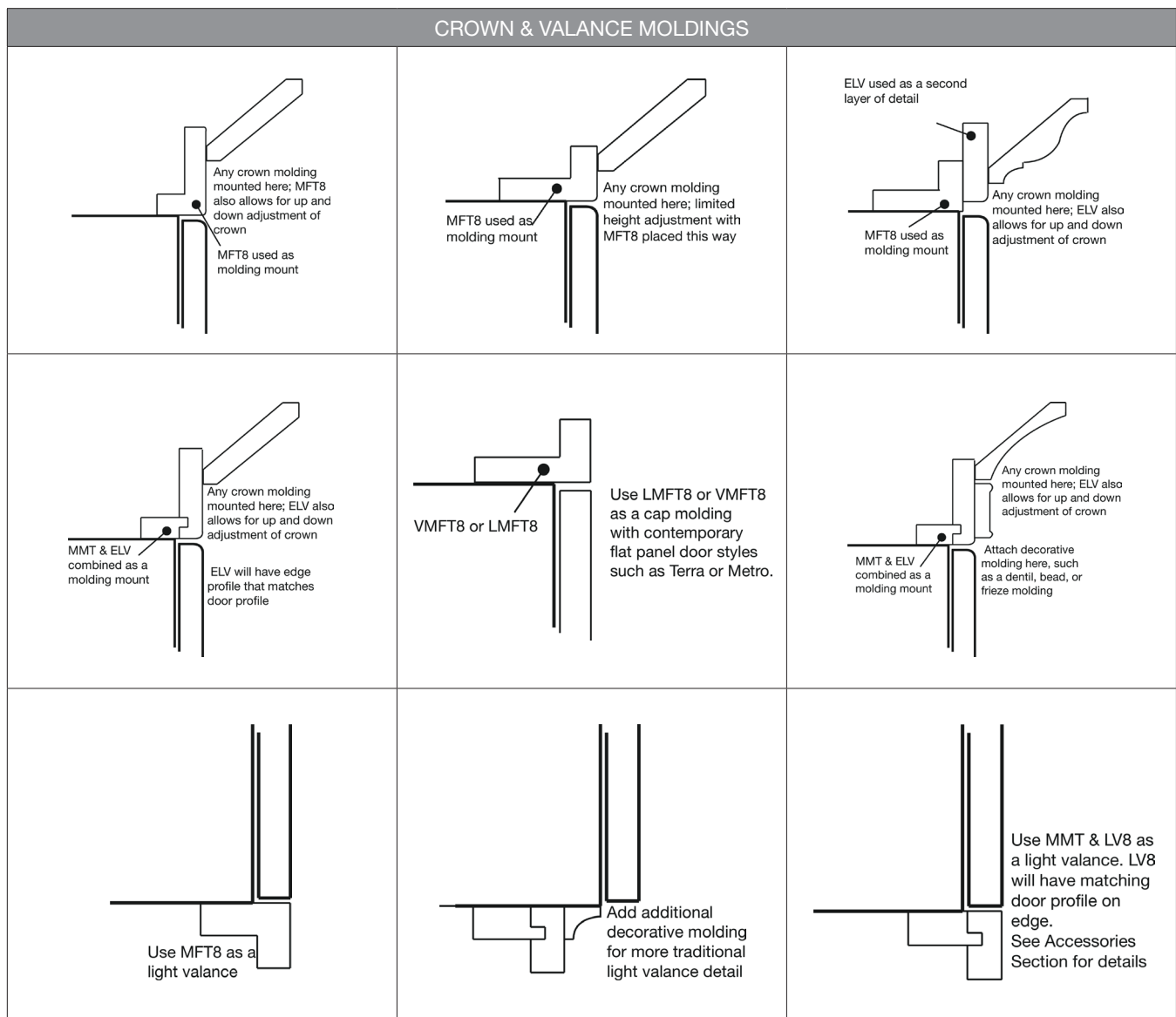
SKU
BDL

## Working with Moldings

- Successful molding applications require the proper molding mount materials.
  - Use WMFT8 (Molded Filler Tall) for a molding mount with standard wood or paint finish doors.
  - Use VMFT8 (Veneer Molded Filler Tall) for wood veneer doors such as Urbana or Rift.
  - Use LMFT8 (Laminated Molded Filler Tall) for laminated doors.

**Note:**

- VMFT8 & LMFT8 have square outside corners; WMFT8 has 1/8" roundover
- LV, ELV, PF will automatically be machined with an edge profile matching the wood door style's edge profile (see door style pages for these details). If the profile is needed on the A edge of one of these, order the -A version. On the B edge, order -B. If you want the door edge on both long edges, order -AB.
- MMT will come fully finished, and is not intended to be used as a mounting piece only. Attach to LV, ELV, or PF in the field.
- Use Molding Mount (MMT) combined with LV or ELV to create crown mount fascias or light valance moldings.
- Use Profiled Filler (PF) as a furniture base molding, a simple cap molding, or anywhere a solid wood piece with profiled edge is required.
- Should your design require a combination of edges on one piece of these moldings, order the C or custom version, and specify the edge profile needed for A and/or B on the order.



## Wood Moldings

- All 8' moldings available in Alder, Cherry, Maple, and Red Oak. For paint finish, Maple will be used. Not available in Rift white Oak wood or laminates. **These moldings are not available in materials to match the following door styles: Rift, Contempo, Moda, Casa, Parma, Monza, Echo and Seta.**

SKU
GS8
BS8
BS10
SE8
SE10
IC8
OC8
AOC8
QR8
SS8
BM8
SM8
BASE8
BTM8

**BOLD LINE DESIGNATES SURFACES THAT WILL BE FINISHED.**

WOOD MOLDINGS			
<b>GS8</b> GLASS BEAD	<b>BS8 &amp; BS10</b> BACK SPLASH	<b>SE8 &amp; SE10</b> SELF EDGE	<b>IC8</b> INSIDE COVE
<b>OC8</b> OUTSIDE CORNER	<b>AOC8</b> ANGLED OUTSIDE CORNER	<b>QR8</b> QUARTER ROUND	<b>BM8</b> BATTEN MOLDING
<b>SM8</b> SCRIBE	<b>SS8</b> SOFFIT SCRIBE	<b>BASE8</b> BASE MOLDING	<b>BTM8</b> BEADED MOLDING



## Wood Moldings

All 8' moldings available in Alder, Cherry, Maple, and Red Oak. For paint finish, Maple will be used. Not available in Rift white Oak wood or laminates. **These moldings are not available in materials to match the following door styles: Rift, Contempo, Moda, Casa, Parma, Monza, Echo and Seta.**

SKU
PR8
BNM8
PNLM8
FM8
MM8

**BOLD LINE DESIGNATES SURFACES THAT WILL BE FINISHED.**

WOOD MOLDINGS		
<p>Use as base molding or furniture base molding.</p>		<p>Use as light valance or applied molding detail on finish back panels.</p>
<p><b>PR8</b> PLATE RAIL</p>	<p><b>BNM8</b> BULL NOSE</p>	<p><b>PNLM8</b> PANEL</p>
<p><b>FM8</b> FLORENCE</p>	<p><b>MM8</b> MADISON</p>	

Wood Moldings

All 8' moldings available in Alder, Cherry, Maple, and Red Oak. For paint finish, Maple will be used. Not available in Rift white Oak wood or laminates. **These moldings are not available in materials to match the following door styles: Rift, Contempo, Moda, Casa, Parma, Monza, Echo and Seta**

SKU
CM8
LCM8
DCLM8
TR8
COVE8
NCOVE8
DCOVE8
ECM8
SHAKERS8
DSHAKERS8

**BOLD LINE DESIGNATES SURFACES THAT WILL BE FINISHED.**

WOOD MOLDINGS			
<p><b>CM8</b> CROWN MOLDING</p>	<p><b>LCM8</b> LARGE CROWN</p>	<p><b>DLCM8</b> DELUXE LARGE CROWN</p>	<p><b>TR8</b> TRANSITIONAL</p>
<p><b>COVE8</b> COVE</p>	<p><b>NCOVE8</b> NOTCHED COVE</p>	<p><b>DCOVE8</b> DELUXE COVE</p>	<p><b>ECM8*</b> EXTENDED CROWN</p>
		<p>*This Molding does not require molding mount.</p>	
<p><b>SHAKERS8</b> SHAKER</p>	<p><b>DSHAKERS8</b> DELUXE SHAKER</p>		

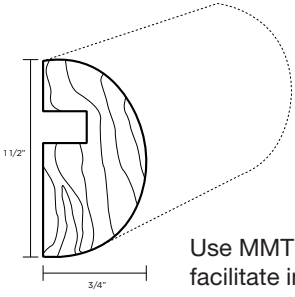
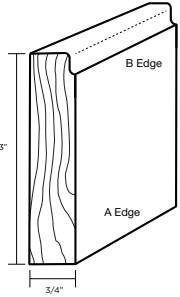
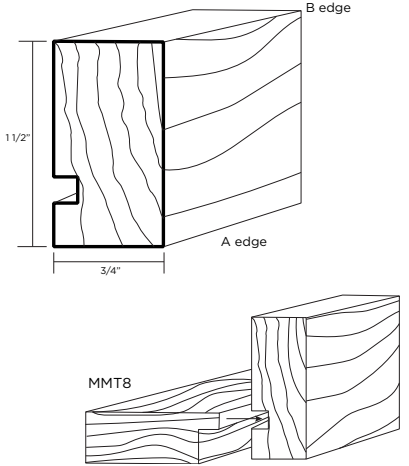
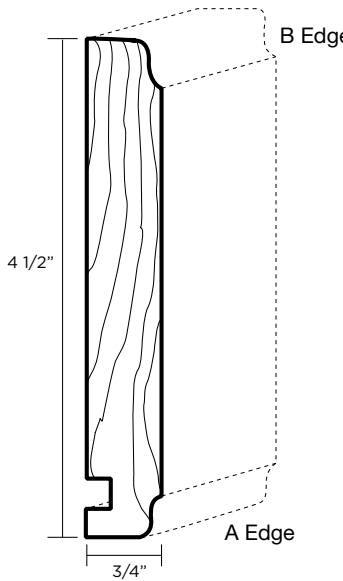
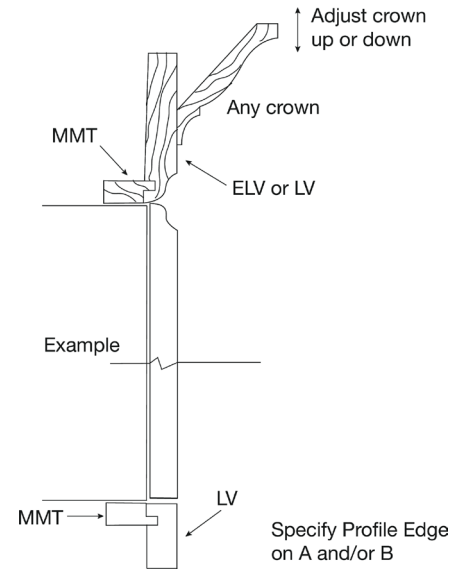
## Wood Profiled Edge Moldings

All 8' moldings available in Alder, Cherry, Maple, and Red Oak. For paint finish, Maple will be used. Not available in Rift White Oak wood or laminates. These moldings are not available in materials to match the following door styles: Rift, Contempo, Moda, Casa, Parma, Monza, Echo and Seta.

- LV, ELV, PF will automatically be machined with an edge profile matching the wood door style's edge profile (see door style pages for these details). If the profile is needed on the A edge of one of these, order the -A version. On the B edge, order -B. If you want the door edge on both long edges, order -AB.
- Use Molding Mount (MMT) combined with LV or ELV to create crown mount fascias or light valance moldings.
- Use Profiled Filler (PF) as a furniture base molding, a simple cap molding, or anywhere a solid wood piece with profiled edge is required.
- MMT will come fully finished, and is intended to be used as a mounting piece only. Attach to LV, ELV, or PF in the field.
- Should your design require a combination of edges on one piece of these moldings, order the C or custom version, and specify the edge profile needed for A and/or B on the order.

**BOLD LINE DESIGNATES SURFACES THAT WILL BE FINISHED.**

SKU
HR8
MMT8
LV-A
LV-B
LV-AB
LV-C
ELV-A
ELV-B
ELV-AB
ELV-C
PF-A
PF-B
PF-AB
PF-C

WOOD MOLDINGS		
 <p>1 1/2" 3/4" Use MMT to facilitate install.</p>	 <p>3" 3/4" B Edge A Edge</p>	
<p><b>HR8</b> HALF ROUND</p>	<p><b>PF</b> PROFILED FILLER</p>	
 <p>1 1/2" 3/4" B edge A edge MMT8</p>	 <p>4 1/2" 3/4" B Edge A Edge</p>	 <p>Adjust crown up or down Any crown MMT ELV or LV Example MMT LV Specify Profile Edge on A and/or B</p>
<p>Use MMT to facilitate install of ELV or LV material</p>	<p><b>ELV</b> EXTENDED LIGHT VALANCE</p>	<p>Specify Profile Edge on A and/or B</p>

## Wood Moldings

Latitude Wood, Laminate, and Veneer Molded Fillers in 8 foot lengths provide additional function in that they can be used as a crown molding mount or a wall cabinet light valance. See drawings below. Proper installation of these is flush to the door face.

SKU
WMFT8
VMFT8
LMFT8

**BOLD LINE DESIGNATES SURFACES THAT WILL BE FINISHED.**

WOOD MOLDINGS	
<p>ADJUST CROWN UP OR DOWN.</p> <p>MFT USED AS MOLDING MOUNT</p> <p>SIDE VIEW</p> <p>DOOR FRONT</p> <p>WALL CABINET</p> <p>MFT USED AS LIGHT VALANCE</p> <p>WALL</p>	<p>1 1/2"</p> <p>3"</p> <p>A, C, M, O only</p>
	<p><b>WMFT8</b> WOOD MOLDED FILLER</p>
	<p>1 1/2"</p> <p>3"</p> <p>Available in Urbana and Rift door styles.</p>
<p>MFT8 USED AS A MOLDING MOUNT &amp; LIGHT VALANCE</p>	<p><b>VMFT8</b> VENEER MOLDED FILLER</p>

## Laminate Molded Filler

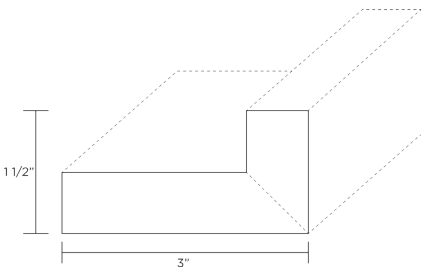
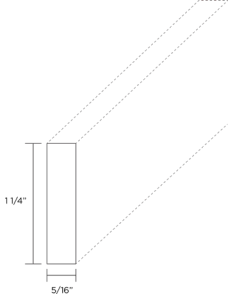
- 8 foot lengths only.
- Use as a flush to door filler (Cut to length on job site).
- Use as light valance or 'cap' molding.
- Will match door pattern and have same banding as door banding.
- Pattern will run length of LMFT8.

SKU
LMF8

## Laminate Scribe Molding

- 5/16" X 1-1/4" X 96" lengths only. Use as a scribe trim.
- Will match door pattern and have same banding as door banding on one long edge and on one 5/16" edge.
- Pattern will run length of LSM.

SKU
LSM8

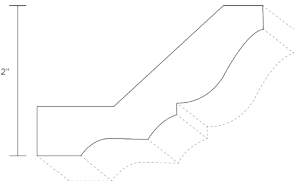
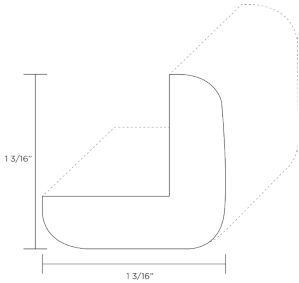
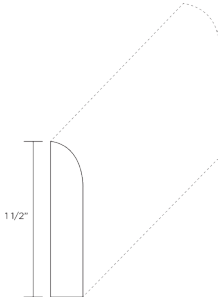
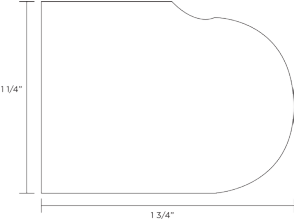

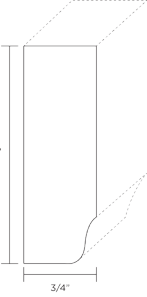
LAMINATE MOLDING	
	
<b>LMF8</b> LAMINATE MOLDED FILLER	<b>LSM8</b> LAMINATE SCRIBE MOLDING

## Foil Moldings

For use with Contempo door style.

- White Thermofoil moldings will have an MDF substrate. Edges/corners on foil moldings will be slightly rounded.

SKU
ECMF8
OCF8
SMF8
FMFT8
BNF8
LVF8
FF8

FOIL MOLDINGS		
		
<p><b>ECMF8</b> EXTENDED CROWN MOLDING FOIL</p>	<p><b>OCF8</b> OUTSIDE CORNER MOLDING FOIL</p>	<p><b>SMF8</b> SCRIBE MOLDING FOIL</p>
		
<p><b>BNF8</b> BULL NOSE MOLDING FOIL</p>	<p><b>FF8</b> FLUTED FILLER FOIL</p>	<p><b>LVF8</b> MOLDING FOIL</p>

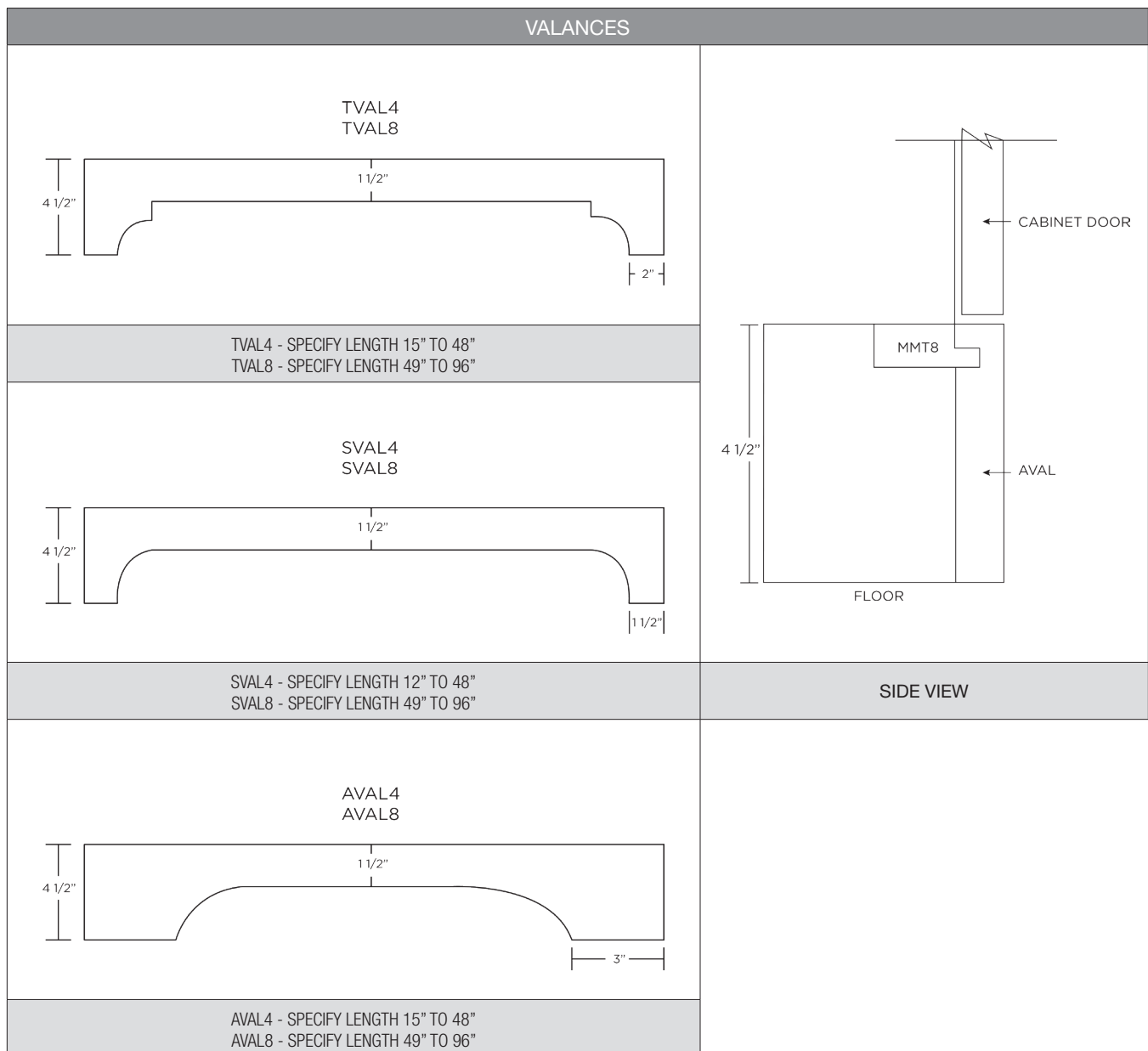
## Valances

- Valances are designed to be used between wall cabinets, at the top of open cabinets, or as a furniture style toe kick.
- All edges are eased. Specify exact length, or order long and trim in the field.
- Note that valances are made using ELV8 material, so it will have a dado on the back edge.
- This dado accepts the MMT molding mount and will facilitate install. See drawing at bottom of page.
- Available in Alder, Rustic Alder, Cherry, Maple and Red Oak only.
- For paint finish, Maple will be used.
- Not available for laminate or thermofoil doors.



Example of Floor Valance

SKU
TVAL4
TVAL8
SVAL4
SVAL8
AVAL4
AVAL8







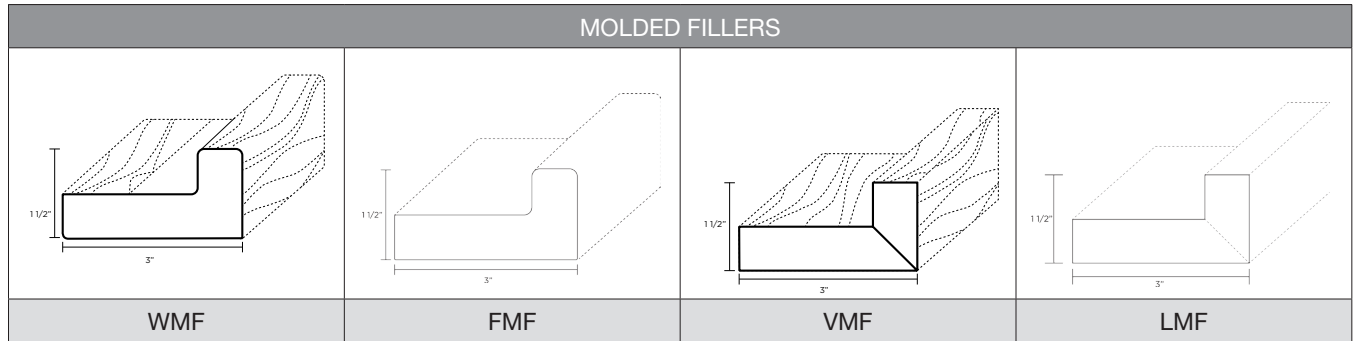
# FILLERS

## Molded Fillers | WMF, FMF, VMF, LMF

- Use molded fillers for one step flush-to-door-face filler installation.
- Manufactured to exact length. Ends will be unfinished.
- WMF= Wood veneer bonded to a one piece pine core substrate; 1/8" roundover on outside edges.
- FMF= White thermofoil bonded to a one pine core substrate; 1/8" roundover on outside edges.
- VMF= Wood veneer bonded to a particleboard substrate. This is a miter joined piece with square detail on all outside edges.
- LMF= Laminate material bonded to a particleboard substrate. This is a miter joined piece with square detail on all outside edges.

**Note:**

- Can also be used as a molding mount or light valance. See molding section of catalog. Ordered as \_MFT8.



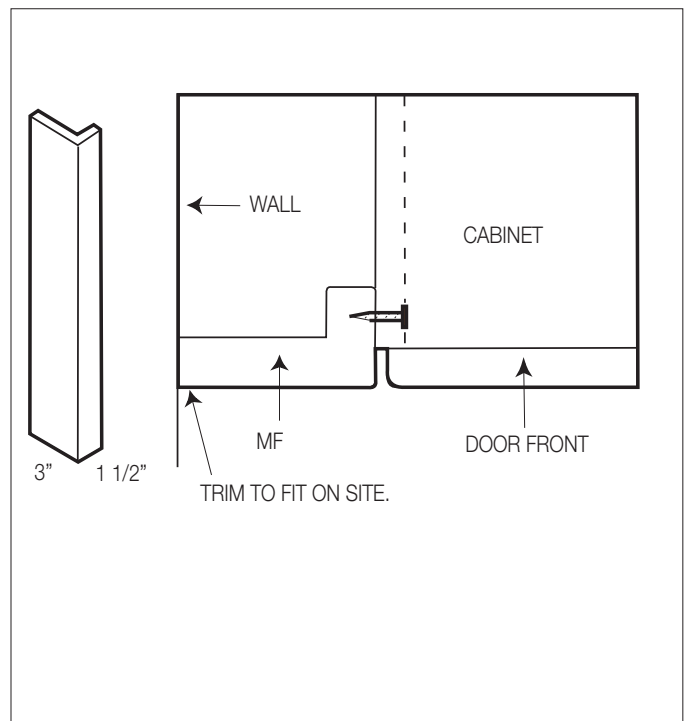
**Door Styles:** Deco, Duo, Capri, Image, Midway, States, Union, Verve, Zenith.

**Door Styles:** Contempo.

**Door Styles:** Rift, Urbana.

**Door Styles:** Moda, Casa, Monza, Parma, Echo, Seta.

WOOD	FOIL	VENEER	LAMINATE	CABINET TYPE
WMFB	FMFB	VMFB	LMFB	Base
WMFV	FMFV	VMFV	LMFV	Vanity
WMFF	FMFF	VMFF	LMFF	Desk
WMFW12	FMFW12	VMFW12	LMFW12	Wall
WMFW15	FMFW15	VMFW15	LMFW15	Wall
WMFW18	FMFW18	VMFW18	LMFW18	Wall
WMFW21	FMFW21	VMFW21	LMFW21	Wall
WMFW24	FMFW24	VMFW24	LMFW24	Wall
WMFW27	FMFW27	VMFW27	LMFW27	Wall
WMFW30	FMFW30	VMFW30	LMFW30	Wall
WMFW33	FMFW33	VMFW33	LMFW33	Wall
WMFW36	FMFW36	VMFW36	LMFW36	Wall
WMFW39	FMFW39	VMFW39	LMFW39	Wall
WMFW42	FMFW42	VMFW42	LMFW42	Wall
WMFW45	FMFW45	VMFW45	LMFW45	Wall
WMFW48	FMFW48	VMFW48	LMFW48	Wall
WMFW60	FMFW60	VMFW60	LMFW60	Wall
WMFT84	FMFT84	VMFT84	LMFT84	Tall
WMFT87	FMFT87	VMFT87	LMFT87	Tall
WMFT90	FMFT90	VMFT90	LMFT90	Tall
WMFT93	FMFT93	VMFT93	LMFT93	Tall
WMFT96	FMFT96	VMFT96	LMFT96	Tall



# FILLERS

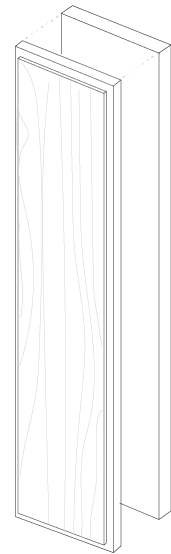
## Door Face Fillers | DFF3, DFF6

3", 6" Width

- Door face filler will match door material, including matching edge profile on all 4 edges (in the case of mitered doors, edge profile will be an eased edge). With laminates, the edges will match door edge banding material and color.
- Profiled filler piece will be sized 1/8" less in width and 1/4" less in height than the backer filler piece to maintain cabinet width and height reveals.
- The face filler is finished on face, all 4 edges, and back.
- The backer filler is included and is also finished on face, 4 edges, and back.
- Installs between cabinet and wall, or another cabinet; flush with door face.
- May require trimming on one edge.
- Specify height for wall and tall cabinets.

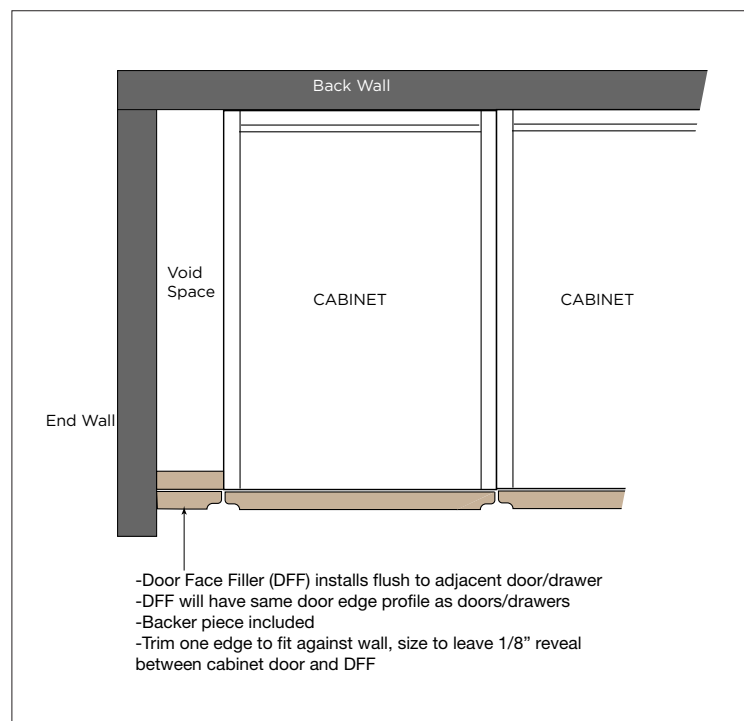
**Note:**

- The max height for the door face component of DFF's in Moda and Rift door styles is 48". Therefore, door face fillers 48" and taller will ship with two face pieces and one full length backer.



3" WIDTH	6" WIDTH	CABINET TYPE
DFF3B	DFF6B	Base
DFF3V	DFF6V	Vanity
DFF3F	DFF6F	Desk
DFF3W12	DFF6W12	Wall
DFF3W15	DFF6W15	Wall
DFF3W18	DFF6W18	Wall
DFF3W21	DFF6W21	Wall
DFF3W24	DFF6W24	Wall
DFF3W27	DFF6W27	Wall
DFF3W30	DFF6W30	Wall
DFF3W33	DFF6W33	Wall
DFF3W36	DFF6W36	Wall
DFF3W39	DFF6W39	Wall
DFF3W42	DFF6W42	Wall
DFF3W45	DFF6W45	Wall
DFF3W48	DFF6W48	Wall
DFF3W51	DFF6W51	Wall
DFF3W54	DFF6W54	Wall
DFF3W57	DFF6W57	Wall
DFF3W60	DFF6W60	Wall
DFF3W66	DFF6W66	Wall
DFF3T84	DFF6T84	Tall
DFF3T87	DFF6T87	Tall
DFF3T90	DFF6T90	Tall
DFF3T93	DFF6T93	Tall
DFF3T96	DFF6T96	Tall

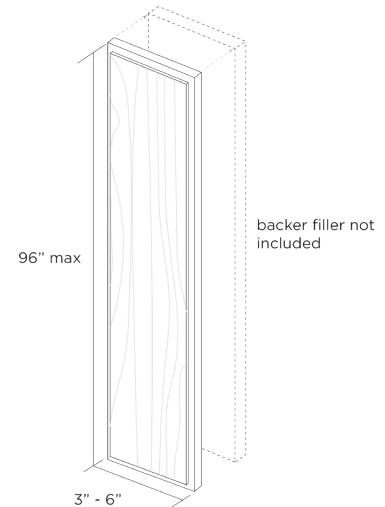
Top View



# FILLERS

## Filler Plant On Custom | FPOC

- Use FPOC to order just the plant on piece when specific dimensions are required.
- Does not include the backer piece, must order separately if needed.
- FPOC will have door edge profile on all 4 edges.
- It is finished on face, all 4 edges, and back.
- Max width of 6" and max height of 96". Minimum width of 3".
- Priced by the square foot. Will be slab style.



SKU
FPOC

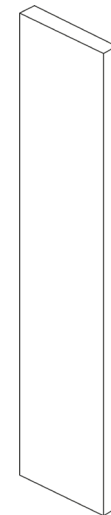
## Standard Fillers | F3, F6

### 3", 6" Width

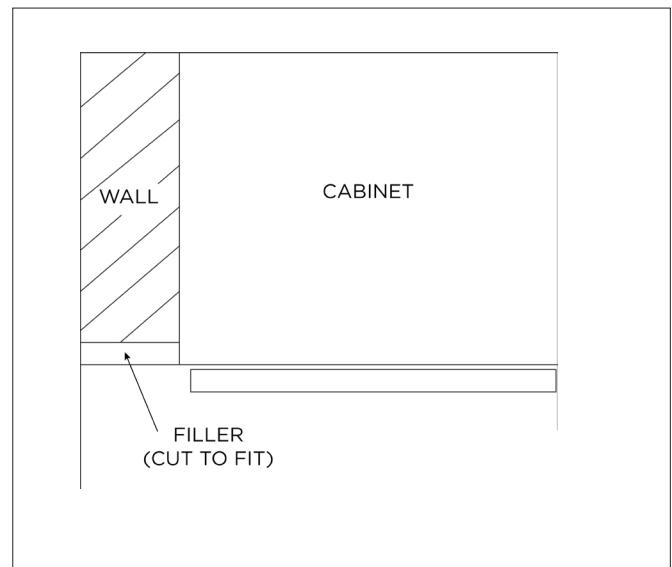
- 3/4" thick material will match door material and color.
- Stained wood and Paint finish fillers are finished on face, all 4 edges; but not on the back.
- Installs between cabinet and wall, or another cabinet.
- Installs flush with case edge.
- Trim to fit on job site.
- NOTE: 3" wide wood fillers are solid wood finished on face and 4 edges.
- 6" wide wood fillers are wood veneer finished on face and 4 edges.
- Laminate fillers (3" or 6") are matching laminate on particleboard core.
- Laminate fillers are finished on face and 4 edges.

#### Note:

- Fillers for tall cabinet heights 84" - 96" will ship as a full 96" length, cut to length on job site.
- 120" tall filler available in 3" width in Alder, Cherry, Maple, and Red Oak ONLY.



3" WIDTH	6" WIDTH	CABINET TYPE
F3B	F6B	Base
F3V	F6V	Vanity
F3F	F6F	Desk
F3W30	F6W30	Wall
F3W33	F6W33	Wall
F3W36	F6W36	Wall
F3W39	F6W39	Wall
F3W42	F6W42	Wall
F3W45	F6W45	Wall
F3W48	F6W48	Wall
F3W60	F6W60	Wall
F3T96	F6T96	Tall
F3T120		

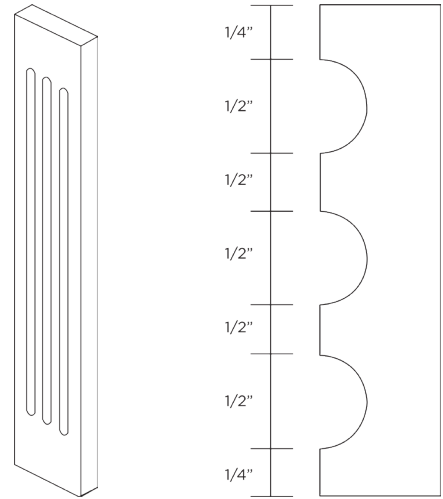


## Fluted Fillers | FF3

- Decorative filler with 1/2" wide flute details routed into face  
3 flutes on 3" fillers.
- Available in wood only.
- Installs flush with case edge.
- Specify height for wall and tall cabinets.
- Flutes stop at 3 1/2" from each end of filler board.

**Note:**

- Fluted filler height will equal actual box height, and not include height of toe kick on base or tall type cabinets.

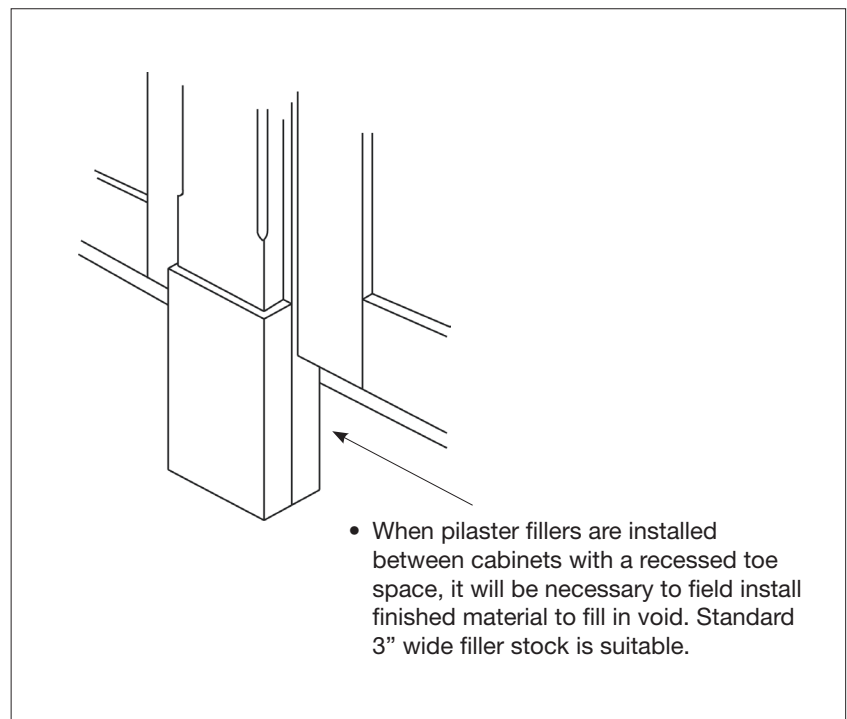
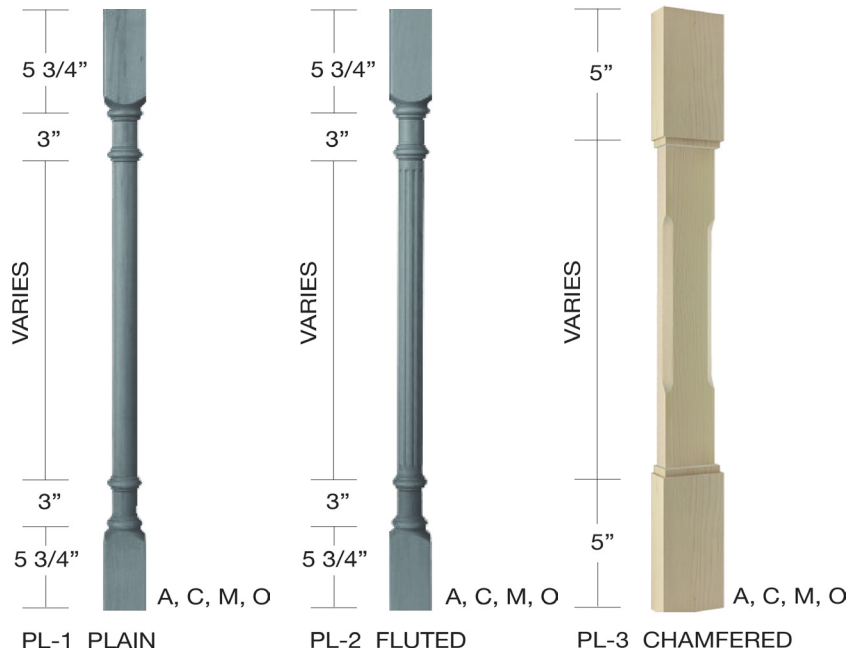


SKU	CABINET TYPE
FF3B	Base
FF3V	Vanity
FF3F	Desk
FF3W30	Wall
FF3W33	Wall
FF3W36	Wall
FF3W42	Wall
FF3W45	Wall
FF3W48	Wall
FF3W60	Wall
FF3T84	Tall
FF3T90	Tall
FF3T96	Tall

## Split Pilaster Fillers | SPF3

- Split Pilaster fillers are half round pilasters factory mounted to a 3" filler.
- Utilize these for low cost design features when a full filler box is not required.
- File, Vanity, Base, and Tall heights are designed to install to the floor, and will therefore include the additional 4 1/2" toe kick height, a fill in piece of trim will be needed; see drawing below.
- Finished to match rest of order.
- Specify PL-1, PL-2, or PL-3.
  - A = Alder
  - C = Cherry
  - M = Maple
  - O = Red Oak
- For paint finish, Maple will be used
- Not available in Rift White Oak

SKU	CABINET TYPE
SPF3-F-PL_	Desk
SPF3-B-PL_	Base
SPF3-V-PL_	Vanity
SPF3-W30-PL_	Wall
SPF3-W33-PL_	Wall
SPF3-W36-PL_	Wall
SPF3-W39-PL_	Wall
SPF3-W42-PL_	Wall
SPF3-T84-PL_	Tall
SPF3-T87-PL_	Tall
SPF3-T90-PL_	Tall
SPF3-T93-PL_	Tall
SPF3-T96-PL_	Tall



# FILLERS

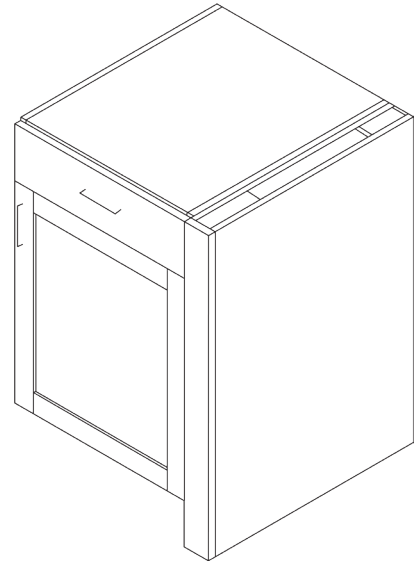
## Box Fillers Plain | 3BX, 6BX

### 3", 6" Width

- ALL FILLER BOXES are finished on face and both sides.
- Base Peninsula finished on all 4 surfaces and is 36" deep. Apply depth decrease mod if less than 36" needed.
- Fillerbox is flush to door.

**Note:**

- For laminate material door styles, use the veneer filler box.

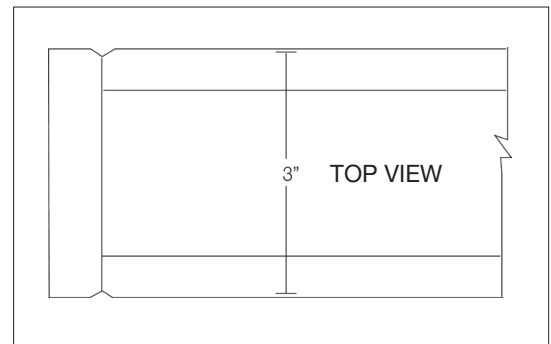


3" WIDTH	CABINET TYPE	DEPTH X HEIGHT
3BX-BM	Base Mini	6" X 34 1/2"
3BX-B	Base	25" X 34 1/2"
3BX-V	Vanity	22" X 32"
3BX-F	Desk	25" X 28 1/2"
3BX-BP	Base Pen	36" X 34 1/2"
3BX-W30	Wall	13" X 30"
3BX-W33	Wall	13" X 33"
3BX-W36	Wall	13" X 36"
3BX-W39	Wall	13" X 39"
3BX-W42	Wall	13" X 42"
3BX-W45	Wall	13" X 45"
3BX-W48	Wall	13" X 48"
3BX-T1384	Tall	13" X 84"
3BX-T1387	Tall	13" X 87"
3BX-T1390	Tall	13" X 90"
3BX-T1393	Tall	13" x 93"
3BX-T1396	Tall	13" X 96"
3BX-T2584	Tall	25" X 84"
3BX-T2587	Tall	25" X 87"
3BX-T2590	Tall	25" X 90"
3BX-T2593	Tall	25" x 93"
3BX-T2596	Tall	25" X 96"

6" WIDTH	CABINET TYPE	DEPTH X HEIGHT
6BX-B	Base	25 x 34 1/2"
6BX-BP	Base Pen	36 x 34 1/2"

MINIMUM SIZE	
Minimum Depth	6"
Minimum Width	2"
Minimum Height	12"

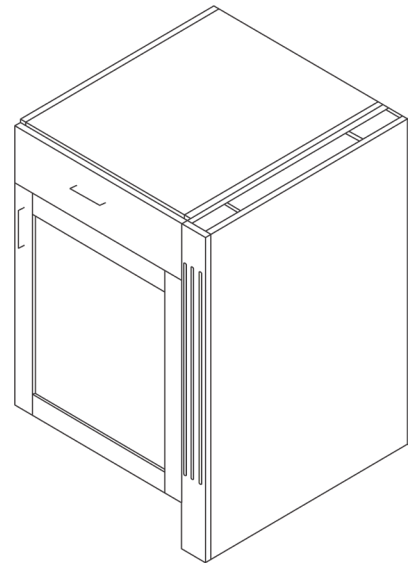
- Wood filler boxes - face 3" wide piece is solid wood; sides are veneered panels. There is a small 1/8" wide V-groove detail where the solid fascia board joins to the veneer side panel. See above:



## Box Fillers With Fluting | 3BXFF

### 3" Width

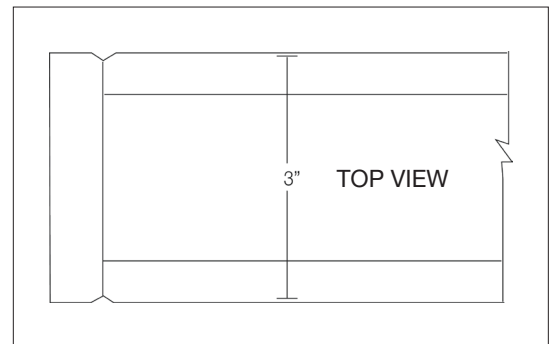
- ALL FILLER BOXES are finished on face and both sides.
- Base Peninsula finished on all 4 surfaces and is 36" deep. Apply depth decrease mod if less than 36" needed.
- Fluted face has same detail as Fluted Fillers.
- Available in Red Oak, Maple, Cherry and Alder.
- Flutes stop 8" off the floor on B, BP, V, F, T Filler Boxes.
- Filler box can be either 3" or 6".
- Filler box will be flush to door.



3" WIDTH	CABINET TYPE	DEPTH X HEIGHT
3BX-BM-FF	Base Mini	6" X 34 1/2"
3BX-B-FF	Base	25" X 34 1/2"
3BX-V-FF	Vanity	22" X 32"
3BX-F-FF	Desk	25" X 28 1/2"
3BX-BP-FF	Base Pen	36" X 34 1/2"
3BX-W30-FF	Wall	13" X 30"
3BX-W33-FF	Wall	13" X 33"
3BX-W36-FF	Wall	13" X 36"
3BX-W39-FF	Wall	13" X 39"
3BX-W42-FF	Wall	13" X 42"
3BX-W45-FF	Wall	13" X 45"
3BX-W48-FF	Wall	13" X 48"
3BX-T1384-FF	Tall	13" X 84"
3BX-T1387-FF	Tall	13" X 87"
3BX-T1390-FF	Tall	13" X 90"
3BX-T1393-FF	Tall	13" x 93"
3BX-T1396-FF	Tall	13" X 96"
3BX-T2584-FF	Tall	25" X 84"
3BX-T2587-FF	Tall	25" X 87"
3BX-T2590-FF	Tall	25" X 90"
3BX-T2593-FF	Tall	25" x 93"
3BX-T2596-FF	Tall	25" X 96"

MINIMUM SIZE	
Minimum Depth	6"
Minimum Width	2"
Minimum Height	12"

- 1/16" v-groove where the solid fascia board joins to the solid wood face.



## Box Filler Veneer Face | 3VBX

### 3" Width

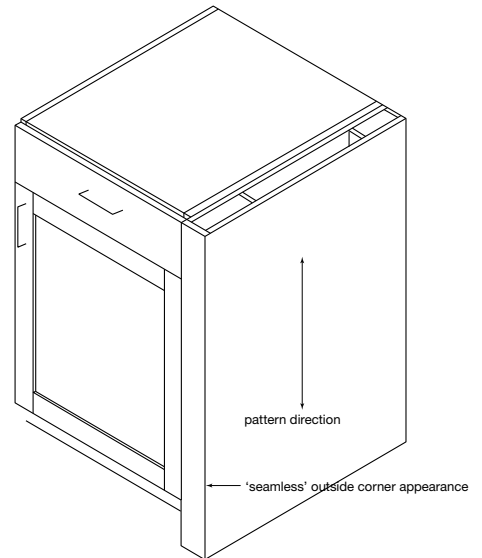
- Recommended for use with wood veneer and laminate door styles.
- Finished on face and both sides.
- 3" wide piece will have vertical pattern direction. The side panels will have vertical pattern direction as well.
- Note that a dark line will show around the face perimeter with light colored melamine or laminated materials. This is the core material of the laminate.
- Base Peninsula depth is 36" and finished both ends. Apply depth decrease mod if less than 36" is needed.

**Note:**

- For Moda and Rift door styles, the pattern direction on the face and sides of this filler box will be VERTICAL.

3" WIDTH	CABINET TYPE	DEPTH X HEIGHT
3VBX-BM	Base Mini	6" X 34 1/2"
3VBX-B	Base	25" X 34 1/2"
3VBX-V	Vanity	22" X 32"
3VBX-F	Desk	25" X 28 1/2"
3VBX-BP	Base Pen	36" X 34 1/2"
3VBX-W30	Wall	13" X 30"
3VBX-W33	Wall	13" X 33"
3VBX-W36	Wall	13" X 36"
3VBX-W39	Wall	13" X 39"
3VBX-W42	Wall	13" X 42"
3VBX-W45	Wall	13" X 45"
3VBX-W48	Wall	13" X 48"
3VBX-T1384	Tall	13" X 84"
3VBX-T1387	Tall	13" X 87"
3VBX-T1390	Tall	13" X 90"
3VBX-T1393	Tall	13" x 93"
3VBX-T1396	Tall	13" X 96"
3VBX-T2584	Tall	25" X 84"
3VBX-T2587	Tall	25" X 87"
3VBX-T2590	Tall	25" X 90"
3VBX-T2593	Tall	25" x 93"
3VBX-T2596	Tall	25" X 96"

MINIMUM SIZE	
Minimum Depth	6"
Minimum Width	2"
Minimum Height	12"



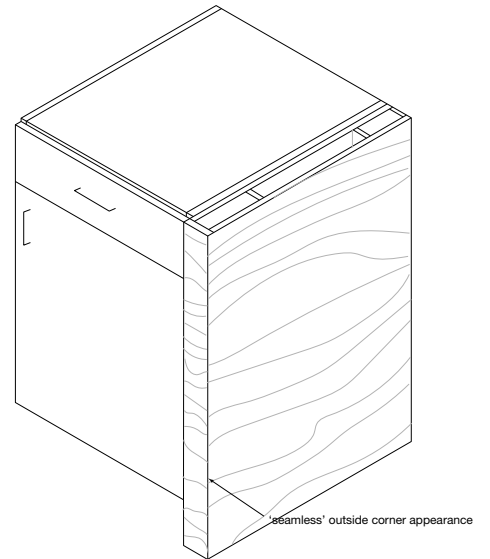


## Horizontal Pattern - Base Box Filler Veneer | HZ2VBX, HZ3VBX 2", 3" Width

- Base Height ONLY.
- **HORIZONTAL** grain direction on 2" or 3" face as well as both finished side panels.
- Recommended for use with horizontal wood veneer & laminate doors: Moda and Rift.
- Note that a dark line will show around the face perimeter with light colored laminated materials. This is the core material of the laminate.
- Base Peninsula depth is 36" and finished both ends. Apply depth decrease mod if less than 36" needed.

MINIMUM SIZE	
Minimum Depth	6"
Minimum Width	2"
Minimum Height	12"

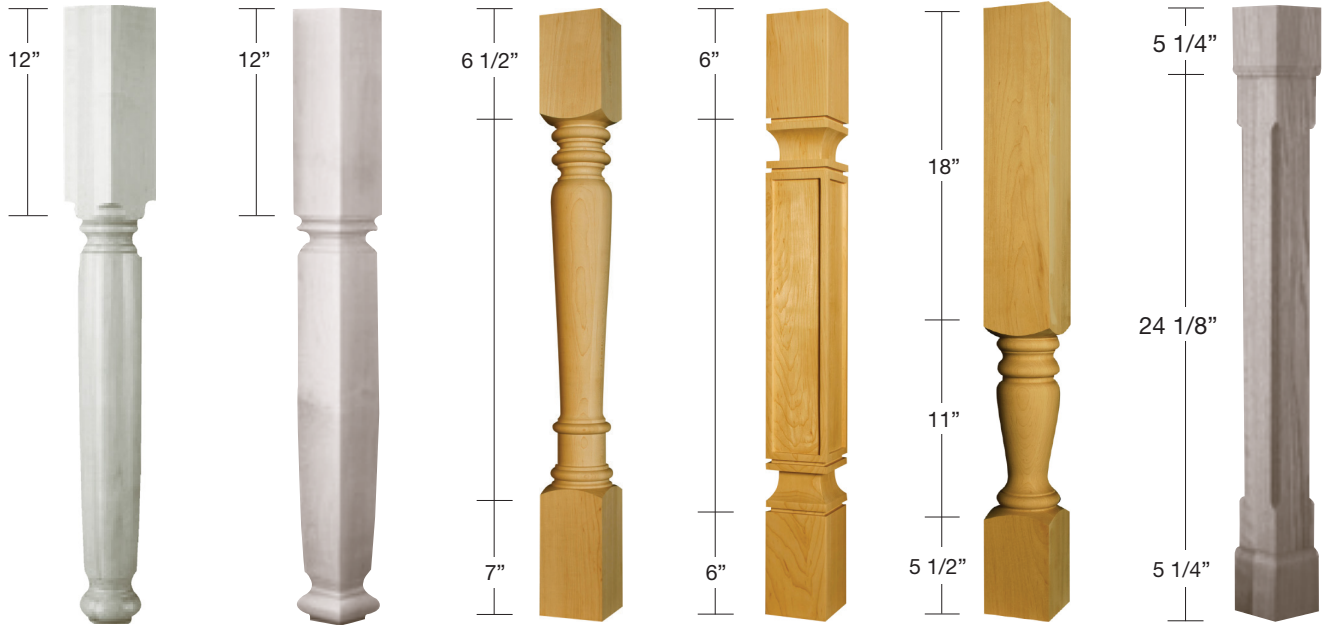
2" WIDTH	3" WIDTH	CABINET TYPE	DEPTH X HEIGHT
HZ2VBX-B	HZ3VBX-B	Base	25" X 34 1/2"
HZ2VBX-BP	HZ3VBX-BP	Base Pen	36" X 34 1/2"





Turned Posts | TP, TPS

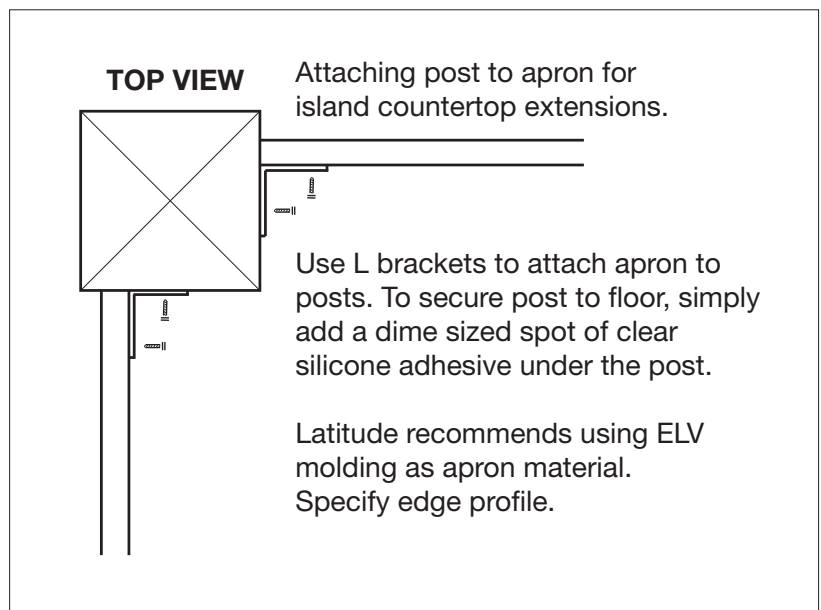
- Alder, Cherry, Maple, and Red Oak
- For paint finish, Maple will be used.



ESTATE PLAIN	ESTATE SQUARE	ISLANDER	SQUARE MISSION	PLANTATION BUFFET	METRO
TP-EP	TP-ES	TP-I	TP-SM	TP-PB	TP-M
TPS-EP	TPS-ES	TPS-I	TPS-SM		TPS-M
TP-EP42	TP-ES42	TP-I42	TP-SM42		TP-M42

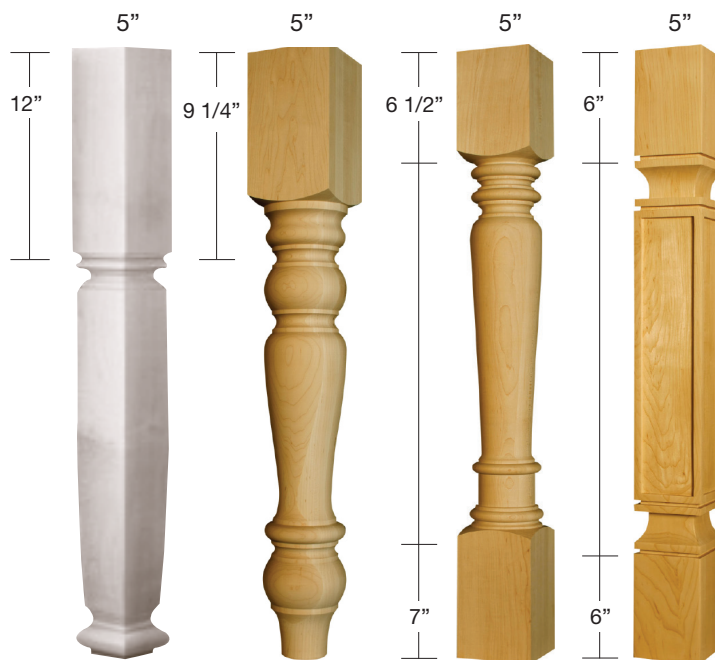
TPS designates Split or Half-Round post. Use to attach to a filler or filler box.

SKU	WIDTH X DEPTH X HEIGHT
TP-EP	3 3/4" X 3 3/4" X 35 1/4"
TPS-EP	3 3/4" X 1 7/8" X 35 1/4"
TP-EP42	3 3/4" X 3 3/4" X 42 1/4"
TP-ES	3 3/4" X 3 3/4" X 35 1/4"
TPS-ES	3 3/4" X 1 7/8" X 35 1/4"
TP-ES42	3 3/4" X 3 3/4" X 42 1/4"
TP-I	3 1/2" X 3 1/2" X 35 1/2"
TPS-I	3 1/2" X 1 3/4" X 35 1/2"
TP-I42	3 1/2" X 3 1/2" X 40 1/2"
TP-SM	3" X 3" X 34 1/2"
TPS-SM	3" X 1 1/2" X 34 1/2"
TP-SM42	3" X 3" X 42 1/4"
TP-PB	4" X 4" X 34 1/2"
TP-M	3" X 3" X 34 5/8"
TPS-M	3" X 1-1/2" X 34 5/8"
TP-M42	3 3/4" X 3 3/4" X 40 5/8"



### Turned Posts 5" | TP-5

- Alder, Cherry, Maple, and Red Oak
- For paint finish, Maple will be used.



SKU	WIDTH X DEPTH X HEIGHT
TP-5ES	5" X 5" X 35 1/4"
TP-5W	5" X 5" X 34 1/2"
TP-5I	5" X 5" X 35 1/2"
TP-5SM	5" X 5" X 34 1/2"

ESTATE SQUARE	WILMINGTON	ISLANDER	SQUARE MISSION
TP-5ES	TP-5W	TP-5I	TP-5SM

### Century Posts 3" | TP-3C

- Alder, Cherry, Maple, and Red Oak
  - For paint finish, Maple will be used.
  - 3" High Metal Cap slips onto post. Brushed aluminum; flat back, and Chrome. Available in the following finishes:
    - o FB = Flat Black
    - o BA = Brushed Aluminum
    - o CH = Chrome
- Order Example: TP-3C-BA = 3" post with Brushed Aluminum foot.



SKU	WIDTH X DEPTH X HEIGHT
TP-3C	3" X 3" X 35 1/4"
TP-3C42	3" X 3" X 42 1/4"

CENTURY 3"
TP-3C
TP-3C42

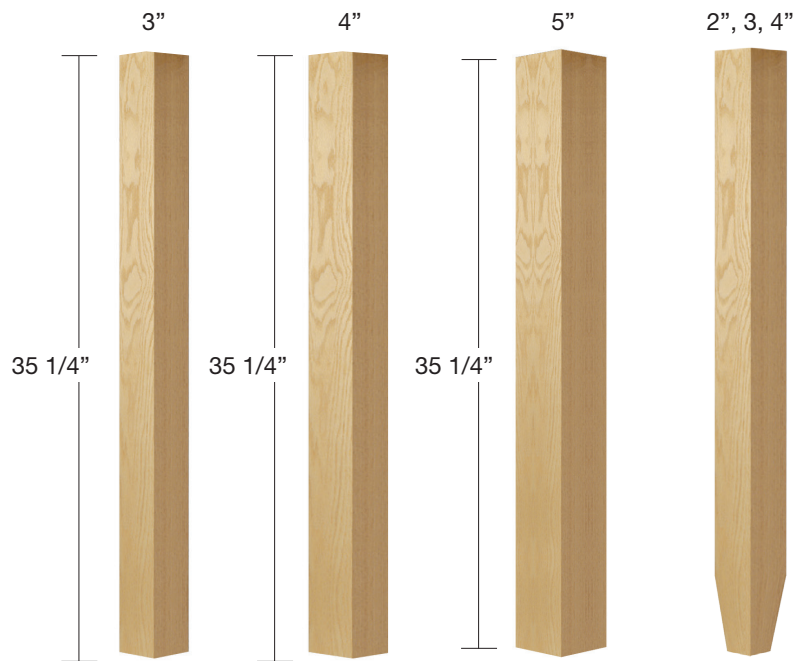
## Square & Tapered Posts | TP-2, TP-3, TP-4, TP-5

2", 3", 4", 5"

- Alder, Cherry, Maple, and Red Oak
- For paint finish, Maple will be used.

SQUARE	
SKU	WIDTH X DEPTH X HEIGHT
TP-3S	3" X 3" X 35 1/4"
TP-3S42	3" X 3" X 42 1/4"
TP-4S	4" X 4" X 35 1/4"
TP-4S42	4" X 4" X 42 1/4"
TP-5S	5" X 5" X 35 1/4"
TP-5S42	5" X 5" X 42 1/4"

TAPERED	
SKU	WIDTH X DEPTH X HEIGHT
TP-2T	2" X 2" X 35 1/4"
TP-3T	3" X 3" X 35 1/4"
TP-4T	4" X 4" X 35 1/4"
TP-4T42	4" X 4" X 42 1/4"



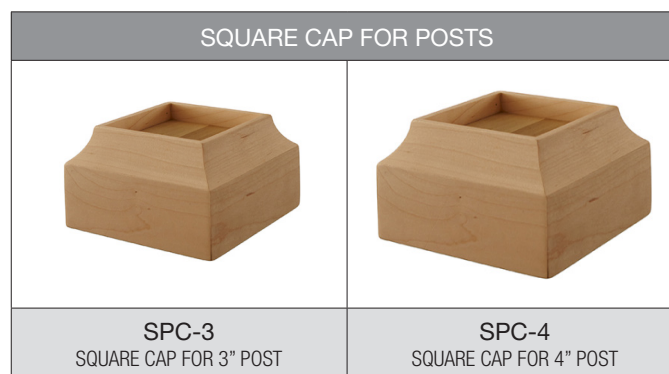
SQUARE	SQUARE	SQUARE	TAPERED
TP-3S	TP-4S	TP-5S	TP-2T
TP-3S42	TP-4S42	TP-5S42	TP-3T
			TP-4T
			TP-4T42

## Square Caps For Posts | SPC-3, SPC-4

3", 4"

- Alder, Cherry, Maple, and Red Oak
- For paint finish, Maple will be used.
- Field install these caps on top and/or bottom of 3" or 4" square posts to add design detail.

SQUARE CAPS	
SKU	WIDTH X DEPTH X HEIGHT
SPC-3	4 5/8" X 4 5/8" X 2 1/2"
SPC-4	5 5/8" X 5 5/8" X 2 1/2"



## Notched Square, Tapered & Danish Modern Posts

- Alder, Cherry, Maple, and Red Oak
- For paint finish, Maple will be used.

See next page for details on how to:  
**Create A Furniture Style Vanity**

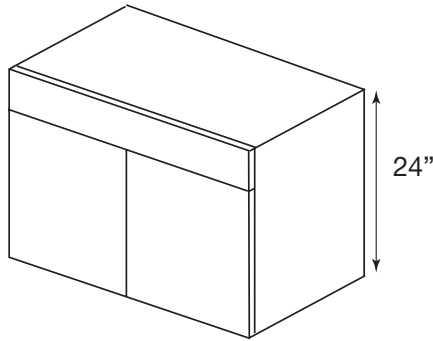
NOTCHED SQUARE	
SKU	WIDTH X DEPTH X HEIGHT
NP-2S	2" X 2" X 35 1/2"

NOTCHED TAPERED	
SKU	WIDTH X DEPTH X HEIGHT
NP-2T	2" X 2" X 35 1/2"

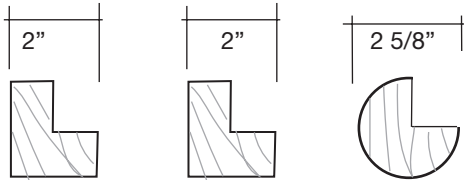
DANISH MODERN	
SKU	WIDTH X DEPTH X HEIGHT
NP-3DM	2 5/8" X 34 1/2"

### Create A Furniture Style Vanity

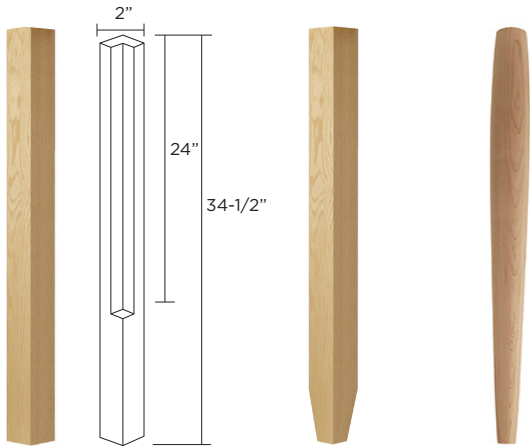
1. Select a wall hung vanity configuration



2. Select one of three notched wood post styles

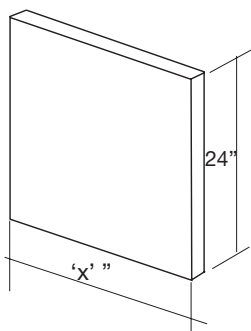


Each post has a 1" x 1" notch at 24" long.



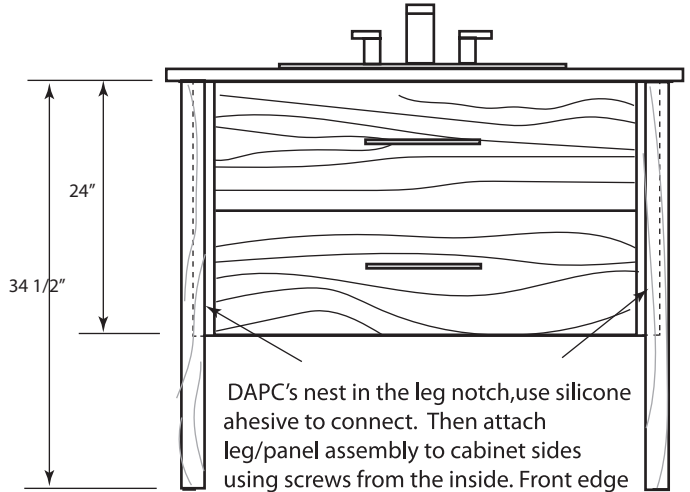
SQUARE	TAPERED	DANISH MODERN
NP-2S	NP-2T	NP-3DM

3. Add 2-DAPC's @ 'x' by 24"



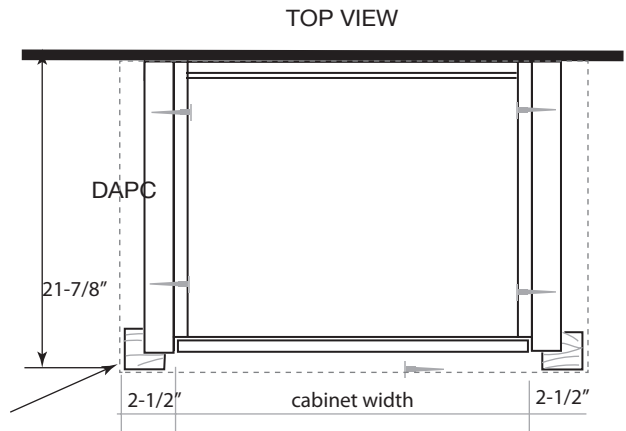
Determine dimension 'x' in Step 4.

- How to show in 2020:
- Place wall hung vanity in drawing.
- Size and place a DAPC on each end of vanity, set at 10-1/2" off floor.
- Select a notched leg style and move into position.



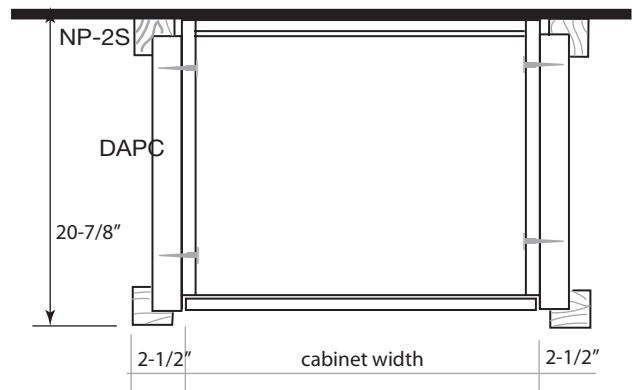
DAPC's nest in the leg notch, use silicone adhesive to connect. Then attach leg/panel assembly to cabinet sides using screws from the inside. Front edge of DAPC is to be flush to cabinet door/drawer face. Height of DAPC is order same height as the wall hung vanity 24" high. See below to determine DAPC depth.

4A. Two legs only; back of cabinet fastened to wall. DAPC dimension 'x' would be 21-7/8" .



Dotted line represents countertop. Size top 1/2" wider than overall width and 1/4"-1/2" deeper than overall depth.

4B. Four legs and back of cabinet flush to wall. DAPC dimension 'x' would be 20-7/8" with Square posts, and 20-1/4" with Danish Modern post.



## Wood & Metal Feet | WF, MF



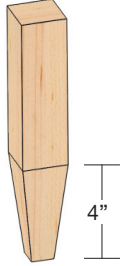
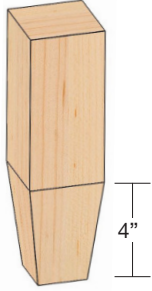






- Alder, Cherry, Maple, and Red Oak
- For paint finish, Maple will be used.

WOOD FEET	
SKU	WIDTH X DEPTH X HEIGHT
WF-3C-BA	3" X 3" X 10"
WF-3C-CH	3" X 3" X 10"
WF-3C-FB	3" X 3" X 10"
WF-S	2 1/2" x 6" x 2 1/2"
WF-2T	2" X 2" X 10"
WF-3T	3" X 3" X 10"
WF-LS	4" X 4" X 4 1/2"
WF-B	3 1/2" x 4 1/2"
WF-TB	3 1/2" X 3 1/2" x 4 1/2"
WF-SM	Top 3 1/2", Bottom 2 1/2" X 4 1/2"

METAL FEET	
SKU	WIDTH X DEPTH X HEIGHT
MF-6-SN	4" X 4" X 6"
MF-6-WI	4" X 4" X 6"
MF-6-RS	4" X 4" X 6"
MF-6-G	4" X 4" X 6"
MF-9-SN	4" X 4" X 9"
MF-9-WI	4" X 4" X 9"
MF-9-RS	4" X 4" X 9"
MF-9-G	4" X 4" X 9"

\*WF-3C = 3" High Metal Cap slips onto foot. Brushed aluminum; flat back. Available in the following finishes:

- o FB = Flat Black
- o BA = Brushed Aluminum
- o CH = Chrome

WOOD & METAL FEET			
			
*WF-3C CENTURY WOOD FOOT	WF-S STRATFORD	WF-2T TAPERED WOOD FOOT	WF-3T TAPERED WOOD FOOT
			
WF-LS SQUARE LILLIE	WF-B BUN	WF-TB TAPERED BUN	WF-SM SQUARE MISSION
		**MF-6 and MF-9 available in the following finishes: o Satin Nickel o Wrought Iron o Raw Steel o Gold	
**MF-6-G METAL FOOT	**MF-9-SN METAL FOOT		

## Wood Corbels | DCOR

- Alder, Cherry, Maple, and Red Oak
- For paint finish, Maple will be used.

SKU	WIDTH X DEPTH X HEIGHT
DCOR-SCR	2 3/4" x 6" x 10"
DCOR-MCR	3 1/2" x 8" x 12"
DCOR-AM	3 1/2" X 8" X 12 1/4"
DCOR-CM	3" X 2 3/4" X 6"
DCOR-OC	2 3/4" x 6" x 10"
DCOR-SAP	3" x 4" x 6 3/4"
DCOR-MAP	4" x 5 1/2" x 8 3/4"
DCOR-LAP	6" x 8" x 14"
DCOR-TOC	3.5" X 7 "X 14"
DCOR-SML	2" X 2 3/4" X 4"
DCOR-MML	2 1/2" X 6" X 8"
DCOR-LML	4" X 9 1/2" X 14"

WOOD CORBELS			
			
DCOR-SCR SMALL CRAFTSMAN	DCOR-MCR MEDIUM CRAFTSMAN	DCOR-AM ATHENS MISSION	DCOR-CM CAPRI MISSION
			
DCOR-OC OPEN CRAFTSMAN	DCOR-SAP SMALL APEX	DCOR-MAP MEDIUM APEX	DCOR-LAP LARGE APEX
			
DCOR-TOC TRADITIONAL OPEN	DCOR-SML SMALL MADELINE	DCOR-MML MEDIUM MADELINE	DCOR-LML LARGE MADELINE



## Wood Corbels (Continued) | DCOR, COR, BNW

- Alder, Cherry, Maple, and Red Oak
- For paint finish, Maple will be used.

SKU	WIDTH X DEPTH X HEIGHT
DCOR-SRV	1-1/4" X 5" X 5"
DCOR-MRV	3-3/4" X 9" X 9"
DCOR-LRV	3-3/4" X 9" X 14"
DCOR-COR	2" x 9 1/2" x 9 1/2"
DCOR-BNW	2" x 9 1/2" x 9 1/2"





WOOD CORBELS		
		
DCOR-SRV SMALL REVIVAL	DCOR-MRV MEDIUM REVIVAL	DCOR-LRV LARGE REVIVAL
		
COR CORBEL	BNW BAR KNEE	

## Filler Onlays | DFO, DDM

- Use this molding for added architectural detail; field applied.
- **DFO = Alder, Cherry, Maple, and Red Oak**
  - For paint finish, Maple will be used.
- **DDM = Cherry, Maple**
  - This molding is only available in Cherry and Maple only.
  - Cherry will be used as a substitute for Alder.
  - For paint finish, Maple will be used.

SKU	WIDTH X DEPTH X HEIGHT
DFO-MT	2 7/8" x 2 7/8" x 7/16"
DFO-PT	2" x 2" x 3/8"


SKU	HEIGHT X LENGTH X THICKNESS
DDM-1	5/8" x 96" x 7/16"
DDM-2	1 1/2" x 96" x 11/32"
DDM-3	3/4" x 96" x 3/16"
DDM-4	1/2" x 96" x 1/4"

WOOD FILLER ONLAYS		
		
DFO-MT MISSION TILE	DFO-PT PYRAMID ONLAY	DDM-1 EGG & DART
		
DDM-2 DENTIL	DDM-3 EMBOSSSED	DDM-4 BEADED

## Hardwood Outlet Covers | OC

- Outlet covers are available in Alder, Cherry, Maple and Red Oak ONLY.  
Will be finished to match job.
- Screws are not included.

SKU	SKU
OC-1	OC-4
OC-2	OC-5
OC-3	OC-6

HARDWOOD OUTLET COVERS		
		
OC-1 SINGLE DUPLEX	OC-2 DOUBLE DUPLEX	OC-3 SINGLE SWITCH
<b>DOUBLE SWITCH NOT SHOWN</b>		
OC-4 DOUBLE SWITCH	OC-5 DOUBLE DECORA	OC-6 SINGLE DECORA

## Installed Sink Liner | ISL

- Protective line made from durable polystyrene.
- Dimpled pattern can hold approx. a gallon of water in 6 square feet (BS36).
- Factory cut-to-fit and set in place; removable for cleaning.
- Also available in loose sheets for field cutting and installing for other applications.

SKU
ISL



## Wood Cutlery Divider Insert | WCDI

- Maple hardwood cutlery tray.
- Removable for cleaning.
- Factory installed.

SKU
WCDI12
WCDI15
WCDI18
WCDI21
WCDI24



## Wood Double-Tiered Cutlery Insert | WDTC

- Ultimate cutlery storage organizer.
- Two hardwood cutlery trays stacked for full use of drawer space.
- Access top tray by opening full extension drawer; then access bottom tray by sliding it completely back into the drawer opening.
- Not available with Satino Drawer system.

SKU
WDTC15
WDTC18



## Wood Utensil Divider Insert | WUDI

- Maple hardwood utensil organizer tray.
- Removable for cleaning.
- Factory installed.

SKU
WUDI15
WUDI18
WUDI21
WUDI24



## Wood Knife Block Insert | WKB

- Maple hardwood insert constructed with knife slots.
- Removable for cleaning.
- Includes additional compartment for utensil storage.
- Factory installed.
  - o WKB15 – holds 12 knives.
  - o WKB18 – holds 15 knives.
  - o WKB21 – holds 18 knives.

SKU
WKB15
WKB18
WKB21



## Wood Spice Drawer Insert | WSDI

- Maple tray with angled 'shelves' for organized spice storage.
- Removable for cleaning.
- Factory installed.

SKU
WSDI12
WSDI15
WSDI18
WSDI21
WSDI24



## Tilt Out Bread Board | TOBB

- 3/4" solid Alder bread board behind a tilt-out drawer front.
- Shallow wood drawer below bread board for knife storage.
- Bread board on 'friction' glides. Can be used in place or removed completely.

**Note:**

- This shallow drawer will not accept a cutlery drawer insert. Satino orders will receive wood shallow drawer.

SKU
TOBB12
TOBB15
TOBB18
TOBB21
TOBB24
TOBB27
TOBB30



## Tilt Out Maple Block | TOMB

- 1 1/2" thick solid Maple chop block behind a tilt out drawer front.
- Chop block on a full extension locking guides.
- 100 lb load capacity.
- Designed to use in place; removable for cleaning or resurfacing.
- Specify by cabinet width.

SKU
TOMB15
TOMB18
TOMB21
TOMB24
TOMB27
TOMB30
TOMB33
TOMB36



## Wood Tray Divider | WTD

- 1/2" thick plywood panel; full height of cabinet space.
- Divider installed in metal 'C' channel.
- Divider is removable.
- Specify quantity per cabinet.
- Trays will be placed with equal spacing only.

SKU
WTD



## Chrome Tray Divider | CTD

- Chrome wire divider mounts with 'snap-in' clips.
- Specify quantity.
- Tray divider actual heights: 12" and 18" – Depth 20".
- 12" tall divider will be installed in spaces 12-1/2" - 19" interior height; 18" tall divider will be installed in spaces taller than 19" interior height.
- Trays will be placed with equal spacing only.

SKU
CTD



## Roll-Out Drawer Kit | RODK

- For field install into existing system holes.
- Same drawer construction as Access wood drawer.
- Includes mounting cleats and all hardware.
- Order by cabinet width and specify cabinet depth.  
Ex: RODK30 would be for B30.

**Note:**

- See Cabinet sections for cabinets that include factory installed roll outs.
- RODK39 & RODK42 will be two roll out kits; one roll out for each side of the center partition built into B39 and B42.

SKU	SKU
RODK12	RODK24
RODK13.5	RODK27
RODK15	RODK30
RODK16.5	RODK33
RODK18	RODK36
RODK19.5	RODK39
RODK21	RODK42



## Satino Roll-Out Drawer Kit | SRODK

- For field install into existing system holes.
- Same drawer construction as Satino drawer.
- Includes mounting cleats and all hardware.
- Order by cabinet width and specify cabinet depth.  
Ex: RODK30 would be for B30.

**Note:**

- See Cabinet sections for cabinets that include factory installed roll outs.
- SRODK39 & SRODK42 will be two roll out kits; one roll out for each side of the center partition built into B39 and B42.

SKU	SKU
SRODK12	SRODK24
SRODK13.5	SRODK27
SRODK15	SRODK30
SRODK16.5	SRODK33
SRODK18	SRODK36
SRODK19.5	SRODK39
SRODK21	SRODK42



## Sink Liner | SL48

- Protective sink base floor liner, or can be used as a drawer or roll out liner to protect surfaces and provide easy cleaning.
- Gray stainless looking polystyrene material.
- Dimpled design can collect up to 1 gallon of liquid (based on BS36 cabinet size).
- Field trim and install on site.
- 24 1/2" x 45 1/2".

**Note:**

- Sink Liner available as a factory installed accessory.

SKU
SL48



## Base Sink Storage Caddy | BSSC

- Under sink storage caddy mounts to cabinet floor for left or right hand use.
- 4 screw easy mount system.
- 3/4" extension with soft close function.
- Lift out carrier tray and tray dividers included.
- Bins are dishwasher safe.

SKU
BSSC



## Touch Latch | BTL

SKU
BTL

- Mechanical touch release for no-handle design.
- Designed for doors only, will not work on drawers. Simple field install
- Mounts on cabinet bottom at opposite corner of hinge.
- Plunger rotates to provide reveal adjustment when door is closed.
- Must remove door bumpers for proper function.
- Mounts on cabinet bottom at opposite corner of hinge, apprx. 1/2" from cabinet side.
- Front edge of plunger to be flush with box edge band.
- Plunger rotates to provide reveal adjustment when door is closed.
- Must remove door bumpers for proper function.



## Peg Board Dish Storage | PBDS

SKU
PBDS24
PBDS30
PBDS39

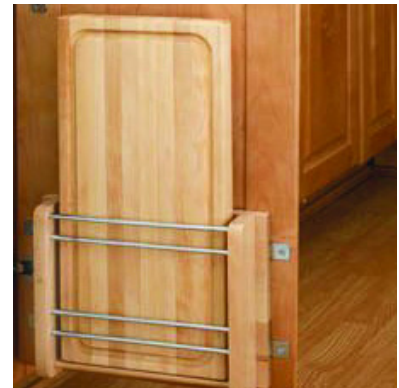
- UV cured Maple board with holes provides adjustable plate and bowl storage in wider drawers.
- Panel can be trimmed to fit on site; pegs fit snugly into holes.
- 24" has 9 pegs.
- 30" has 12 pegs.
- 39" has 16 pegs.



## Door Mount Cutting Board | DMCB

SKU
DMCB15
DMCB18

- Recommended installation in sink cabinet. Otherwise, will require field trimming of shelf to accommodate 3" depth. May require drilling new shelf clip holes too.
- 15 fits on back of a 15" wide door.
- 18 fits on back of 18" wide door.
- Mounting bracket provides adjustment; extends into cabinet 3".
- Overall height is 17".



## Wine Bottle Shelf | WBS

SKU
WBS18
WBS24
WBS30
WBS36

- Loose shelf with openings to support wine bottles.
- Specify cabinet width.
- Specify wood type, will match finish.
- Available in: Alder, Cherry, Maple, and Red Oak woods only.
- Not available in Rift White Oak. Maple will be used for paint finish.
- No modifications.
- Bottle quantity:  
18" = 3 bottles, 24" = 4 bottles, 30" = 5 bottles, 36" = 6 bottles





## Satin Nickel Stem Glass Holder | SNSG

- Contemporary loop style stem glass holder.
- Satin nickel finish on heavy gauge wire construction.
- Field install individual racks; space as needed.
- Each rack measures 4 ¼” wide x 11” deep x 1 ½” tall.
- Each rack will hold 3 typical wine glasses.

SKU
SNSG



## Stem Glass Holder | SG

- T-brackets mounted to a finished shelf – 12” deep; shipped loose.
- Available in: Cherry, Maple, Red Oak only. Cherry will be used for Alder.
- Not available in Rift White Oak. Maple will be used for paint finish.
- Available Sizes:
  - Depth: 12”
  - Widths: 15”, 18”, 21”, 24”, 27”, 30”, 36”

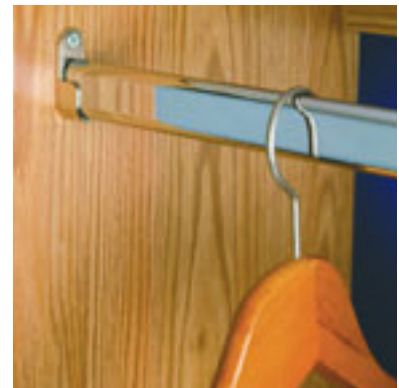
SKU
SG15
SG18
SG21
SG24
SG27
SG30
SG33
SG36



## Hanging Rod For Broom | HAROD

- Chrome 36” hanging rod and mounting hardware.
- Create hanging space where needed.
- Trim to fit.

SKU
HAROD



## Toe Kick Ladder Pack | TKLP or TTLP

- TKLP = 4 1/2”, TTKLP = 8” tall
- 96” long strips of 5/8” x 4 1/2”, or 5/8” x 8” tall strips of plywood material used for building a cabinet toe kick section on site.
- A pack includes two 96” lengths and ten 19” lengths.
- Order one pack for every 8 lineal feet of base cabinets.
- Requires finished toe skin material to cover face.
- Build in sections on job site to follow footprint of the cabinet layout.
- Level with shims and fasten to studs prior to setting base cabinets.
- For islands; build section to create recessed toe kick on sides or backs as needed.

SKU
TKLP
TTKLP



## Fast Caps | FCV or FCW

- Adhesive backed screw covers.
- Quantity - 50 per sheet.
- FCV: White, Gray, and Maple melamine (Also used for plywood box interior).
- FCW: Real wood veneer; only available in Cherry, Maple, Oak.  
Specify wood species and finish color.  
Cherry is the best substitute for Alder.

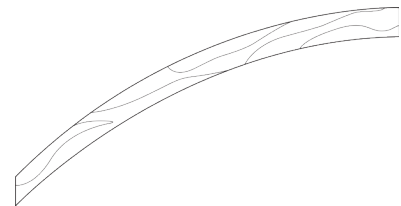
SKU
FCV
FCW



## Loose Edgebanding | LEB

- Sold by the linear foot (Five foot minimum).
- Specify type:
  - LEB-PVC
  - LEB-PVC-1mm banding:  
(For door styles Moda, Casa, Echo, Seta, Monza, Parma.)
  - LEB-Real Wood (order unfinished, primed, or stained).

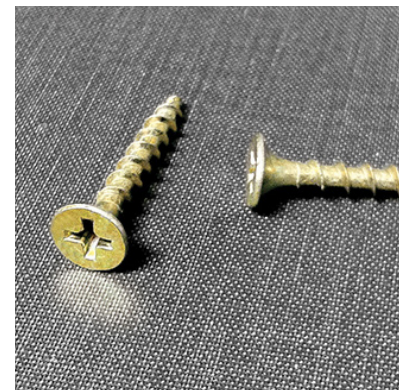
SKU
LEB - PVC
LEB - PVC - 1.0mm
LEB - WOOD - 0.5mm



## Cabinet Screws | CS100

- 1 1/8" gold drywall screws used for Latitude cabinet install.
- Qty: 100

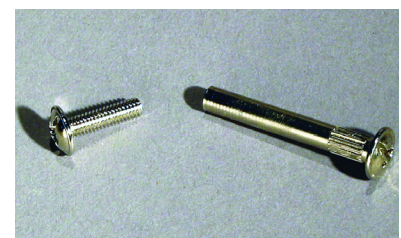
SKU
CS100



## Connector Bolts | CB100

- 100 sets of threaded connector bolts used for fastening cabinets together through system holes.
- Provides excellent holding power and professional appearance.

SKU
CB100



## Compost Container | CC18

- Replace one existing recycle bin with this compost container
- Includes a replaceable charcoal filter
- Size replaces either a 35qt. or 50qt. bin as offered in the 18" wide recycle cabinets.

SKU
CC18



## Recycle Container Lids | RCL35, RCL50

- Silver or Green snap on hinged lid in silver or green
- Designed to fit either 35qt. or 50qt. size containers

SKU
RCL35-S
RCL35-G

SKU
RCL50-S
RCL50-G



## Heat Shield | HS

- Heat shields are an excellent product for protecting cabinets from possible damage caused by excessive ambient heat (temperatures beyond the ANSI/KCMA standard). Install them on cabinets near self-cleaning ovens, broilers and dishwashers.
- Heat shields are 1 9/16" x 30" and pre-drilled for easy installation.
- Cold rolled steel and finished in durable white, almond, or black powder coat.

### To Install:

- Place heat strip against cabinet side.
- Heat strip should be even with the front edge of the cabinet doors with countersunk holes towards back of cabinet.
- Use four #6 flat head wood screws to install each heat strip (screws not included).

SKU
HS



## Loose Hinges | SH1600

- Single 110 degree opening hinge and hinge plate.
- Same as hinge on cabinets.
- Will include integral soft close feature.
- Specify cabinet being used.

SKU
SH1600



## Replacement Access Drawer Box | RADB

- Standard Access all wood dovetailed drawer box.
- Order by cabinet size and depth, factory will determine actual drawer box size.
- Specify top, second, third, or fourth drawer if for a drawer stack.

SKU
RADB

**Note:**

- If for an increased depth modified cabinet (greater than 24”), standard depth drawer box will still be supplied: 21” deep drawer box.

## Replacement Satino Drawer Box | RSDB

- Standard Access all wood dovetailed drawer box.
- Order by cabinet size and depth, factory will determine actual drawer box size.
- Specify top, second, third, or fourth drawer if for a drawer stack.

SKU
RSDB

**Note:**

- Increased depth cabinet will receive standard depth drawer box: 21” deep.

## Replacement Access Drawer Guides | RADG

- One pair full-extension undermount soft close guides for field replacement.
- For use with Access drawer box only.
- Must specify cabinet depth.

SKU
RADG

## Replacement Satino Drawer Guides | RSDG

- One pair full-extension undermount soft close guides for field replacement.
- For use with Satino drawer box only.
- Must specify cabinet depth.

SKU
RSDG

## Steel Shelf Pins | SSP

- Standard steel shelf pins.
- Fits in 5mm diameter hole.
- Comes in package of 20.

SKU
SSP



## Customer Touch Up Kit | CCTUK

- One touch-up kit included at no charge with each order (CCTUK).
- Touch-up kit includes:
  - Putty stick (2 sticks for color blending as needed).
  - Felt tip marker.
- Use for minor field repair and touch up.
- For additional finish touch-up marker and sticks, order by wood and stain color (Example: CHG-TUK – Cherry/Sienna).

SKU
CCTUK
CHG-TUK



## Touch Up Stain

Due to the legalities and challenges of shipping flammable materials, and the fact that our finishes are developed to be applied with special spray equipment; we do not offer quarts of stain for job site touch up. Instead, a simple program has been developed with our source, Sherwin Williams, to provide a solution for those needing field applied stains.

**How it Works:** A dealer, or the dealers' customer/contractor can now purchase at any Sherwin Williams retail store around the country, a 'matching' wipe stain or paint formulated for field application with rags or a brush. These finishes are a close match to the factory colors, and can be further controlled in the application and drying process to fine tune the color match. A polyurethane type top coat finish in a low sheen level will need to be applied after the stain or paint processes.

### To Purchase:

- Consumer, contractor, or dealer go to a Sherwin Williams retail store and asks to have a matching stain made.
- Tell the sales person it is a stain from one of their national accounts, and the color information is in their computer.
- Provide the brand name (Latitude Cabinets) and color and wood material in the case of wood stains.
- The store clerk will access the color formula through their centralized computer system, generate the mix code, and mix the amount of wiping stain or interior paint needed.
- The price of the material will vary by of course quantity, and store location.

**Note:** This should not be used for large projects.

**Disclaimer:** The stain/paint product you are ordering is carefully formulated by Sherwin-Williams for ease of application and to be a close match to the original factory applied finish. Please understand the results can vary from the original factory color due to: application process, dry time prior to wipe down, (for stains), the species of wood being used, and even the degree of pre-finish sanding performed on the material. Therefore, there can be no guarantee from either Sherwin-Williams Company or Latitude Cabinets for an exact color match to the original factory finish.