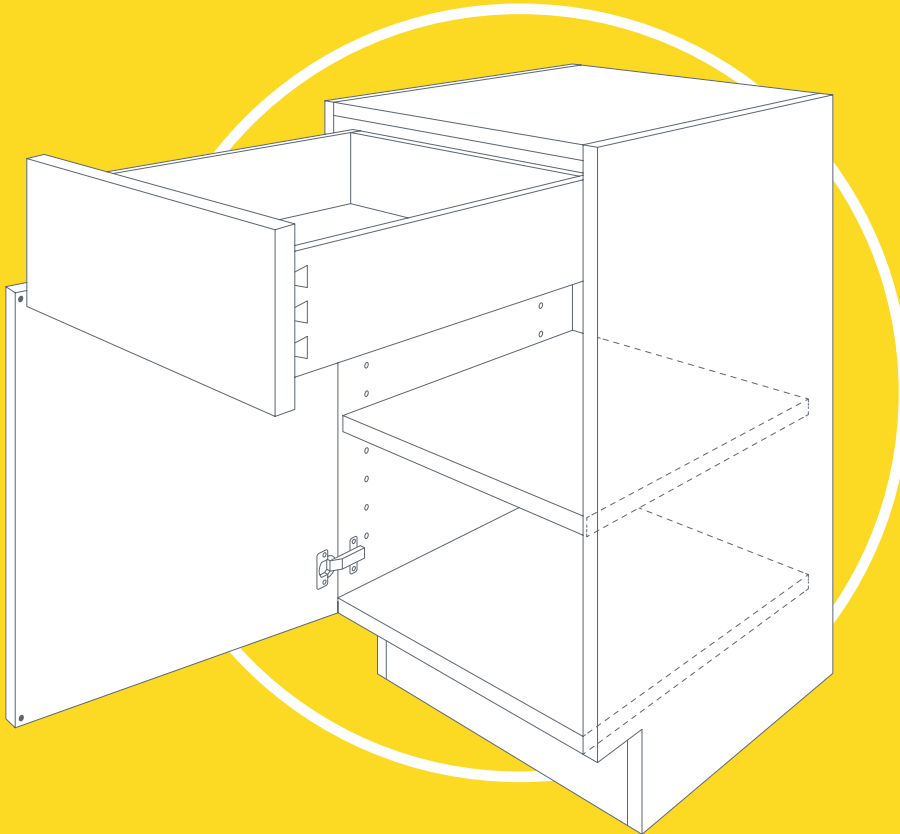




Tall Cabinet Configurations



CABINET NOMENCLATURE

WFD301824

CABINET TYPE	WIDTH	HEIGHT	DEPTH
WFD	30	18	24

ex. **W3036** = Wall Cabinet: 30-in wide x 36-in tall
Width x Height x Depth (depth is standard 12-in, so is not noted)

ex. **4BD18** = Four Base Drawer Cabinet: 18-in wide
Height x Depth not noted (these are standard 24-in deep x 34 1/2-in high)

...

BASE CABINETS: Standard 34 1/2-in tall (before countertop) and 24-in deep (not including door/drawer faces).

WALL CABINETS: Standard 12-in depth. Latitude offers an additional standard 15-in depth.

TALL CABINETS: Available in 84, 90, 93, and 96-in heights. 24-in deep with select 12-in deep options.

VANITY CABINETS: Available in 32-in and 34 1/2-in heights (*not including countertop*). Both are 21-in deep.

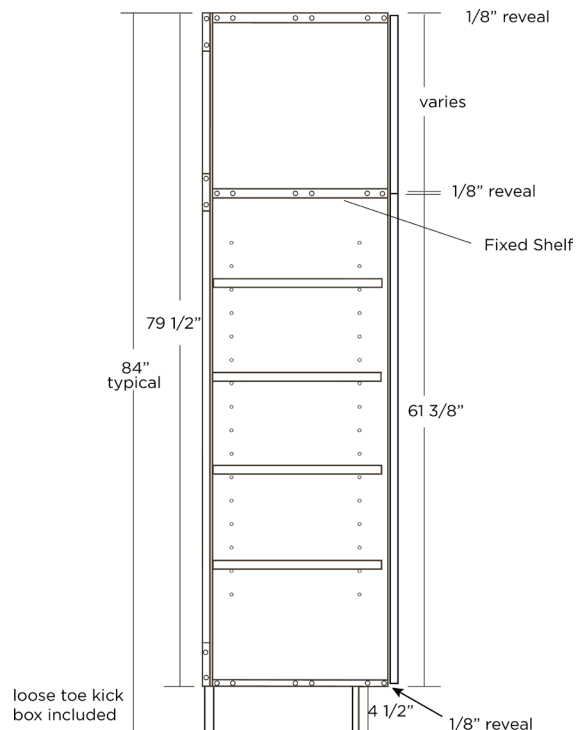
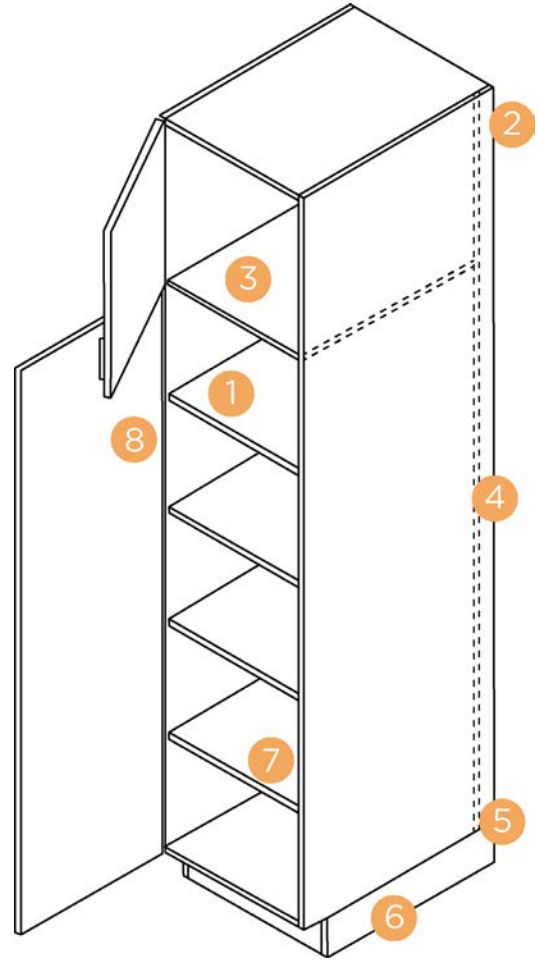
Cabinet sizing uses a 3-in increment system for width, height, and depth. Latitude Cabinets offers select base and wall cabinets in 1 1/2-in width increments to allow for design flexibility. Height, width, and depth reductions are also available on most cabinets.

TALL CABINET CONSTRUCTION

1. 5/8" shelves are full depth and adjustable on steel shelf pins.
2. 4 5/8" x 4" fastening strips doweled into case sides, behind back panel.
3. 5/8" Fixed shelf
4. 1/4" thick back panel; inset into dado joints in side panels; top and bottom edge of panel will show.
5. Concealed wood dowel and glue joints where sides join tops and bottoms.
6. Loose toe kick platform on all Tall cabinets.
7. 5/8" thick sides, top, bottom & adjustable shelves; solid color PVC banding on all exposed edges.
8. Doors attached with 110 degree opening soft close hinges.

Notes:

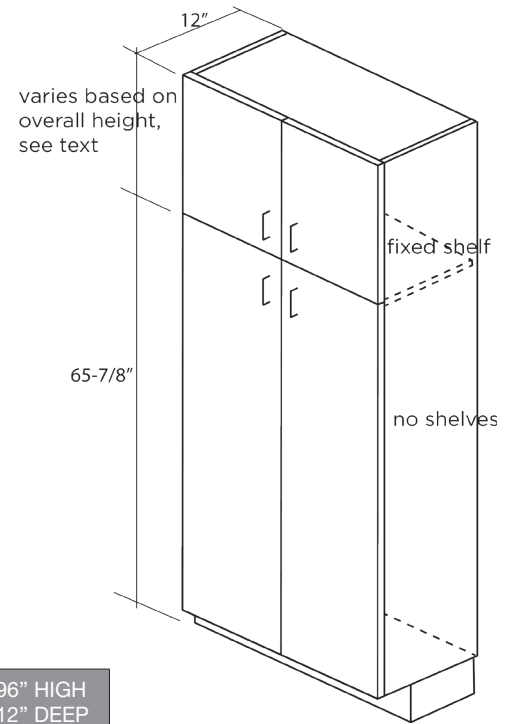
- Tall cabinets 9-21" wide will have single width door; specify hinge direction.
- Tall cabinets 24" and wider will have 2 equal width 'butt' doors; reveal or gap between doors will be 1/8" (3mm) once field adjusted.
- To facilitate job site delivery, the toe kick 'box' is shipped loose (inside cabinet) on all tall cabinets, and is a pre-constructed box that is to be attached to the cabinet on the job site.
- See individual cabinet details for upper and lower door heights of tall and oven cabinet.
- Standard white, and optional gray and maple melamine interior details – all interior and exterior surfaces will be same color melamine material.
- Plywood option details - all interior and exterior surfaces will be same plywood material.
- Door reveals – 1/8" at top and bottom; 1/16" on outside edges; 1/8" between doors/drawers.



TALL CABINETS

Broom Cabinet - 12" Deep | BR 84", 87", 90", 93", 96" High x 12" Deep

- 12" - 21" wide will have 2 full width doors, specify hinge right or left.
- 24" - 36" wide will have 4 equal width doors.
- No shelving included.
- Recessed & raised panel doors taller than 48" will have a centered horizontal rail.
- Bottom doors will be built as 2 doors operating as 1, for Rift door style. Doors will be split equally in height and dowelled together with no reveal between.
- Lower door is 61 3/8".
- Cabinet Height - Upper Door Heights:
 - o 84"-17 3/4"
 - o 87"-20 3/4"
 - o 90"-23 3/4"
 - o 93"-26 3/4"
 - o 96"-29 3/4"



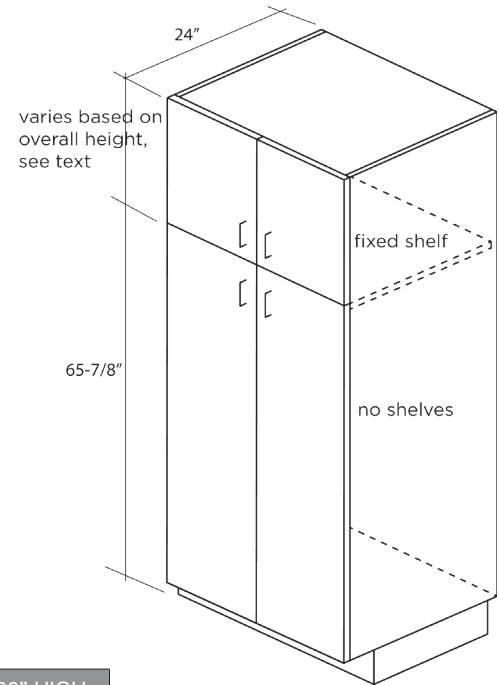
MINIMUM SIZE		84" HIGH 12" DEEP	87" HIGH 12" DEEP	90" HIGH 12" DEEP	93" HIGH 12" DEEP	96" HIGH 12" DEEP
Minimum Depth	4"	BR128412	BR128712	BR129012	BR129312	BR129612
Minimum Width	12"	BR13.58412	BR13.58712	BR13.59012	BR13.59312	BR13.59612
Minimum Height	78"	BR158412	BR158712	BR159012	BR159312	BR159612
MODIFICATIONS AVAILABLE		BR16.58412	BR16.58712	BR16.59012	BR16.59312	BR16.59612
Finished Interior		BR188412	BR188712	BR189012	BR189312	BR189612
Frame for Glass Door		BR19.58412	BR19.58712	BR19.59012	BR19.59312	BR19.59612
Metal Frame Door		BR218412	BR218712	BR219012	BR219312	BR219612
See Modifications for other available mods and details.		BR248412	BR248712	BR249012	BR249312	BR249612
		BR278412	BR278712	BR279012	BR279312	BR279612
		BR308412	BR308712	BR309012	BR309312	BR309612
		BR338412	BR338712	BR339012	BR339312	BR339612
		BR368412	BR368712	BR369012	BR369312	BR369612

TALL CABINETS

TALL CABINETS

Broom Cabinet - 24" Deep | BR 84", 87", 90", 93", 96" High x 24" Deep

- 12" - 21" wide will have 2 full width doors, specify hinge right or left.
- 24" - 36" wide will have 4 equal width doors.
- No shelving included.
- Recessed & raised panel doors taller than 48" will have a centered horizontal rail.
- Bottom doors will be built as 2 doors operating as 1, for Rift door style. Doors will be split equally in height and dowelled together with no reveal between.
- Lower door is 61 3/8" tall
- Cabinet Height - Upper Door Heights:
 - o 84"-17 3/4"
 - o 87"-20 3/4"
 - o 90"-23 3/4"
 - o 93"-26 3/4"
 - o 96"-29 3/4"

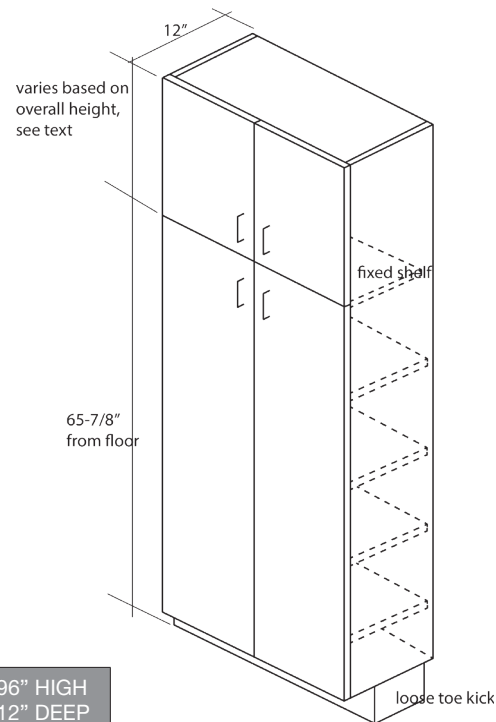


MINIMUM SIZE		84" HIGH 24" DEEP	87" HIGH 24" DEEP	90" HIGH 24" DEEP	93" HIGH 24" DEEP	96" HIGH 24" DEEP
Minimum Depth	4"	BR128424	BR128724	BR129024	BR129324	BR129624
Minimum Width	12"	BR13.58424	BR13.58724	BR13.59024	BR13.59324	BR13.59624
Minimum Height	78"	BR158424	BR158724	BR159024	BR159324	BR159624
MODIFICATIONS AVAILABLE		BR16.58424	BR16.58724	BR16.59024	BR16.59324	BR16.59624
Finished Interior		BR188424	BR188724	BR189024	BR189324	BR189624
Frame for Glass Door		BR19.58424	BR19.58724	BR19.59024	BR19.59324	BR19.59624
Metal Frame Door		BR218424	BR218724	BR219024	BR219324	BR219624
See Modifications for other available mods and details.		BR248424	BR248724	BR249024	BR249324	BR249624
		BR278424	BR278724	BR279024	BR279324	BR279624
		BR308424	BR308724	BR309024	BR309324	BR309624
		BR338424	BR338724	BR339024	BR339324	BR339624
		BR368424	BR368724	BR369024	BR369324	BR369624

TALL CABINETS

Pantry Cabinet - 12" Deep | PC 84", 87", 90", 93", 96" High x 12" Deep

- 12" - 21" wide will have one full width door, specify hinge right or left.
- 24" - 36" wide will have 2 equal width doors.
- Lower door is 61 3/8".
- Recessed & raised panel doors taller than 48" will have a centered horizontal rail.
- Bottom doors will be built as 2 doors operating as 1, for Rift door style. Doors will be split equally in height and dowelled together with no reveal between.
- Lower door is 61 3/8".
- Cabinet Height - Upper Door Heights:
 - o 84"-17 3/4"
 - o 87"-20 3/4"
 - o 90"-23 3/4"
 - o 93"-26 3/4"
 - o 96"-29 3/4"



MINIMUM SIZE	
Minimum Depth	4"
Minimum Width	12"
Minimum Height	78"
MODIFICATIONS AVAILABLE	
Finished Interior	
Frame for Glass Door	
Metal Frame Door	
See Modifications for other available mods and details.	

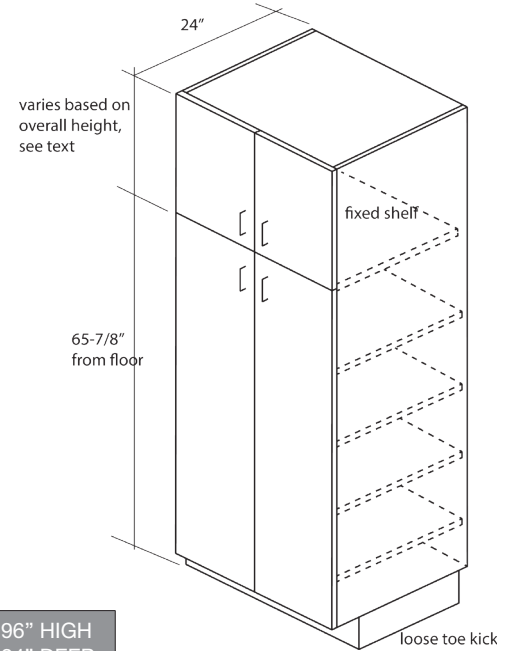
84" HIGH 12" DEEP	87" HIGH 12" DEEP	90" HIGH 12" DEEP	93" HIGH 12" DEEP	96" HIGH 12" DEEP
PC128412	PC128712	PC129012	PC129312	PC129612
PC13.58412	PC13.58712	PC13.59012	PC13.59312	PC13.59612
PC158412	PC158712	PC159012	PC159312	PC159612
PC16.58412	PC16.58712	PC16.59012	PC16.59312	PC16.59612
PC188412	PC188712	PC189012	PC189312	PC189612
PC19.58412	PC19.58712	PC19.59012	PC19.59312	PC19.59612
PC218412	PC218712	PC219012	PC219312	PC219612
PC248412	PC248712	PC249012	PC249312	PC249612
PC278412	PC278712	PC279012	PC279312	PC279612
PC308412	PC308712	PC309012	PC309312	PC309612
PC338412	PC338712	PC339012	PC339312	PC339612
PC368412	PC368712	PC369012	PC369312	PC369612

TALL CABINETS

Pantry Cabinet - 24" Deep | PC

84", 87", 90", 93", 96" High x 24" Deep

- 12" - 21" wide will have one full width door, specify hinge right or left.
- 24" - 36" wide will have 2 equal width doors.
- Recessed & raised panel doors taller than 48" will have a centered horizontal rail.
- Bottom doors will be built as 2 doors operating as 1, for Rift door style. Doors will be split equally in height and dowelled together with no reveal between.
- Lower door is 61 3/8" tall
- Cabinet Height - Upper Door Heights:
 - o 84"-17 3/4"
 - o 87"-20 3/4"
 - o 90"-23 3/4"
 - o 93"-26 3/4"
 - o 96"-29 3/4"



MINIMUM SIZE	
Minimum Depth	4"
Minimum Width	12"
Minimum Height	78"
MODIFICATIONS AVAILABLE	
Finished Interior	
Frame for Glass Door	
Metal Frame Door	
See Modifications for other available mods and details.	

84" HIGH 24" DEEP	87" HIGH 24" DEEP	90" HIGH 24" DEEP	93" HIGH 24" DEEP	96" HIGH 24" DEEP
PC128424	PC128724	PC129024	PC129324	PC129624
PC13.58424	PC13.58724	PC13.59024	PC13.59324	PC13.59624
PC158424	PC158724	PC159024	PC159324	PC159624
PC16.58424	PC16.58724	PC16.59024	PC16.59324	PC16.59624
PC188424	PC188724	PC189024	PC189324	PC189624
PC19.58424	PC19.58724	PC19.59024	PC19.59324	PC19.59624
PC218424	PC218724	PC219024	PC219324	PC219624
PC248424	PC248724	PC249024	PC249324	PC249624
PC278424	PC278724	PC279024	PC279324	PC279624
PC308424	PC308724	PC309024	PC309324	PC309624
PC338424	PC338724	PC339024	PC339324	PC339624
PC368424	PC368724	PC369024	PC369324	PC369624

TALL CABINETS

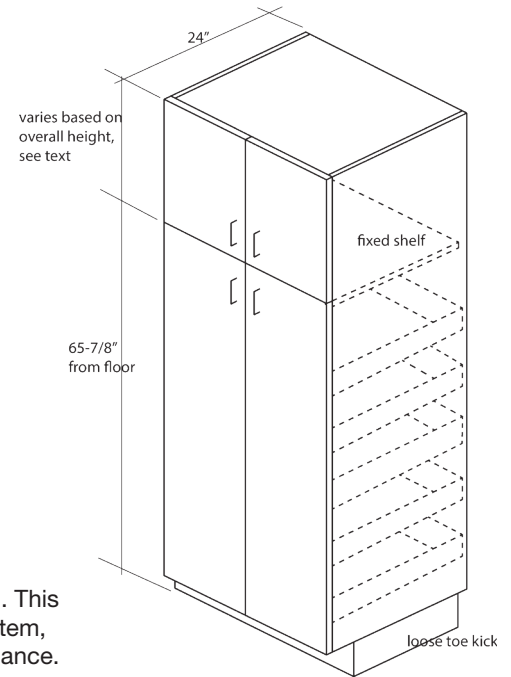
Pantry Cabinet Adjustable Roll-Out | PCAR

84", 87", 90", 93", 96" High x 24" Deep

- Features patented adjustable roll-out system. No tools required to reposition roll-outs within the cabinet.
- Provides height adjustment of roll-outs on 1 1/4" increments.
- Recessed & raised panel doors taller than 48" will have a centered horizontal rail.
- Bottom doors will be built as 2 doors operating as 1, for Rift door style. Doors will be split equally in height and dowelled together with no reveal between.
- 84" - 87" High - no shelving included in upper section.
- 90" High - one shelf included; 93" - 96" High - two shelves included.
- Includes 5 full extension soft close roll-outs.
- Lower door height is 61-3/8"
- Cabinet Height - Upper Door Heights:
 - 84"-17 3/4"
 - 87"-20 3/4"
 - 90"-23 3/4"
 - 93"-26 3/4"
 - 96"-29 3/4"

Note:

- There may be some slight flexing of glide hardware when roll-outs are fully extended. This is normal due the adjustable mounting system, and does not compromise roll-out performance.



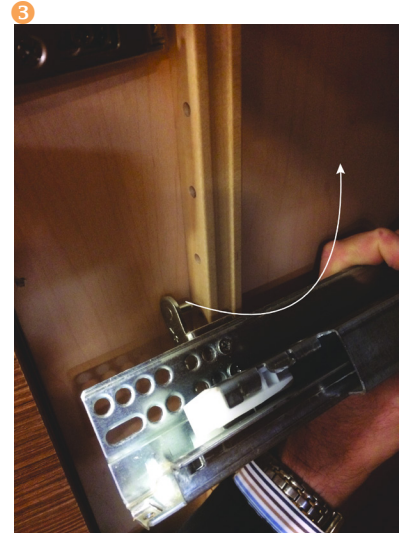
MINIMUM SIZE	
Minimum Depth	18"
Minimum Width	12"
Minimum Height	78"
MODIFICATIONS AVAILABLE	
No Modifications	
See Modifications for other available mods and details.	

84" HIGH 24" DEEP	87" HIGH 24" DEEP	90" HIGH 24" DEEP	93" HIGH 24" DEEP	96" HIGH 24" DEEP
PCAR1584	PCAR1587	PCAR1590	PCAR1593	PCAR1596
PCAR16.584	PCAR16.587	PCAR16.590	PCAR16.593	PCAR16.596
PCAR1884	PCAR1887	PCAR1890	PCAR1893	PCAR1896
PCAR19.584	PCAR19.587	PCAR19.590	PCAR19.593	PCAR19.596
PCAR2184	PCAR2187	PCAR2190	PCAR2193	PCAR2196
PCAR2484	PCAR2487	PCAR2490	PCAR2493	PCAR2496
PCAR2784	PCAR2787	PCAR2790	PCAR2793	PCAR2796
PCAR3084	PCAR3087	PCAR3090	PCAR3093	PCAR3096
PCAR3384	PCAR3387	PCAR3390	PCAR3393	PCAR3396
PCAR3684	PCAR3687	PCAR3690	PCAR3693	PCAR3696

TALL CABINETS

STEPS TO ADJUST ROLL-OUTS:

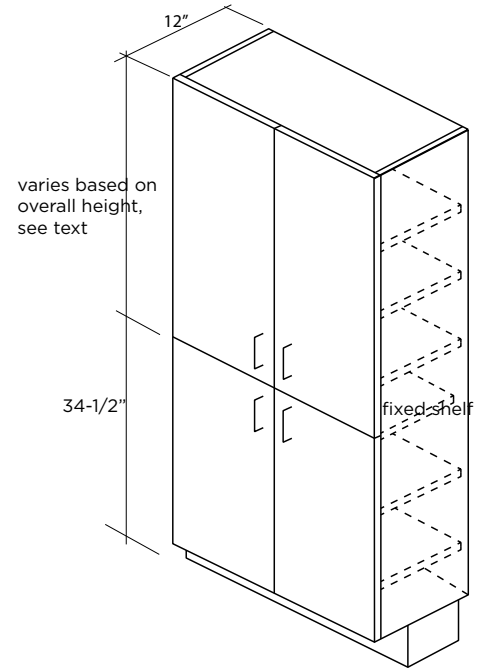
1. Remove roll-out to be re positioned. Release levers are front underside of the roll-out.
2. Glide assembly is still in cabinet.
3. Pivot each glide upward 90 degrees first, then pull forward to remove from wood pilaster.
4. Re-insert glide pins into set of holes desired for new location; and pivot back down into position. This locks guide in place.
5. Once both glides are inserted, rest roll-out on guides and push inward until it snaps into place.



Base High Pantry Cabinet - 12" Deep | BHPC

84", 87", 90", 93", 96" High X 12" Deep

- Lower door matches base full high cabinet height.
- 12" - 21" wide will have 1 full width door, specify hinge right or left.
- 24" - 36" wide will have 2 equal width doors.
- 4½" high toe kick shipped loose.
- 84" - 90" High will have 5 adjustable shelves included.
- 93" - 96" High will have 6 adjustable shelves included.
- Upper door heights:
 - o 84" tall = 49-3/8"
 - o 87" tall = 53-3/8"
 - o 90" tall = 55-3/8"
 - o 93" tall = 58-3/8"
 - o 96" tall = 61-3/8"
- Recessed & raised panel doors taller than 48" will have a centered horizontal rail.
- Upper doors will be built as 2 doors operating as 1, for Rift door style. Doors will be split equally in height and dowelled together with no reveal between.



TALL CABINETS

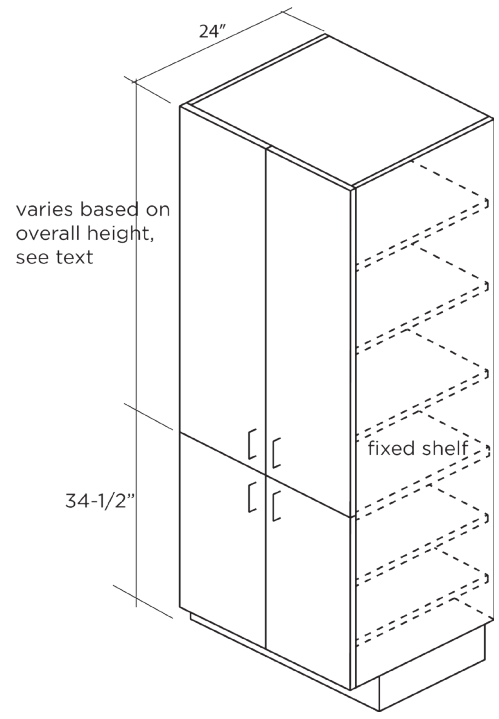
MINIMUM SIZE	
Minimum Depth	4"
Minimum Width	12"
Minimum Height	78"
MODIFICATIONS AVAILABLE	
Finished Interior	
Frame for Glass Door	
Metal Frame Door	
See Modifications for other available mods and details.	

84" HIGH 12" DEEP	87" HIGH 12" DEEP	90" HIGH 12" DEEP	93" HIGH 12" DEEP	96" HIGH 12" DEEP
BHPC128412	BHPC128712	BHPC129012	BHPC129312	BHPC129612
BHPC13.58412	BHPC13.58712	BHPC13.59012	BHPC13.59312	BHPC13.59612
BHPC158412	BHPC158712	BHPC159012	BHPC159312	BHPC159612
BHPC16.58412	BHPC16.58712	BHPC16.59012	BHPC16.59312	BHPC16.59612
BHPC188412	BHPC188712	BHPC189012	BHPC189312	BHPC189612
BHPC19.58412	BHPC19.58712	BHPC19.59012	BHPC19.59312	BHPC19.59612
BHPC218412	BHPC218712	BHPC219012	BHPC219312	BHPC219612
BHPC248412	BHPC248712	BHPC249012	BHPC249312	BHPC249612
BHPC278412	BHPC278712	BHPC279012	BHPC279312	BHPC279612
BHPC308412	BHPC308712	BHPC309012	BHPC309312	BHPC309612
BHPC338412	BHPC338712	BHPC339012	BHPC339312	BHPC339612
BHPC368412	BHPC368712	BHPC369012	BHPC369312	BHPC369612

Base High Pantry Cabinet - 24" Deep | BHPC

84", 87", 90", 93", 96" High x 24" Deep

- Lower door matches base full high cabinet height.
- 12" - 21" wide will have 1 full width door, specify hinge right or left.
- 24" - 36" wide will have 2 equal width doors.
- 4½" high toe kick shipped loose.
- 84" - 90" High will have 5 adjustable shelves included.
- 93" - 96" High will have 6 adjustable shelves included.
- Upper door heights:
 - o 84" tall = 49-3/8"
 - o 87" tall = 53-3/8"
 - o 90" tall = 55-3/8"
 - o 93" tall = 58-3/8"
 - o 96" tall = 61-3/8"
- Recessed & raised panel doors taller than 48" will have a centered horizontal rail.
- Upper doors will be built as 2 doors operating as 1, for Rift door style. Doors will be split equally in height and dowelled together with no reveal between.



MINIMUM SIZE	
Minimum Depth	4"
Minimum Width	12"
Minimum Height	78"
MODIFICATIONS AVAILABLE	
Finished Interior	
Frame for Glass Door	
Metal Frame Door	
See Modifications for other available mods and details.	

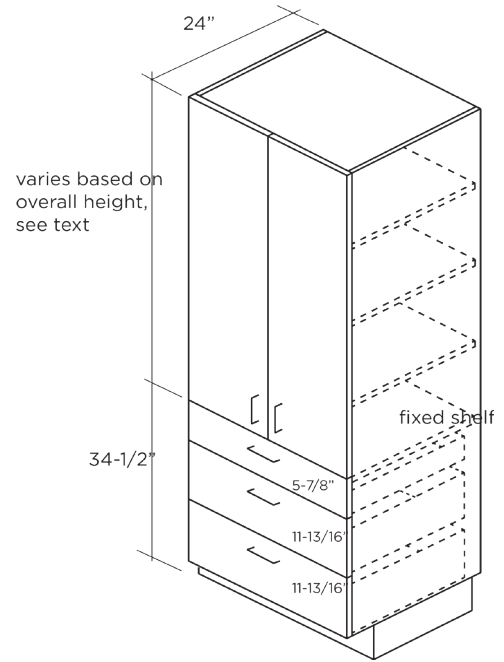
84" HIGH 24" DEEP	87" HIGH 24" DEEP	90" HIGH 24" DEEP	93" HIGH 24" DEEP	96" HIGH 24" DEEP
BHPC128424	BHPC128724	BHPC129024	BHPC129324	BHPC129624
BHPC13.58424	BHPC13.58724	BHPC13.59024	BHPC13.59324	BHPC13.59624
BHPC158424	BHPC158724	BHPC159024	BHPC159324	BHPC159624
BHPC16.58424	BHPC16.58724	BHPC16.59024	BHPC16.59324	BHPC16.59624
BHPC188424	BHPC188724	BHPC189024	BHPC189324	BHPC189624
BHPC19.58424	BHPC19.58724	BHPC19.59024	BHPC19.59324	BHPC19.59624
BHPC218424	BHPC218724	BHPC219024	BHPC219324	BHPC219624
BHPC248424	BHPC248724	BHPC249024	BHPC249324	BHPC249624
BHPC278424	BHPC278724	BHPC279024	BHPC279324	BHPC279624
BHPC308424	BHPC308724	BHPC309024	BHPC309324	BHPC309624
BHPC338424	BHPC338724	BHPC339024	BHPC339324	BHPC339624
BHPC368424	BHPC368724	BHPC369024	BHPC369324	BHPC369624

TALL CABINETS

Three Base Pantry Drawer | 3BPD

84", 87", 90", 93", 96" High x 24" Deep

- One full width door in 21" and less, specify hinge left or right.
- Double doors in widths over 24".
- Three drawers in bottom section; aligns with standard 3BD cabinet
- 4½" high toe kick shipped loose.
- 84" & 87" high - three adjustable shelves included.
- 90"- 96" high - four adjustable shelves included.
- Upper door heights:
 - o 84" tall = 49-3/8"
 - o 87" tall = 53-3/8"
 - o 90" tall = 55-3/8"
 - o 93" tall = 58-3/8"
 - o 96" tall = 61-3/8"
- Recessed & raised panel doors taller than 48" will have a centered horizontal rail.
- Upper doors will be built as 2 doors operating as 1, for Rift door style. Doors will be split equally in height and dowelled together with no reveal between.



TALL CABINETS

MINIMUM SIZE	
Minimum Depth	12"
Minimum Width	12"
Minimum Height	78"
MODIFICATIONS AVAILABLE	
Finished Interior	
Frame for Glass Door	
Metal Frame Door	
See Modifications for other available mods and details.	

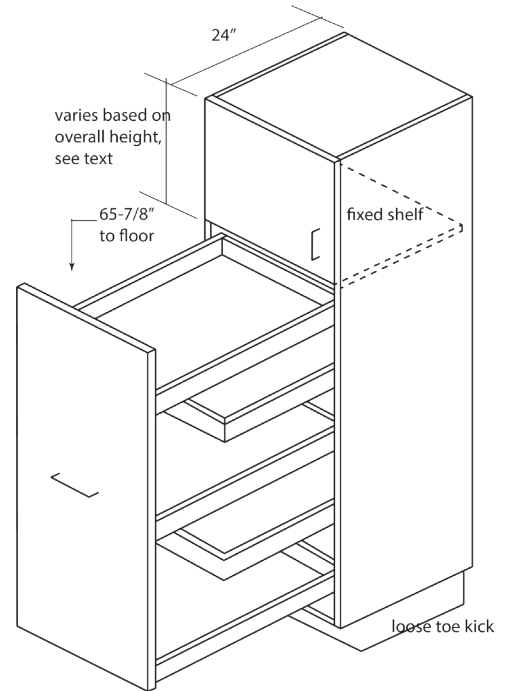
84" HIGH 24" DEEP	87" HIGH 24" DEEP	90" HIGH 24" DEEP	93" HIGH 24" DEEP	96" HIGH 24" DEEP
3BPD1584	3BPD1587	3BPD1590	3BPD1593	3BPD1596
3BPD16.584	3BPD16.587	3BPD16.590	3BPD16.593	3BPD16.596
3BPD1884	3BPD1887	3BPD1890	3BPD1893	3BPD1896
3BPD19.584	3BPD19.587	3BPD19.590	3BPD19.593	3BPD19.596
3BPD2184	3BPD2187	3BPD2190	3BPD2193	3BPD2196
3BPD2484	3BPD2487	3BPD2490	3BPD2493	3BPD2496
3BPD2784	3BPD2787	3BPD2790	3BPD2793	3BPD2796
3BPD3084	3BPD3087	3BPD3090	3BPD3093	3BPD3096
3BPD3384	3BPD3387	3BPD3390	3BPD3393	3BPD3396
3BPD3684	3BPD3687	3BPD3690	3BPD3693	3BPD3696

TALL CABINETS

Tall Pull-Out Spice | TPOS

84", 87", 90", 93", 96" High x 24" Deep

- Includes 5 full extension 4" tall soft close roll-outs; with three attached to the lower door; the other two roll-outs operate independently.
- 84" - 87" High - no adjustable shelf in upper section.
- 90" - 93" High - 1 adjustable shelf in upper section.
- 96" High - 2 adjustable shelves in upper section.
- Recessed & raised panel doors taller than 48" will have a centered horizontal rail.
- Bottom doors will be built as 2 doors operating as 1, for Rift door style. Doors will be split equally in height and dowelled together with no reveal between.
- Lower door height is 61-3/8"
- Cabinet Height - Upper Door Heights:
 - o 84"-17¾"
 - o 87"-20¾"
 - o 90"-23¾"
 - o 93"-26¾"
 - o 96"-29¾"



Note:

- If Satino drawers are specified on order, the roll-outs in the TPOS will also be Satino construction, and the up charge for 5 roll-outs will apply.
- It is critical that handle be placed at center of door for properly balanced pull out function.

MINIMUM SIZE	
Minimum Depth	18"
Minimum Width	12"
Minimum Height	78"
MODIFICATIONS AVAILABLE	
No Modifications	
See Modifications for other available mods and details.	

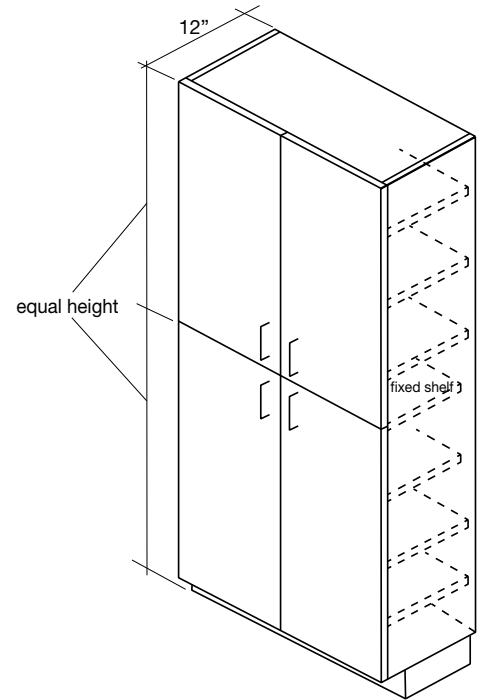
84" HIGH 24" DEEP	87" HIGH 24" DEEP	90" HIGH 24" DEEP	93" HIGH 24" DEEP	96" HIGH 24" DEEP
TPOS984	TPOS987	TPOS990	TPOS993	TPOS996
TPOS1284	TPOS1287	TPOS1290	TPOS1293	TPOS1296
TPOS1584	TPOS1587	TPOS1590	TPOS1593	TPOS1596

TALL CABINETS

Linen Cabinet - 12" Deep | LC

84", 87", 90", 93", 96" High x 12" Deep

- 12" - 21" wide will have 2 full width doors, specify hinge right or left.
- 24" - 36" wide will have 4 equal width doors.
- Doors are equal height. To calculate: Overall cabinet height, - 4-1/2" toe kick ht., - 3 @ 1/8" for reveals top, bottom and middle; divided by 2.
 - o Example: 90" cabinet - 4-1/2" = 85 1/2", - 3/8" = 85-1/8". Divide by 2 = 42-9/16" each door.
- 4 1/2" high toe kick shipped loose.
- 6 adjustable shelves included.



MINIMUM SIZE	
Minimum Depth	4"
Minimum Width	12"
Minimum Height	78"
MODIFICATIONS AVAILABLE	
Finished Interior	
Frame for Glass Door	
Metal Frame Door	
See Modifications for other available mods and details.	

84" HIGH 12" DEEP	87" HIGH 12" DEEP	90" HIGH 12" DEEP	93" HIGH 12" DEEP	96" HIGH 12" DEEP
LN128412	LN128712	LN129012	LN129312	LN129612
LN13.58412	LN13.58712	LN13.59012	LN13.59312	LN13.59612
LN158412	LN158712	LN159012	LN159312	LN159612
LN16.58412	LN16.58712	LN16.59012	LN16.59312	LN16.59612
LN188412	LN188712	LN189012	LN189312	LN189612
LN19.58412	LN19.58712	LN19.59012	LN19.59312	LN19.59612
LN218412	LN218712	LN219012	LN219312	LN219612
LN248412	LN248712	LN249012	LN249312	LN249612
LN278412	LN278712	LN279012	LN279312	LN279612
LN308412	LN308712	LN309012	LN309312	LN309612
LN338412	LN338712	LN339012	LN339312	LN339612
LN368412	LN368712	LN369012	LN369312	LN369612

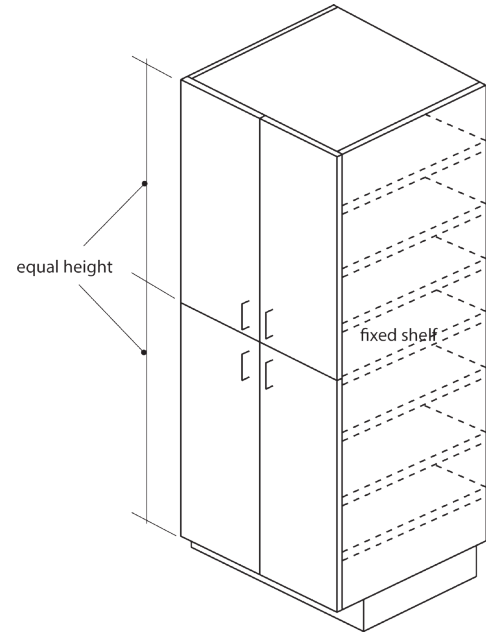
TALL CABINETS

TALL CABINETS

Linen Cabinet - 24" Deep | LC

84", 87", 90", 93", 96" High x 24" Deep

- 12" - 21" wide will have 2 full width doors, specify hinge right or left.
- 24" - 36" wide will have 4 equal width doors.
- Doors are equal height. To calculate: Overall cabinet height, - 4-1/2" toe kick ht., - 3 @ 1/8" for reveals top, bottom and middle; divided by 2.
 - Example: 90" cabinet - 4-1/2" = 85 1/2", - 3/8" = 85-1/8". Divide by 2 = 42-9/16" each door.
- 4 1/2" high toe kick shipped loose.
- 6 adjustable shelves included.



MINIMUM SIZE	
Minimum Depth	4"
Minimum Width	12"
Minimum Height	78"
MODIFICATIONS AVAILABLE	
Finished Interior	
Frame for Glass Door	
Metal Frame Door	
See Modifications for other available mods and details.	

84" HIGH 24" DEEP	87" HIGH 24" DEEP	90" HIGH 24" DEEP	93" HIGH 24" DEEP	96" HIGH 24" DEEP
LN128424	LN128724	LN129024	LN129324	LN129624
LN13.58424	LN13.58724	LN13.59024	LN13.59324	LN13.59624
LN158424	LN158724	LN159024	LN159324	LN159624
LN16.58424	LN16.58724	LN16.59024	LN16.59324	LN16.59624
LN188424	LN188724	LN189024	LN189324	LN189624
LN19.58424	LN19.58724	LN19.59024	LN19.59324	LN19.59624
LN218424	LN218724	LN219024	LN219324	LN219624
LN248424	LN248724	LN249024	LN249324	LN249624
LN278424	LN278724	LN279024	LN279324	LN279624
LN308424	LN308724	LN309024	LN309324	LN309624
LN338424	LN338724	LN339024	LN339324	LN339624
LN368424	LN368724	LN369024	LN369324	LN369624

TALL CABINETS

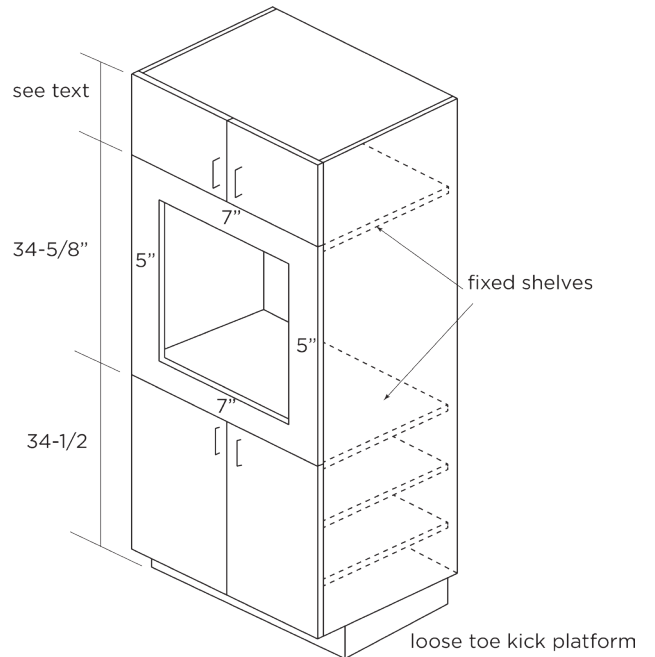
Single Oven | SO

84", 87", 90", 93", 96" High x 24" Deep

- Designed to accommodate single wall ovens.
- Use 33" wide cabinet for 30" ovens; 30" wide for 27" ovens.
- 34-5/8" tall oven panel on middle section.
- Oven panel will have same edge profile as doors; panel is removable.
- 2 adjustable shelves in bottom section.
- 4½" high toe kick shipped loose.
- One loose shelf with cleats is shipped with this cabinet for use in installation of oven.
- Cut oven panel to opening size on job site. It is strongly recommended that the max oven panel opening width be no more than cabinet width minus 3".
- Cabinet Height-Quantity Shelves in Upper Section: 84"-0, 87"-0, 90"-1, 93"-1, 96"-2.
- Cabinet Height-Upper Door Height:
- Upper door heights:

- o 84"-14¾"
- o 87"-17¾"
- o 90"-20¾"
- o 93"-23¾"
- o 96"-26¾"

MINIMUM SIZE	
Minimum Depth	No Mods
Minimum Width	24"
Minimum Height	84"
MODIFICATIONS AVAILABLE	
No Modifications	
See Modifications for other available mods and details.	

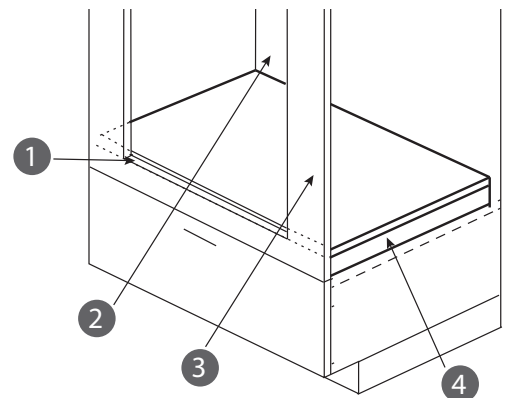


84" HIGH 24" DEEP	87" HIGH 24" DEEP	90" HIGH 24" DEEP	93" HIGH 24" DEEP	96" HIGH 24" DEEP
S02784	S02787	S02790	S02793	S02796
S03084	S03087	S03090	S03093	S03096
S03384	S03387	S03390	S03393	S03396
S03684	S03687	S03690	S03693	S03696

Oven Cabinet Notes

It is the responsibility of the installer to securely fasten appliance support cleats and panel (included with all oven cabinets), within the cut out opening per appliance instructions. Always refer to appliance instructions prior to installation; Latitude does not take responsibility for incorrect appliance installation.

1. 3/4" thick panel to be installed just slightly above (1/4") the bottom rail of the oven frame to prevent the frame from having weight load
2. Some built in ovens may require the back panel to be cut out to allow more depth; check appliance specs.
3. Oven panel details:
 - o Flat panel door styles will have a matching flat oven panel with matching edge banding.
 - o Frame and panel door styles will have oven panels built with matching stile and rails.
 - o Oven panels for Moda door style will be horizontal pattern direction.
 - o Oven panels for Monza and Parma door styles will be matching vertical pattern flat panels.
 - o Oven panels for Rift Door will be vertical grain pattern.
4. Cleats should be screwed into cabinet wall from inside. Set cleat height to compensate for 3/4" thick panel



TALL CABINETS

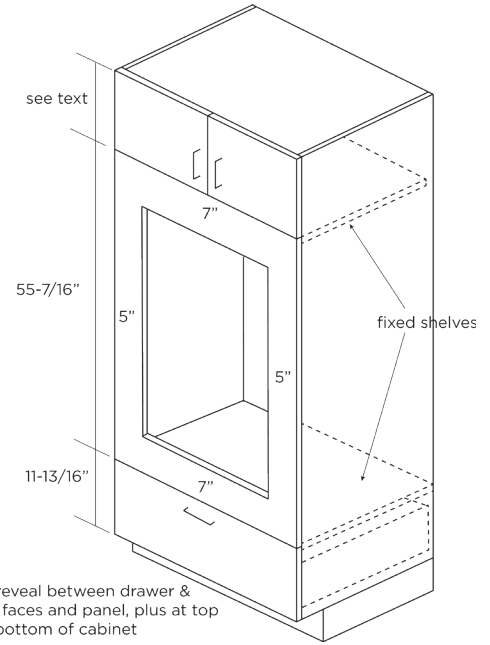
Double Oven | D0

84", 87", 90", 93", 96" High x 24" Deep

- Use 33" wide cabinet for 30" ovens; 30" wide for 27" ovens.
- 55-3/8" tall oven panel on middle section.
- Oven panel will have same edge profile as doors; panel is removable.
- 4 1/2" high toe kick shipped loose.
- One loose shelf with cleats is shipped with this cabinet for use in installation of oven.
- Cut oven panel to opening size on job site. It is strongly recommended that the max oven panel opening width be no more than cabinet width minus 3".
- Cabinet Height-Quantity Shelves in Upper Section: 84"-0, 87"-0, 90"-1, 93"-1, 96"-2.
- Cabinet Height-Upper Door Height:
 - o 84"-11 3/4"
 - o 87"-14 3/4"
 - o 90"-17 3/4"
 - o 93"-20 3/4"
 - o 96"-23 3/4"

MINIMUM SIZE	
Minimum Depth	No Mods
Minimum Width	24"
Minimum Height	84"
MODIFICATIONS AVAILABLE	
No Modifications	
See Modifications for other available mods and details.	

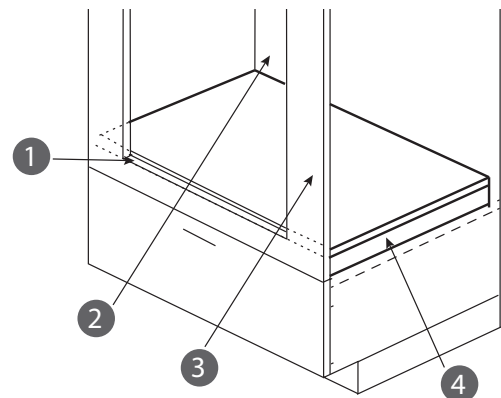
84" HIGH 24" DEEP	87" HIGH 24" DEEP	90" HIGH 24" DEEP	93" HIGH 24" DEEP	96" HIGH 24" DEEP
D02784	D02787	D02790	D02793	D02796
D03084	D03087	D03090	D03093	D03096
D03384	D03387	D03390	D03393	D03396
D03684	D03687	D03690	D03693	D03696



Oven Cabinet Notes

It is the responsibility of the installer to securely fasten appliance support cleats and panel (included with all oven cabinets), within the cut out opening per appliance instructions. Always refer to appliance instructions prior to installation; Latitude does not take responsibility for incorrect appliance installation.

1. 3/4" thick panel to be installed just slightly above (1/4") the bottom rail of the oven frame to prevent the frame from having weight load
2. Some built in ovens may require the back panel to be cut out to allow more depth; check appliance specs.
3. Oven panel details:
 - o Flat panel door styles will have a matching flat oven panel with matching edge banding.
 - o Frame and panel door styles will have oven panels built with matching stile and rails.
 - o Oven panels for Moda door style will be horizontal pattern direction.
 - o Oven panels for Monza and Parma door styles will be matching vertical pattern flat panels.
 - o Oven panels for Rift Door will be vertical grain pattern.
4. Cleats should be screwed into cabinet wall from inside. Set cleat height to compensate for 3/4" thick panel



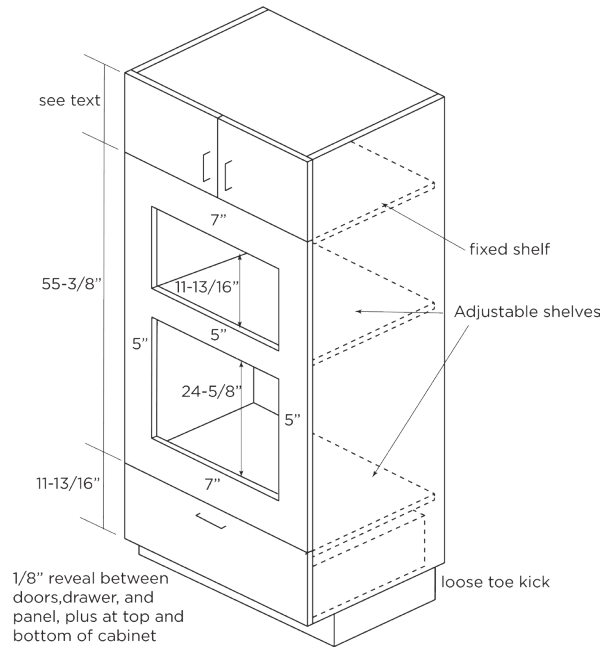
TALL CABINETS

Microwave Single Oven | MWSO

84", 87", 90", 93", 96" High x 24" Deep

- Use 33" wide cabinet for 30" ovens; 30" wide cabinet for 27" ovens.
- All heights come in 27", 30", 33", 36" widths.
- 55-3/8" tall oven panel on middle section.
- Oven panel will have same edge profile as doors; panel is removable.
- 4 1/2" high toe kick shipped loose.
- Two loose shelves with cleats are shipped with this cabinet for use in installation of oven and microwave.
- Cut oven panel to opening size on job site. It is strongly recommended that the max oven panel opening width be no more than cabinet width minus 3".
- Cabinet Height-Quantity Shelves in Upper Section: 84"-0, 87"-0, 90"-1, 93"-1, 96"-2.
- Cabinet Height-Upper Door Height:
 - o 84"-11 3/4"
 - o 87"-14 3/4"
 - o 90"-17 3/4"
 - o 93"-22 3/4"
 - o 96"-23 3/4"

MINIMUM SIZE	
Minimum Depth	No Mods
Minimum Width	24"
Minimum Height	84"
MODIFICATIONS AVAILABLE	
No Modifications	
See Modifications for other available mods and details.	

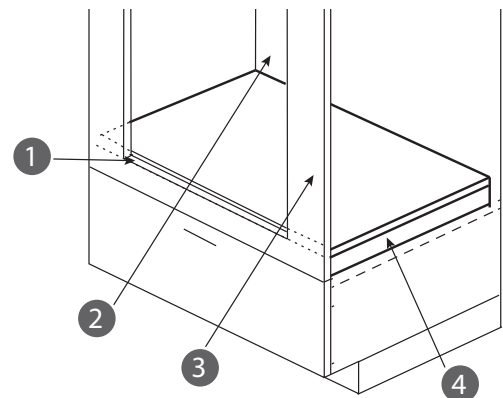


84" HIGH 24" DEEP	87" HIGH 24" DEEP	90" HIGH 24" DEEP	93" HIGH 24" DEEP	96" HIGH 24" DEEP
MWSO2784	MWSO2787	MWSO2790	MWSO2793	MWSO2796
MWSO3084	MWSO3087	MWSO3090	MWSO3093	MWSO3096
MWSO3384	MWSO3387	MWSO3390	MWSO3393	MWSO3396
MWSO3684	MWSO3687	MWSO3690	MWSO3693	MWSO3696

Oven Cabinet Notes

It is the responsibility of the installer to securely fasten appliance support cleats and panel (included with all oven cabinets), within the cut out opening per appliance instructions. Always refer to appliance instructions prior to installation; Latitude does not take responsibility for incorrect appliance installation.

1. 3/4" thick panel to be installed just slightly above (1/4") the bottom rail of the oven frame to prevent the frame from having weight load
2. Some built in ovens may require the back panel to be cut out to allow more depth; check appliance specs.
3. Oven panel details:
 - o Flat panel door styles will have a matching flat oven panel with matching edge banding.
 - o Frame and panel door styles will have oven panels built with matching stile and rails.
 - o Oven panels for Moda door style will be horizontal pattern direction.
 - o Oven panels for Monza and Parma door styles will be matching vertical pattern flat panels.
 - o Oven panels for Rift Door will be vertical grain pattern.
4. Cleats should be screwed into cabinet wall from inside. Set cleat height to compensate for 3/4" thick panel



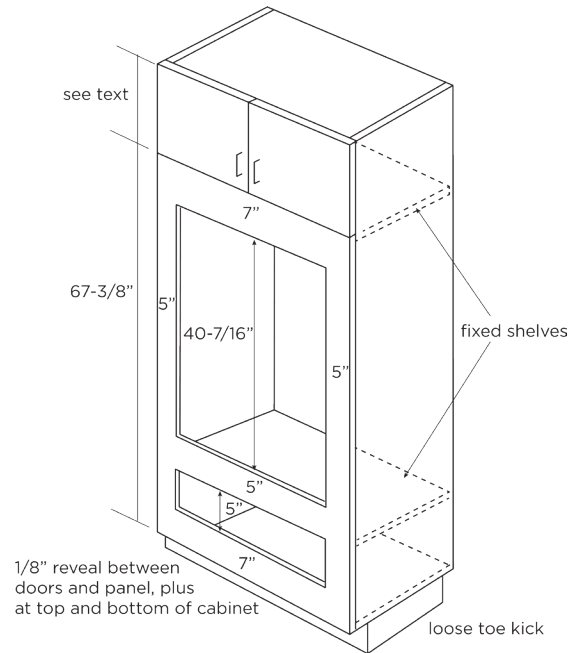
TALL CABINETS

Double Oven Warming Drawer | DOWD

84", 87", 90", 93", 96" High x 24" Deep

- Use 33" wide cabinet for 30" ovens; 30" wide for 27" ovens.
- 67 3/8" tall oven panel with two openings, 1 for oven drawer.
- Oven panel will have same edge profile as doors; panel is removable.
- 4 1/2" high toe kick shipped loose.
- Two loose shelves with support cleats are shipped with cabinet for use in installation of oven and warming drawer.
- Cut oven panel to opening size on job site. It is strongly recommended that the max oven panel opening width be no more than cabinet width minus 3".
- Cabinet Height-Quantity Shelves in Upper Section: 84"-0, 87"-0, 90"-1, 93"-1, 96"-2.
- Cabinet Height-Upper Door Height:
 - o 84"-11 3/4"
 - o 87"-14 3/4"
 - o 90"-17 3/4"
 - o 93"-20 3/4"
 - o 96"-23 3/4"

MINIMUM SIZE	
Minimum Depth	No Mods
Minimum Width	24"
Minimum Height	84"
MODIFICATIONS AVAILABLE	
No Modifications	
See Modifications for other available mods and details.	

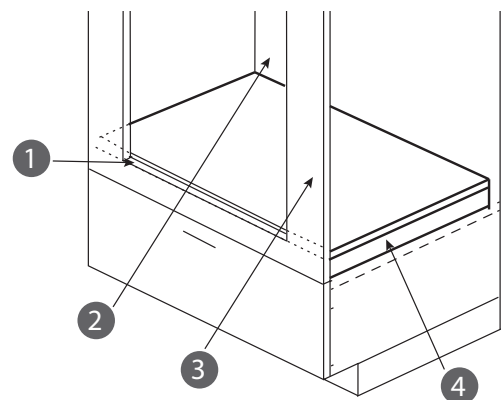


84" HIGH 24" DEEP	87" HIGH 24" DEEP	90" HIGH 24" DEEP	93" HIGH 24" DEEP	96" HIGH 24" DEEP
DOWD2784	DOWD2787	DOWD2790	DOWD2793	DOWD2796
DOWD3084	DOWD3087	DOWD3090	DOWD3093	DOWD3096
DOWD3384	DOWD3387	DOWD3390	DOWD3393	DOWD3396
DOWD3684	DOWD3687	DOWD3690	DOWD3693	DOWD3696

Oven Cabinet Notes

It is the responsibility of the installer to securely fasten appliance support cleats and panel (included with all oven cabinets), within the cut out opening per appliance instructions. Always refer to appliance instructions prior to installation; Latitude does not take responsibility for incorrect appliance installation.

1. 3/4" thick panel to be installed just slightly above (1/4") the bottom rail of the oven frame to prevent the frame from having weight load
2. Some built in ovens may require the back panel to be cut out to allow more depth; check appliance specs.
3. Oven panel details:
 - o Flat panel door styles will have a matching flat oven panel with matching edge banding.
 - o Frame and panel door styles will have oven panels built with matching stile and rails.
 - o Oven panels for Moda door style will be horizontal pattern direction.
 - o Oven panels for Monza and Parma door styles will be matching vertical pattern flat panels.
 - o Oven panels for Rift Door will be vertical grain pattern.
4. Cleats should be screwed into cabinet wall from inside. Set cleat height to compensate for 3/4" thick panel

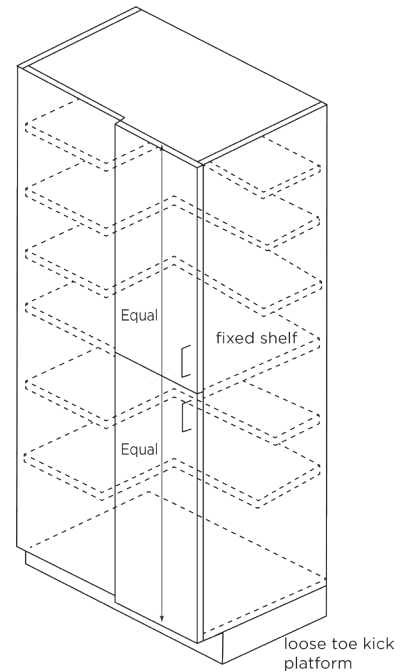


TALL CABINETS

Tall Blind Corner | TBC

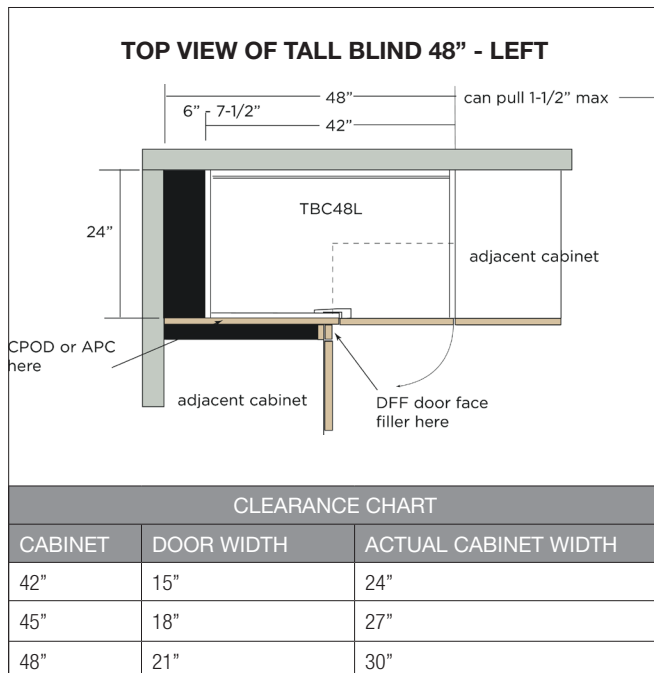
84", 87", 90", 93", 96" High x 24" Deep

- Tall blind corner provides unique storage and design options for corners.
- Built as a single unit; loose toe platform provided.
- Door heights are equally divided. (Ex: 84" - 4.5" toe space = 79.5" / 2 = Two 39.75" nominal height doors.)
- Upper section includes three adjustable shelves and the lower two shelves. Shelves are shaped to improve blind access.
- The blind panel is an integral part of the cabinet and is finished material matching the door. It has a vertical pattern direction for all wood and grain patterned door styles.
- Actual box width is 6" less than stated width. TBC48" is 42" box width. Installs 6" from corner, can be pulled 1-1/2" more to max of 7-1/2" from corner.
- 42" wide = 15" wide doors; 36" actual box width.
- 45" = 18" wide doors; 39" actual box width.
- 48" = 21" wide doors; 42" actual box width.



MINIMUM SIZE	
Minimum Depth	12"
Minimum Width	No Mods
Minimum Height	78"
MODIFICATIONS AVAILABLE	
Finished Interior	
Frame for Glass Door	
Metal Frame Door	
See Modifications for other available mods and details.	

84" HIGH 24" DEEP	87" HIGH 24" DEEP	90" HIGH 24" DEEP	93" HIGH 24" DEEP	96" HIGH 24" DEEP
TBC4284	TBC4287	TBC4290	TBC4293	TBC4296
TBC4584	TBC4587	TBC4590	TBC4593	TBC4596
TBC4884	TBC4887	TBC4890	TBC4893	TBC4896



IMPORTANT NOTES ON INSTALLATION OPTIONS (See Next Page For Install Scenarios)

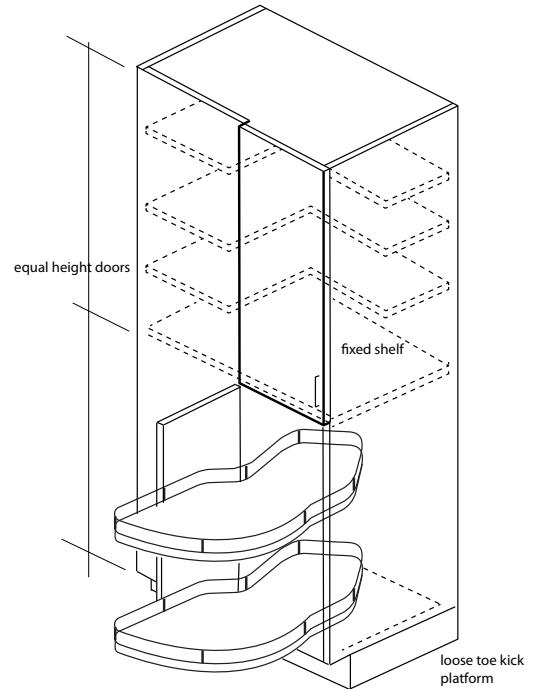
- If overlay panels are preferred or needed to cover the void space, order separately and field trim and install. These would be installed flush with the TBC door.
- Order as APC (Applied Panel Custom) if vertical grain direction is acceptable. Suggest ordering panel 28" in width x cabinet height; trim to fit on site.
- If horizontal grain pattern is needed for this exposed surface, order as 2 - CPODs. This situation would apply to designs using the Moda and Rift door styles.
- CPOD sizes would be:
 - o 84" tall - 26 3/8" wide x 39 9/16"
 - o 87" tall - 26 3/8" wide x 41 1/16"
 - o 90" tall - 26 3/8" wide x 42 9/16"
 - o 93" tall - 26 3/8" wide x 44 1/16"
 - o 96" tall - 26 3/8" wide x 45 9/16"

TALL CABINETS

Tall Blind Corner Pivot Tray | TBCPT

84", 87", 90", 93", 96" High x 24" Deep

- Tall blind corner provides unique storage and design options for corners.
- Built as a single unit; loose toe platform provided.
- Door heights are equally divided. (Ex: 84" - 4.5" toe space = 79.5" / 2 = Two 39.75" nominal height doors.)
- Upper section includes three adjustable shelves; shelves are shaped to improve blind access.
- Bottom section of TBCSO will contain 2 heavy duty smooth-motion pivot trays and 1 adjustable shelf. Trays pivot and extend into opening for improved access in the bottom section.
- Trays feature chrome railing and light gray melamine shelf. They operate independently and are height adjustable. They also include a pivot limiter to adjust pivot travel.
- The blind panel is an integral part of the cabinet and is finished material matching the door. It has a vertical pattern direction for all wood and grain patterned door styles.
- Actual box width is 6" less than stated width.
- 45" = 18" wide doors; 39" actual box width.
- 48" = 21" wide doors; 42" actual box width.



MINIMUM SIZE	
Minimum Depth	12"
Minimum Width	No Mods
Minimum Height	78"
MODIFICATIONS AVAILABLE	
Finished Interior	
Frame for Glass Door	
Metal Frame Door	
See Modifications for other available mods and details.	

84" HIGH 24" DEEP	87" HIGH 24" DEEP	90" HIGH 24" DEEP	93" HIGH 24" DEEP	96" HIGH 24" DEEP
TBCPT4584	TBCPT4587	TBCPT4590	TBCPT4593	TBCPT4596
TBCPT4884	TBCPT4887	TBCPT4890	TBCPT4893	TBCPT4896

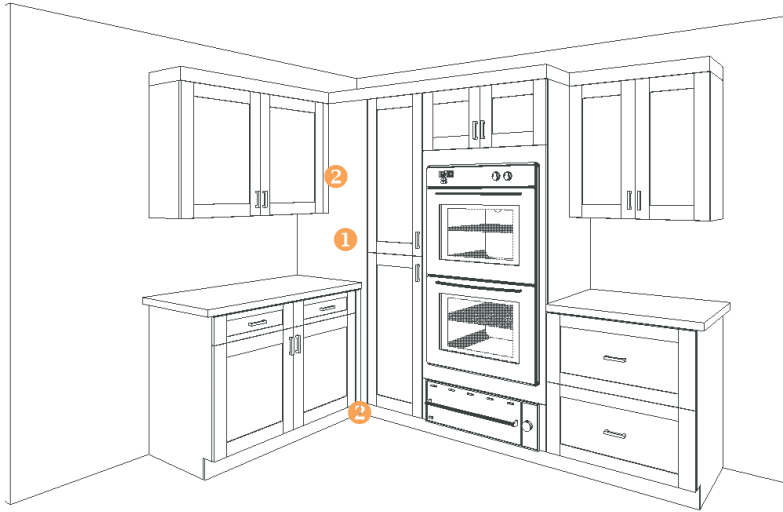
TOP VIEW OF TALL BLIND 48" - LEFT

CLEARANCE CHART		
CABINET	DOOR WIDTH	ACTUAL CABINET WIDTH
42"	15"	24"
45"	18"	27"
48"	21"	30"

IMPORTANT NOTES ON INSTALLATION OPTIONS (See Next Page For Install Scenarios)

- If overlay panels are preferred or needed to cover the void space, order separately and field trim and install. These would be installed flush with the TBC door.
- Order as APC (Applied Panel Custom) if vertical grain direction is acceptable. Suggest ordering panel 28" in width x cabinet height; trim to fit on site.
- If horizontal grain pattern is needed for this exposed surface, order as 2 - CPODs. This situation would apply to designs using the Moda and Rift door styles.
- CPOD sizes would be:
 - o 84" tall - 26 3/8" wide x 39 9/16"
 - o 87" tall - 26 3/8" wide x 41 1/16"
 - o 90" tall - 26 3/8" wide x 42 9/16"
 - o 93" tall - 26 3/8" wide x 44 1/16"
 - o 96" tall - 26 3/8" wide x 45 9/16"

Tall Blind Corner Cabinet Install Scenarios

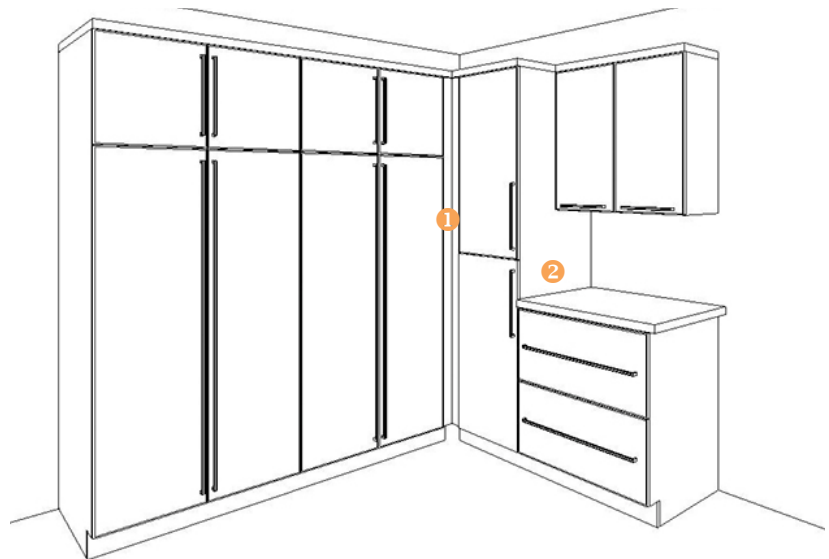


EXAMPLE 1:

1. In this example, an additional panel is required to cover the blind cabinet void space at the back wall. This panel is ordered separately, and in an example like this, should be ordered as a APC (Applied Panel Custom). It is suggested to order slightly oversized and trim to fit on site. Suggested width would be 28", and the height would be the same as the TBC height. Being an APC panel, pattern direction will run vertically. See example at bottom of page if using horizontal grain pattern door style.
2. Fillers (standard or door faced) suggested between the Tall Blind Corner and any wall or base cabinet that returns off the Tall Blind Corner to allow door and drawer clearance.

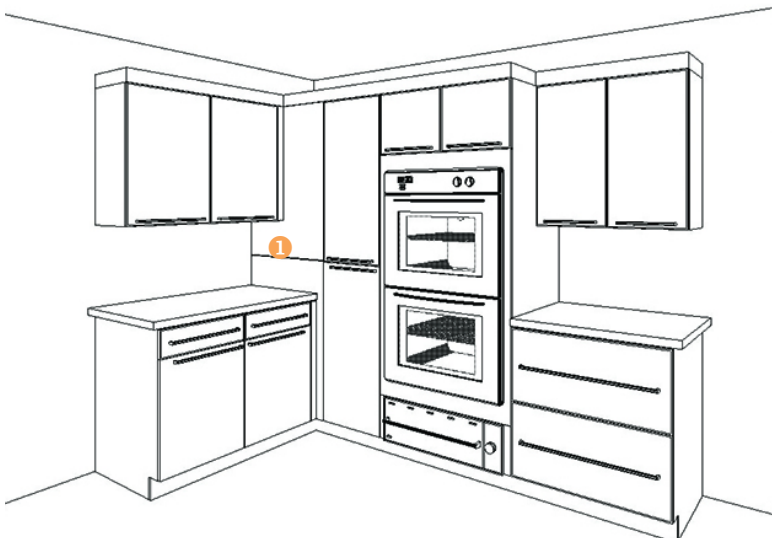
EXAMPLE 2:

1. In this example, with tall cabinets butting into the tall blind, no additional panels are needed. Install tall fillers (standard or door face fillers), in the corner; 2" minimum width suggested.
2. A finished end is needed on the right end of the TBC in this example.



EXAMPLE 3:

1. In this example, an additional panel is required to cover the blind cabinet void space at the back wall. The designer wants horizontal grain pattern to match the door style (this would be applicable to Moda and Rift doors.). To achieve the horizontal grain pattern, order two CPODs (Custom Plant On Doors). There will be a seam, and the CPODs should be sized to align with the doors on the TBC cabinet. (See notes on previous page.)

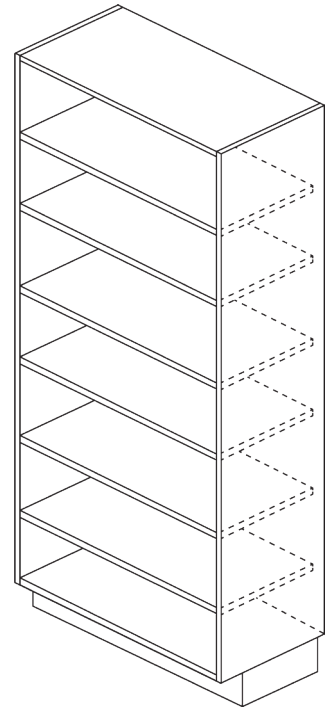


TALL CABINETS

Tall Open Finished - 12" Deep | T0

84", 87", 90", 93", 96" High x 12" Deep

- Cabinets constructed with 3/4" thick sides, top, bottom, and shelves.
- All interior and exterior surfaces are finished to match.
- Case edge band is real wood veneer 'tape' on wood door orders.
- The A grade side of wood veneers will be placed on the interior side of the cabinet unless a finished end is specified, in which case the A side will be used on the exterior side.
- There is no additional charge for finished ends on this open cabinet.
- Fixed shelf located 34 1/2" from floor.
- Adjustable shelves.
- 4 1/2" high toe kick shipped loose.
- Sides and back will have vertical pattern/grain direction in all door styles.
- Note: Use open finished interior cabinets to achieve a glass door cabinet with a matching finished interior. See Modifications page.



MINIMUM SIZE	
Minimum Depth	4"
Minimum Width	9
Minimum Height	78"
MODIFICATIONS AVAILABLE	
No Modifications	
See Modifications for other available mods and details.	

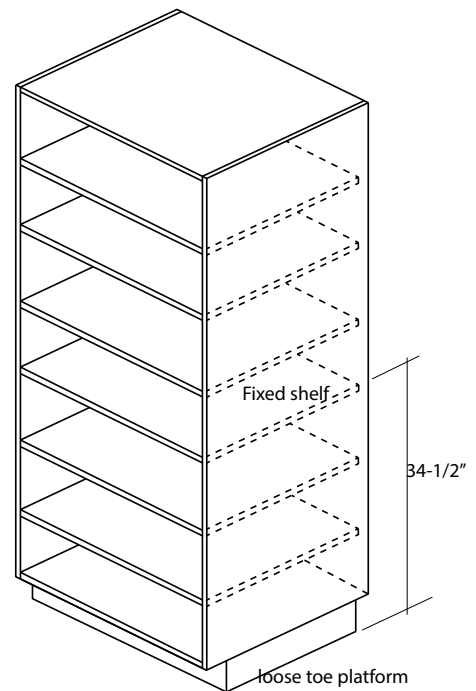
84" HIGH 12" DEEP	87" HIGH 12" DEEP	90" HIGH 12" DEEP	93" HIGH 12" DEEP	96" HIGH 12" DEEP
T0188412	T0188712	T0189012	T0189312	T0189612
T0248412	T0248712	T0249012	T0249312	T0249612
T0308412	T0308712	T0309012	T0309312	T0309612

TALL CABINETS

Tall Open Finished - 24" Deep | T0

84", 87", 90", 93", 96" High x 24" Deep

- Cabinets constructed with 3/4" thick sides, top, bottom, and shelves.
- All interior and exterior surfaces are finished to match.
- Case edge band is real wood veneer 'tape' on wood door orders.
- The A grade side of wood veneers will be placed on the interior side of the cabinet unless a finished end is specified, in which case the A side will be used on the exterior side.
- There is no additional charge for finished ends on this open cabinet.
- Fixed shelf located 34 1/2" from floor.
- Adjustable shelves.
- 4 1/2" high toe kick shipped loose.
- Sides and back will have vertical pattern/grain direction in all door styles.
- Note: Use open finished interior cabinets to achieve a glass door cabinet with a matching finished interior. See Modifications page.



MINIMUM SIZE	
Minimum Depth	4"
Minimum Width	9
Minimum Height	78"
MODIFICATIONS AVAILABLE	
No Modifications	
See Modifications for other available mods and details.	

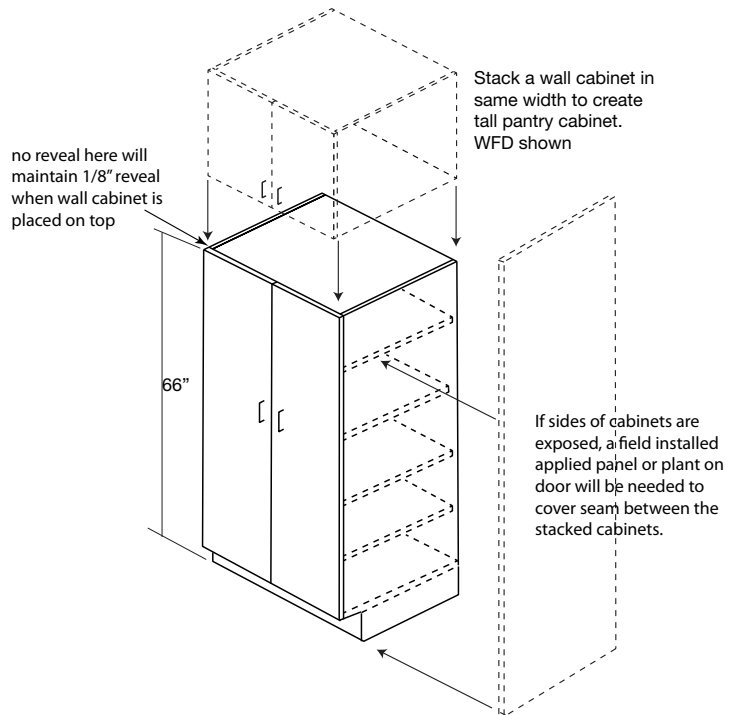
84" HIGH 24" DEEP	87" HIGH 24" DEEP	90" HIGH 24" DEEP	93" HIGH 24" DEEP	96" HIGH 24" DEEP
T0188424	T0188724	T0189024	T0189324	T0189624
T0248424	T0248724	T0249024	T0249324	T0249624
T0308424	T0308724	T0309024	T0309324	T0309624

TALL CABINETS

Stack Pantry Cabinet | SPC

66" High x 24" Deep

- 66" tall cabinet designed to use as a 'base' for creating a taller pantry cabinet; allows for easier transportation in restricted access job sites.
- Select same width wall cabinet to stack on top.
- To achieve overall height of:
 - o 84" add 18" height cabinet.
 - o 87" add 21" height cabinet.
 - o 90" add 24" height cabinet.
 - o 93" add 27" height cabinet.
 - o 96" add 30" height cabinet.
- If cabinet sides will be exposed, use an applied panel or plant on door to cover.

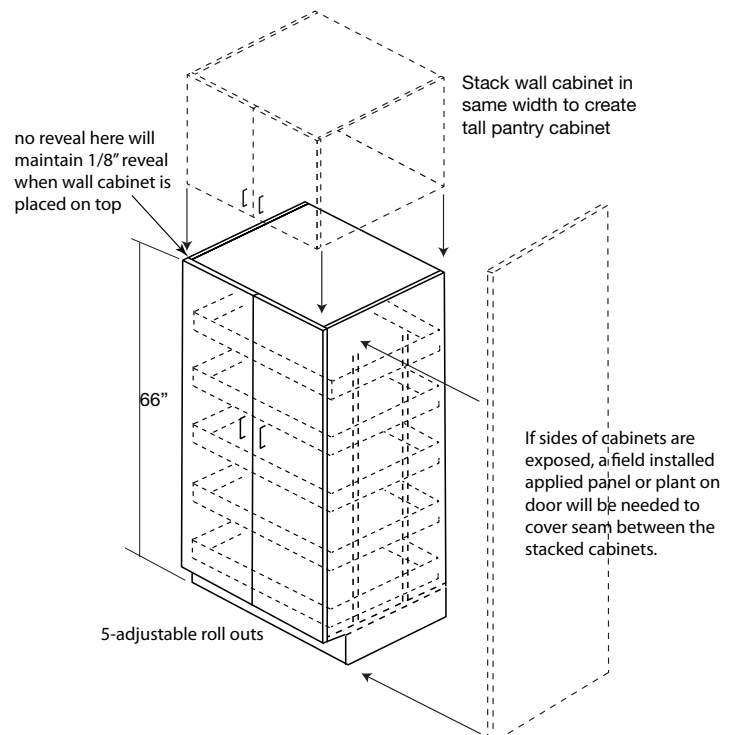


MINIMUM SIZE		66" HIGH 24" DEEP
Minimum Depth	4"	SPC126624
Minimum Width	9	SPC156624
Minimum Height	42"	SPC186624
MODIFICATIONS AVAILABLE		SPC216624
Finished Interior		SPC246624
Frame for Glass Door		SPC276624
Metal Frame Door		SPC306624
See Modifications for other available mods and details.		SPC336624
		SPC366624

Stack Pantry Adjustable Roll-Out | SPCAR

66" High x 24" Deep

- 66" tall cabinet designed to use as a 'base' for creating a taller pantry cabinet; allows for easier transportation in restricted access job sites.
- Select same width wall cabinet to stack on top.
- To achieve overall height of:
 - o 84" add 18" height cabinet.
 - o 87" add 21" height cabinet.
 - o 90" add 24" height cabinet.
 - o 93" add 27" height cabinet.
 - o 96" add 30" height cabinet.
- If cabinet sides will be exposed, use an applied panel or plant on door to cover.



MINIMUM SIZE		66" HIGH 24" DEEP
Minimum Depth	4"	SPCAR126624
Minimum Width	9	SPCAR156624
Minimum Height	66"	SPCAR186624
MODIFICATIONS AVAILABLE		SPCAR216624
No Modifications		SPCAR246624
See Modifications for other available mods and details.		SPCAR276624
		SPCAR306624
		SPCAR336624
		SPCAR366624

TALL CABINETS

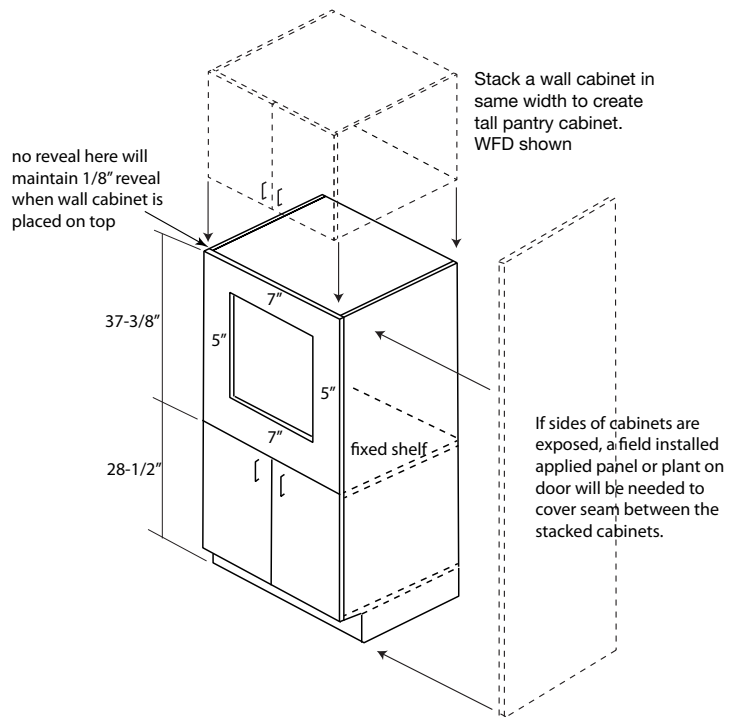
Stack Single Oven | SSO

66" High x 24" Deep

- 66" tall cabinet designed to use as a 'base' for creating a taller oven cabinet; allows for easier transportation in restricted access job sites.
- Select same width wall cabinet to stack on top.
- To achieve overall height of:
 - o 84" add 18" height cabinet.
 - o 87" add 21" height cabinet.
 - o 90" add 24" height cabinet.
 - o 93" add 27" height cabinet.
 - o 96" add 30" height cabinet.
- If cabinet sides will be exposed, use an applied panel or plant on door to cover.

MINIMUM SIZE	
Minimum Depth	4"
Minimum Width	9
Minimum Height	66"
MODIFICATIONS AVAILABLE	
No Modifications	
See Modifications for other available mods and details.	

66" HIGH 24" DEEP
SS0276624
SS0306624
SS0336624



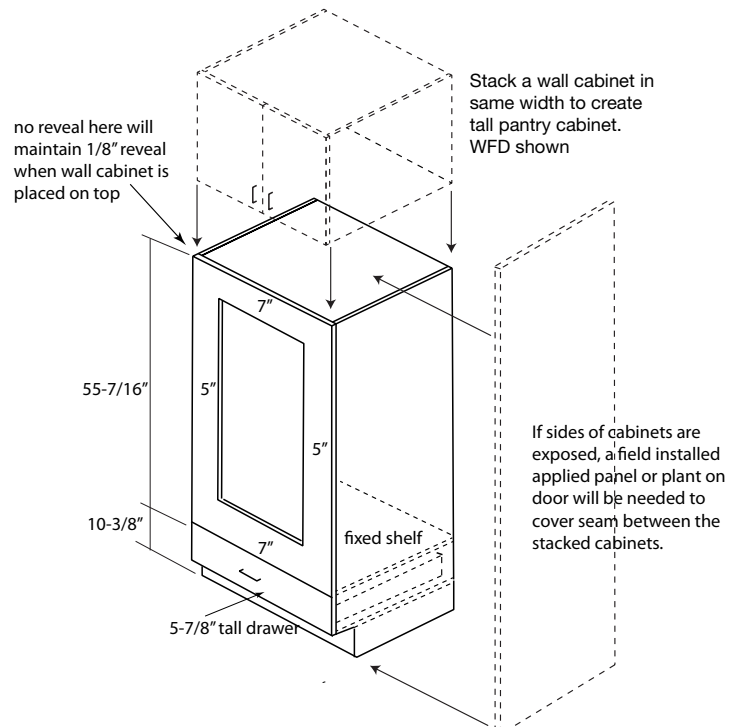
Stack Double Oven | SDO

66" High x 24" Deep

- 66" tall cabinet designed to use as a 'base' for creating a taller pantry cabinet; allows for easier transportation in restricted access job sites.
- Select same width wall cabinet to stack on top.
- To achieve overall height of:
 - o 84" add 18" height cabinet.
 - o 87" add 21" height cabinet.
 - o 90" add 24" height cabinet.
 - o 93" add 27" height cabinet.
 - o 96" add 30" height cabinet.
- If cabinet sides will be exposed, use an applied panel or plant on door to cover.

MINIMUM SIZE	
Minimum Depth	4"
Minimum Width	9
Minimum Height	66"
MODIFICATIONS AVAILABLE	
No Modifications	
See Modifications for other available mods and details.	

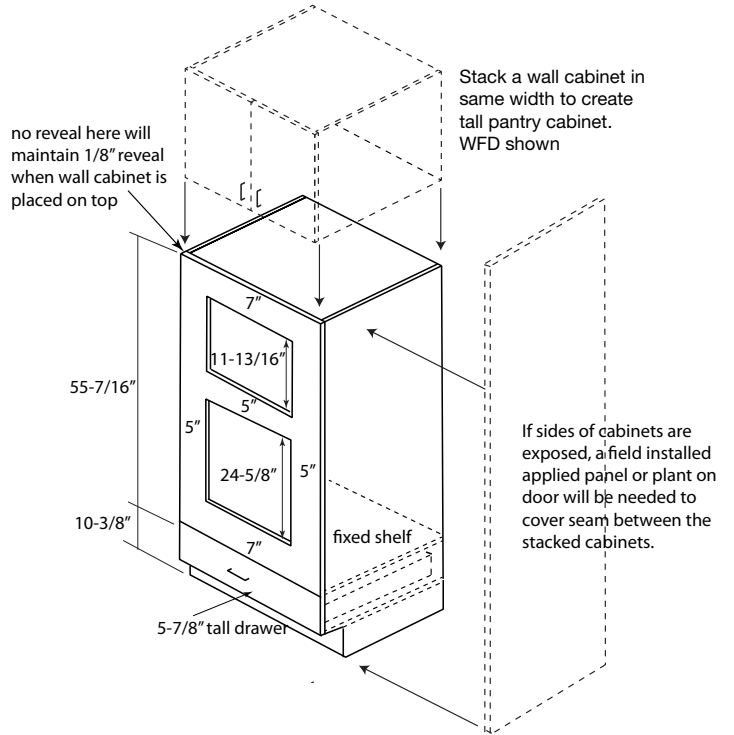
66" HIGH 24" DEEP
SD0276624
SD0306624
SD0336624



TALL CABINETS

Stack Micro With Single Oven | SMWSO 66" High x 24" Deep

- 66" tall cabinet designed to use as a 'base' for creating a taller oven cabinet; allows for easier transportation in restricted access job sites.
- Select same width wall cabinet to stack on top.
- To achieve overall height of:
 - o 84" add 18" height cabinet.
 - o 87" add 21" height cabinet.
 - o 90" add 24" height cabinet.
 - o 93" add 27" height cabinet.
 - o 96" add 30" height cabinet.
- If cabinet sides will be exposed, use an applied panel or plant on door to cover.



MINIMUM SIZE	
Minimum Depth	4"
Minimum Width	9
Minimum Height	66"
MODIFICATIONS AVAILABLE	
No Modifications	
See Modifications for other available mods and details.	

66" HIGH 24" DEEP
SMWSO276624
SMWSO306624
SMWSO336624