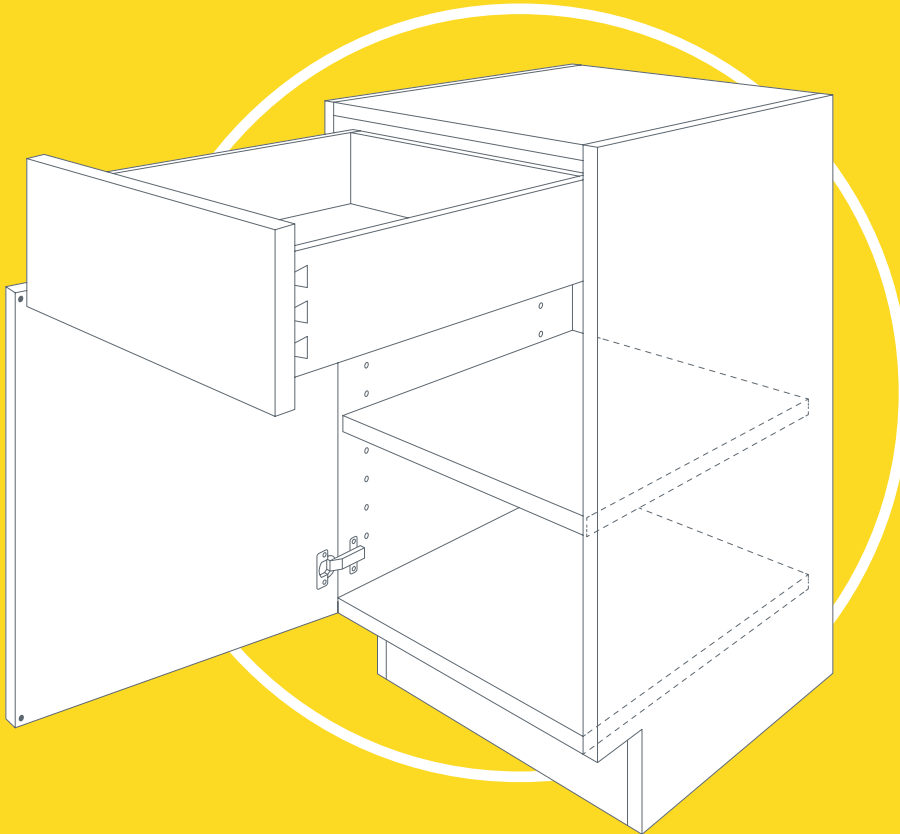




Vanity Cabinet Configurations



CABINET NOMENCLATURE

WFD301824

CABINET TYPE WIDTH HEIGHT DEPTH

ex. W3036 = Wall Cabinet: 30-in wide x 36-in tall
Width x Height x Depth (depth is standard 12-in, so is not noted)

ex. 4BD18 = Four Base Drawer Cabinet: 18-in wide
Height x Depth not noted (these are standard 24-in deep x 34 1/2-in high)

...

BASE CABINETS: Standard 34 1/2-in tall (before countertop) and 24-in deep (not including door/drawer faces).

WALL CABINETS: Standard 12-in depth. Latitude offers an additional standard 15-in depth.

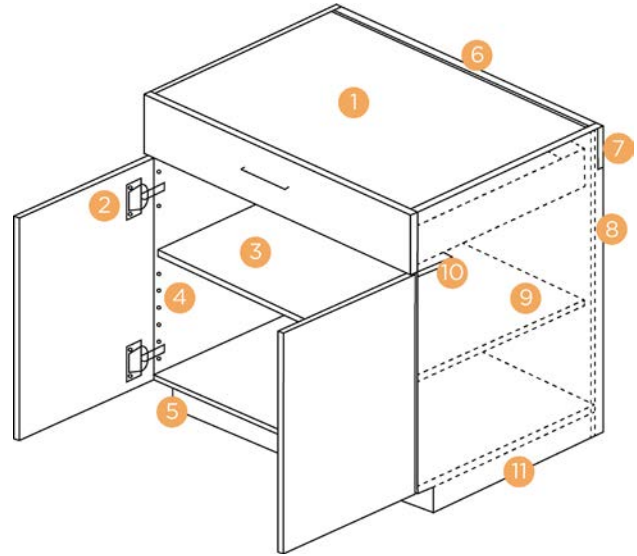
TALL CABINETS: Available in 84, 90, 93, and 96-in heights. 24-in deep with select 12-in deep options.

VANITY CABINETS: Available in 32-in and 34 1/2-in heights (*not including countertop*). Both are 21-in deep.

Cabinet sizing uses a 3-in increment system for width, height, and depth. Latitude Cabinets offers select base and wall cabinets in 1 1/2-in width increments to allow for design flexibility. Height, width, and depth reductions are also available on most cabinets.

VANITY CABINET CONSTRUCTION

1. 3/4" Full Top
2. 110 degree opening, 6-way adjustable soft-close hinges.
3. 3/4" Full depth adjustable shelf rests on steel shelf pins.
4. Adjustable shelving line boring 1 1/4" centers.
5. Integral toe kick 3" deep, 4 1/2" tall, 3/4" frong toe board doweled into sides.
6. 1/4" Back runs to floor.
7. 5/8" x 4 1/2" Fastener glued and doweled.
8. 1/4" Back set in dado joints on side panels.
9. 3/4" Sides doweled into 3/4" sides doweled into 3/4" top and bottom.
10. 3/4" Intermediate stretcher on 2 door cabinet 21 1/4" and wider.
11. 3/4" Floor doweled into sides.



Notes:

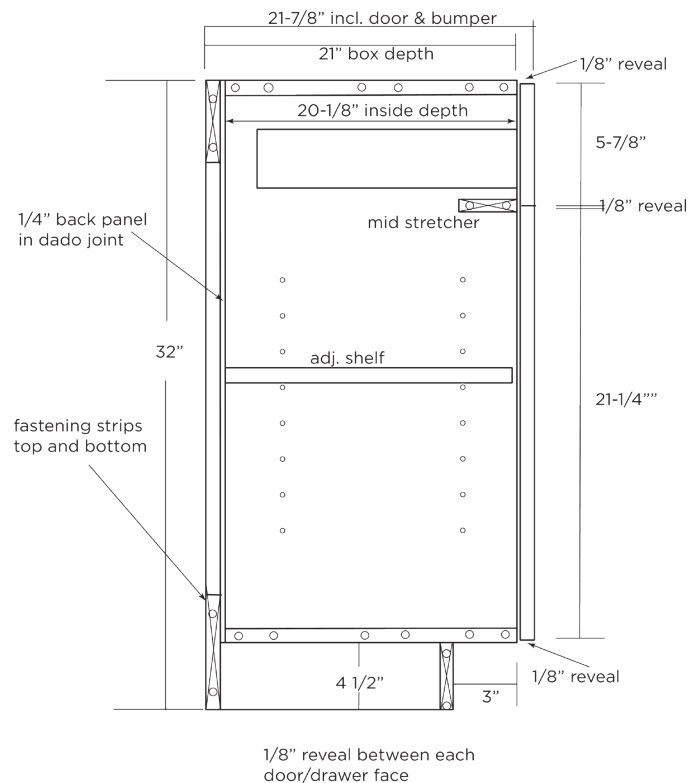
- Vanity cabinets 9-21" wide will have single width door; specify hinge direction.
- Vanity cabinets 24" and wider will have 2 equal width 'butt' doors; reveal or gap between doors will be 1/8" (3mm) once field adjusted.
- Toe kick is built as integral part of the cabinet; the side panels extend to the floor.
- Vanity cabinets 39" & 42" wide will include a 1 1/4" thick full center partition drilled for adjustable shelves on each side.
- Standard white, gray and optional maple melamine interior details – exterior sides and of base cabinets will be raw particleboard unless factory finished ends are specified; all interior surfaces are white or optional maple melamine.
- Plywood option details - exposed sides and top of base cabinets will be unfinished plywood unless factory finished ends are specified; all interior surfaces and shelves are clear coat finished plywood.
- Minimum depth of cabinet with drawer is 12", without drawer is 4"
- CABINET DEPTH = 21", INTERIOR DEPTH = 20-1/8"

DRAWER BOX DEPTHS (FRONT TO BACK):

- Access Drawer:
 - 12-13 1/2" deep cabinets = 9" deep drawer box
 - 14-16 1/2" deep cabinets = 12" deep drawer box
 - 17-19 1/2" deep cabinets = 15" deep drawer box
 - 20-22 1/2" deep cabinets = 18" deep drawer box
 - 23-24" deep cabinets = 21" deep drawer box
- Satino Drawer:
 - 12-13" deep cabinets = 10 1/2" deep drawer box
 - 14" deep cabinets = 11 7/8" deep drawer box
 - 15-16" deep cabinets = 13 3/4" deep drawer box
 - 17-18" deep cabinets = 15 3/4" deep drawer box
 - 19-20" deep cabinets = 17 3/4" deep drawer box
 - 21-22" deep cabinets = 19 5/8" deep drawer box
 - 23-24" deep cabinets = 21 5/8" deep drawer box

DRAWER BOX SIDE HEIGHTS:

- Access Drawer: 4" for standard top drawers, 8" for deep drawers.
- Satino Drawer: all drawers are 4", deep drawer will have an additional galley rail.



1/8" reveal between each door/drawer face

VANITY CABINETS

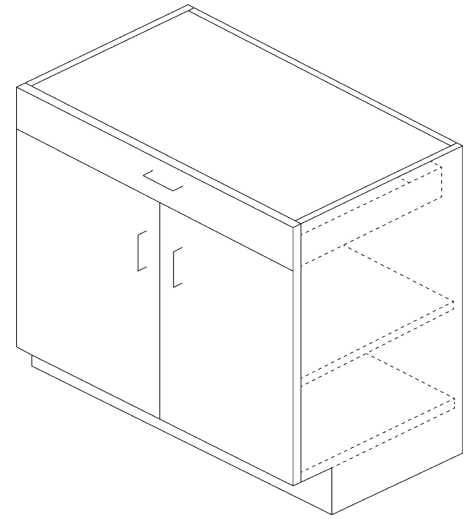
Vanity | V

32" High x 21" Deep

- 1 full width drawer.
- Includes 1 adjustable shelf.
- 12" - 21" will have 1 full width door, specify hinge left or right.
- 24" - 36" will have 2 equal width doors.

MINIMUM SIZE	
Minimum Depth	12"
Minimum Width	9"
Minimum Height	20-1/2"
MODIFICATIONS AVAILABLE	
No Modifications	
See Modifications for other available mods and details.	

32" HIGH 21" DEEP
V12
V15
V18
V21
V24
V27
V30
V33
V36



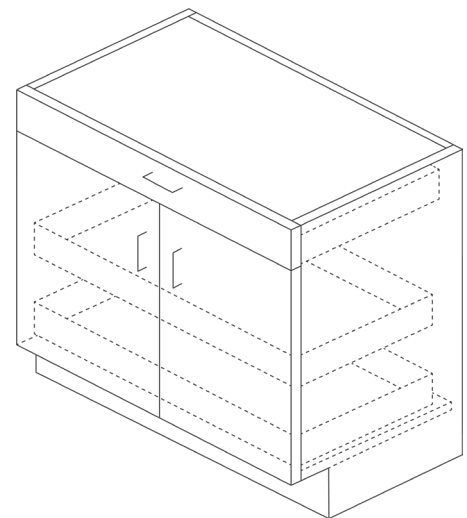
Vanity Roll-Out Drawers | VROD

32" High x 21" Deep

- 1 full width drawer.
- Includes 2 full width roll-outs.
- Roll-outs are full extension and soft close.
- 12" - 21" will have 1 full width door, specify hinge left or right.
- 24" - 36" will have 2 equal width doors.

MINIMUM SIZE	
Minimum Depth	12"
Minimum Width	9"
Minimum Height	28-1/2"
MODIFICATIONS AVAILABLE	
No Modifications	
See Modifications for other available mods and details.	

32" HIGH 21" DEEP
VROD12
VROD15
VROD18
VROD21
VROD24
VROD27
VROD30
VROD33
VROD36



VANITY CABINETS

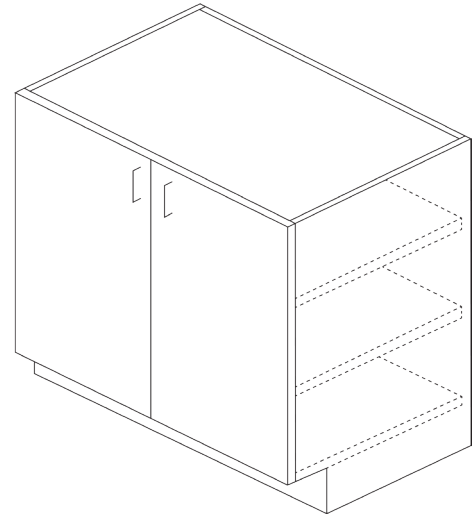
Vanity Full High | VF

32" High x 21" Deep

- Includes 2 adjustable shelves.
- 12" - 21" will have 1 full width, full height door, specify hinge left or right.
- 24" - 36" will have 2 equal width, full height doors.

MINIMUM SIZE	
Minimum Depth	4"
Minimum Width	9"
Minimum Height	20-1/2"
MODIFICATIONS AVAILABLE	
Finished Interior	
Frame for Glass Door	
Metal Frame Door	
See Modifications for other available mods and details.	

32" HIGH 21" DEEP
VF12
VF15
VF18
VF21
VF24
VF27
VF30
VF33
VF36



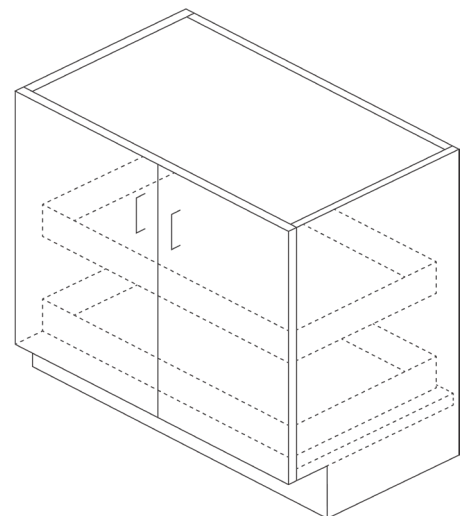
Vanity Full High Roll-Out Drawers | VFR0D

32" High x 21" Deep

- Includes 2 full width roll-outs.
- Roll-outs are full extension and soft close.
- 12" - 21" will have 1 full width, full height door, specify hinge left or right.
- 24" - 36" will have 2 equal width, full height doors.

MINIMUM SIZE	
Minimum Depth	12"
Minimum Width	9"
Minimum Height	28-1/2"
MODIFICATIONS AVAILABLE	
No Modifications	
See Modifications for other available mods and details.	

32" HIGH 21" DEEP
VFR0D12
VFR0D15
VFR0D18
VFR0D21
VFR0D24
VFR0D27
VFR0D30
VFR0D33
VFR0D36



VANITY CABINETS

Vanity Sink | VS

32" High x 21" Deep

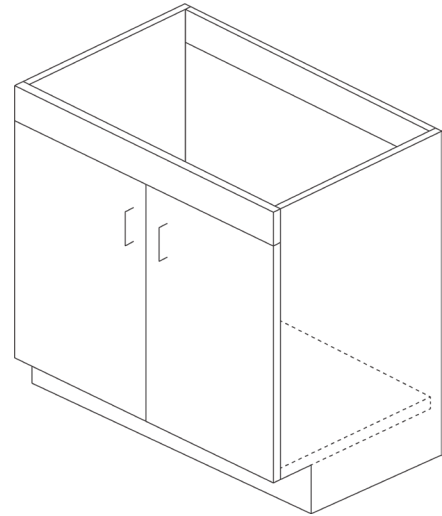
- 1 false drawer front.
- Full back.
- 18" and 21" models have 1 full width door, specify hinge left or right.
- 24" - 36" have 2 equal width doors.

Note:

- Factory Installed Sink Liner available for this cabinet. See Accessories.

MINIMUM SIZE	
Minimum Depth	15"
Minimum Width	18"
Minimum Height	20-1/2"
MODIFICATIONS AVAILABLE	
No Modifications	
See Modifications for other available mods and details.	

32" HIGH 21" DEEP
VS18
VS21
VS24
VS27
VS30
VS33
VS36



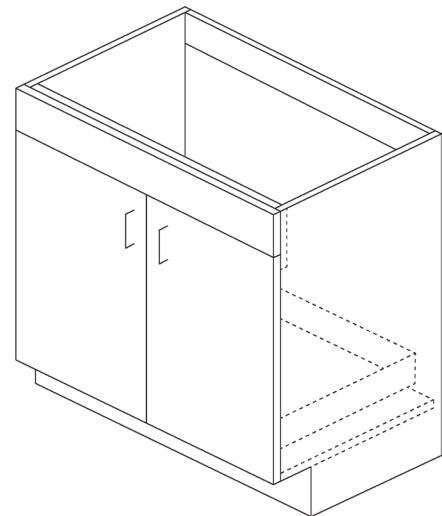
Vanity Sink Roll-Out Drawer | VSR0D

32" High x 21" Deep

- 1 false drawer front.
- Full back.
- Includes 1 full width roll-out.
- Roll-out is full extension and soft close.
- 18" and 21" models have 1 full width door, specify hinge left or right.
- 24" - 36" have 2 equal width doors.

MINIMUM SIZE	
Minimum Depth	15"
Minimum Width	18"
Minimum Height	20-1/2"
MODIFICATIONS AVAILABLE	
No Modifications	
See Modifications for other available mods and details.	

32" HIGH 21" DEEP
VSR0D18
VSR0D21
VSR0D24
VSR0D27
VSR0D30
VSR0D33
VSR0D36



VANITY CABINETS

Vanity Full High Sink | VFS

32" High x 21" Deep

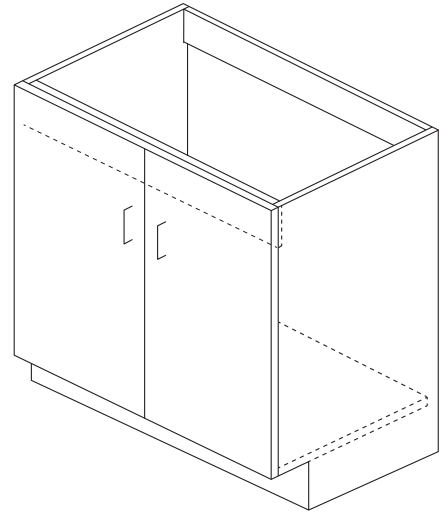
- Full back.
- 6 5/8" high sink fascia at top behind doors. Matches door material.
- 18" thru 21" widths have 1 full width door, specify hinge left or right.
- 24" - 36" have 2 equal width doors.

Note:

- Factory Installed Sink Liner available for this cabinet. See Accessories.

MINIMUM SIZE	
Minimum Depth	15"
Minimum Width	18"
Minimum Height	20-1/2"
MODIFICATIONS AVAILABLE	
No Modifications	
See Modifications for other available mods and details.	

32" HIGH 21" DEEP
VFS18
VFS21
VFS24
VFS27
VFS30
VFS33
VFS36



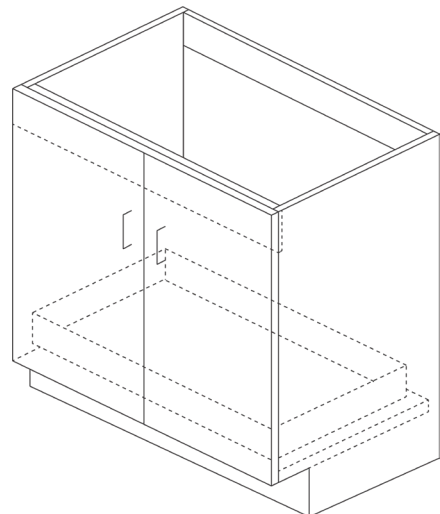
Vanity Full High Sink Roll-Out Drawer | VFSROD

32" High x 21" Deep

- Full back.
- Includes 1 full width roll-out.
- Roll-out is full extension and soft close.
- 6 5/8" high sink fascia at top behind doors.
- 18" and 21" models have 1 full width door, specify hinge left or right.
- 24" - 36" have 2 equal width doors.

MINIMUM SIZE	
Minimum Depth	15"
Minimum Width	18"
Minimum Height	20-1/2"
MODIFICATIONS AVAILABLE	
No Modifications	
See Modifications for other available mods and details.	

32" HIGH 21" DEEP
VFSROD18
VFSROD21
VFSROD24
VFSROD27
VFSROD30
VFSROD33
VFSROD36

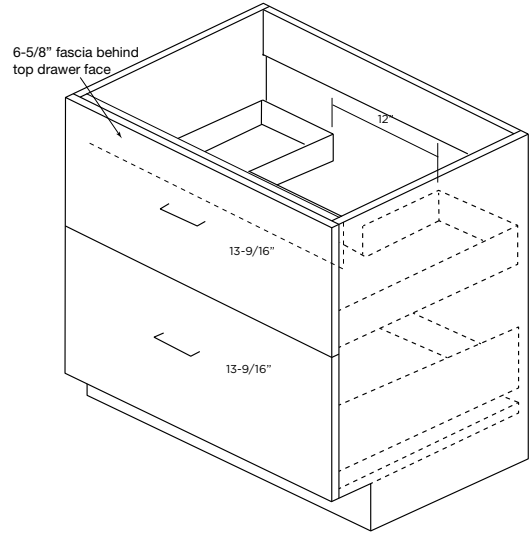


VANITY CABINETS

Vanity Sink Two Base Drawer | VS2BD

32" High x 21" Deep

- Sink base designed to provide clean continuous styling of deep drawer cabinets.
- Drawer faces align with standard 2BD cabinets.
- Top drawer face connects to a 'U' shaped drawer to not interfere with sink or plumbing and provide easy access to small cleanser and bottle storage. 4" drawer side heights are used.
- The usable storage space is 4" in width, all three sections of the top drawer. 6" clearance to the bottom of the fascia behind the drawer face.
- 10" height clearance from top edge of top drawer to top of cabinet.
- Bottom drawer is a full drawer with 8" tall sides that angle down to 4" height in the back to clear plumbing. Usable storage height is approx. 10 1/2".
- Clearance width for plumbing on top drawer is 12" .
- It is responsibility of designer to verify clearances needed to assure a proper fit.



Note:

- Distance between legs of top drawer will be 12" on all vanity cabinet widths.

MINIMUM SIZE	
Minimum Depth	15"
Minimum Width	24"
Minimum Height	20-1/2"
MODIFICATIONS AVAILABLE	
No Modifications	
See Modifications for other available mods and details.	

32" HIGH 21" DEEP
VS2BD24
VS2BD27
VS2BD30

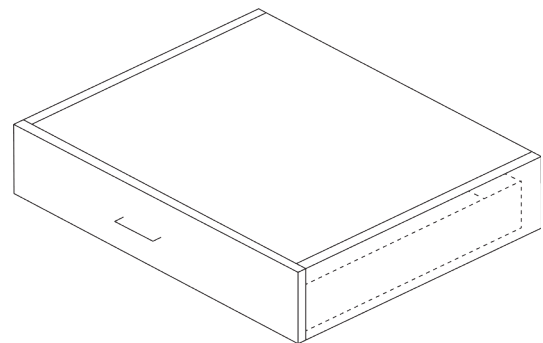
Vanity Knee Drawer | VKD

6 1/8" High x 21" Deep

- Vanity desk drawer cabinet.
- Drawer front height – 5 7/8".
- Cabinet box height – 6 1/8".
- Solid top.

MINIMUM SIZE	
Minimum Depth	12"
Minimum Width	12"
Minimum Height	No Mods
MODIFICATIONS AVAILABLE	
No Modifications	
See Modifications for other available mods and details.	

6 1/8" HIGH 21" DEEP
VKD24
VKD27
VKD30
VKD33
VKD36



VANITY CABINETS

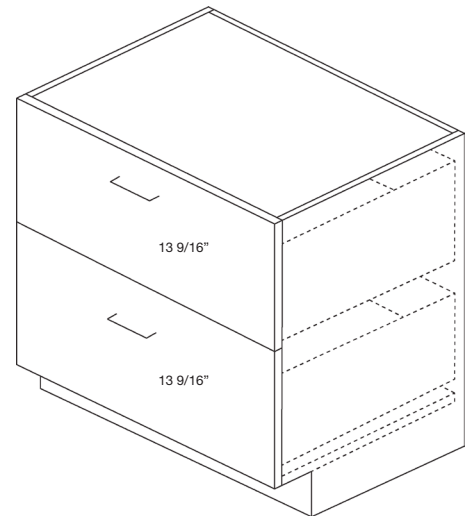
Two Vanity Drawer | 2VD

32" High x 21" Deep

- 12" - 24" will have 2 equal width drawers.
- Drawer Front Heights = 13 9/16".
- Drawers are 8" tall side heights on Access drawer; Satino drawer will have galley rails.

MINIMUM SIZE	
Minimum Depth	12"
Minimum Width	9"
Minimum Height	20-1/2"
MODIFICATIONS AVAILABLE	
No Modifications	
See Modifications for other available mods and details.	

32" HIGH 21" DEEP
2VD12
2VD13.5
2VD15
2VD16.5
2VD18
2VD19.5
2VD21
2VD24



Three Vanity Drawer | 3VD

32" High x 21" Deep

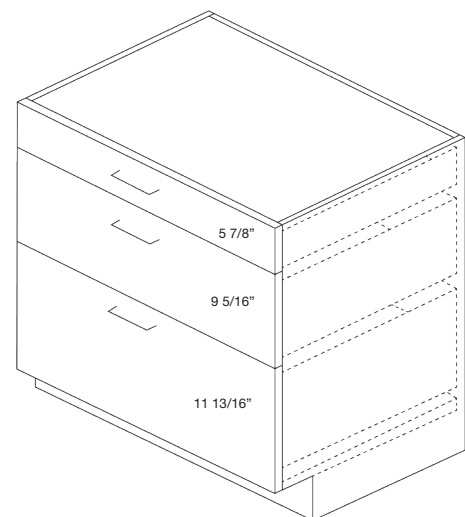
- Top drawer front height – 5 7/8".
- Second drawer front height – 9 5/16".
- Third drawer front height – 11 13/16".

Note:

- Satino drawer option- drawer side height is 4" on top and middle drawer; bottom drawer will have 2 sets of galley rails for a total height of 10".

MINIMUM SIZE	
Minimum Depth	12"
Minimum Width	9"
Minimum Height	28-1/2"
MODIFICATIONS AVAILABLE	
No Modifications	
See Modifications for other available mods and details.	

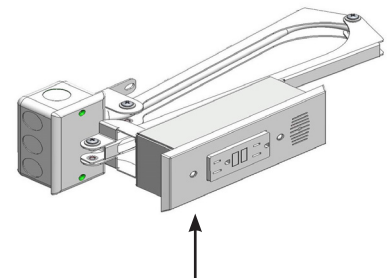
32" HIGH 21" DEEP
3VD12
3VD13.5
3VD15
3VD16.5
3VD18
3VD19.5
3VD21
3VD24



VANITY CABINETS

Outlet Docking Drawer Insert Vanity Cabinet | 3VDOI, 3BHVD0I, 3VDWHOI

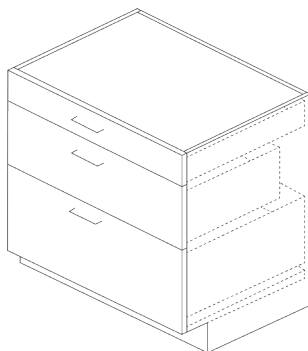
- These vanity cabinets include a factory installed powered 120 V docking station called 'Docking Drawer'.
- Top Drawer Front Height: 5 7/8".
- **3VDOI, 3BHVD0I** - Middle Drawer Front Height: 9 3/8".
- **3VDWHOI** - Middle Drawer Front Height: 5 7/8".
- Bottom Drawer Front Height: 11 13/16".
- Docking Drawer is a UL approved purpose-built unit providing a safe and clutter free solution for powering typical vanity devices (up to 20 amps) such as curling irons and hair dryers.
- **3VDOI, 3BHVD0I** - The Outlet Docking Drawer is factory installed into the middle drawer. **3VDWHOI** Outlet Docking Drawer is factory installed from a 120 V source into the J-box (included) of the Outlet Docking Drawer unit, which will be out of site, behind the drawer.
- Unit is ETL listed to UL962a & CSA-C22.2 standards.
- Built in circuit breaker.
- Two 120 V GFI AC outlets.
- **3VDOI, 3BHVD0I** - The middle drawer box including the Docking Drawer unit will be 15" deep instead of standard 18" drawer for 21" deep vanity cabinets. This provides the clearance needed for the cord management pivot arm. Pivot arm keeps power chord from binding as drawer is opened and closed; tested to 500,000 cycles.
- **3VDWHOI** - Same except bottom drawer box.
- Docking Drawer installed in left corner of drawer. Drawer can be removed from cabinet by first removing face cover plate.



- Cover plate is black. Only the black face plate and re-set button will show inside the drawer, all other parts are concealed behind the drawer.

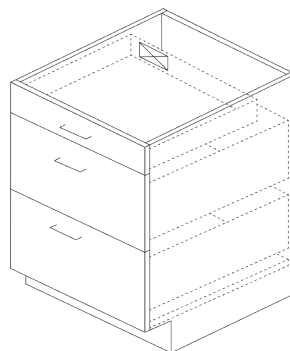
MINIMUM SIZE
No Modifications
MODIFICATIONS AVAILABLE
No Modifications

24" HIGH
3VDOI15
3VDOI6.5
3VDOI18



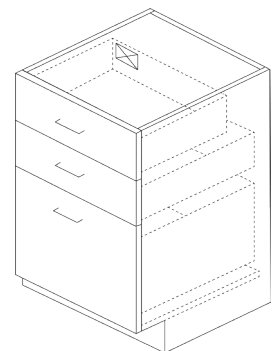
- Standard 21" deep three drawer vanity.
- Middle drawer will be 15" deep.
- Outlet Docking Drawer factory installed.

24" HIGH
3BHVD0I15
3BHVD0I16.5
3BHVD0I18



- Standard 21" deep BASE HEIGHT three drawer vanity.
- Middle drawer will be 15" deep.
- Outlet Docking Drawer factory installed.

24" HIGH
3VDWHOI15
3VDWHOI16.5
3VDWHOI18



- Standard 21" deep WALL HUNG three drawer vanity.
- Bottom drawer will be 15" deep.
- Outlet Docking Drawer factory installed.

VANITY CABINETS

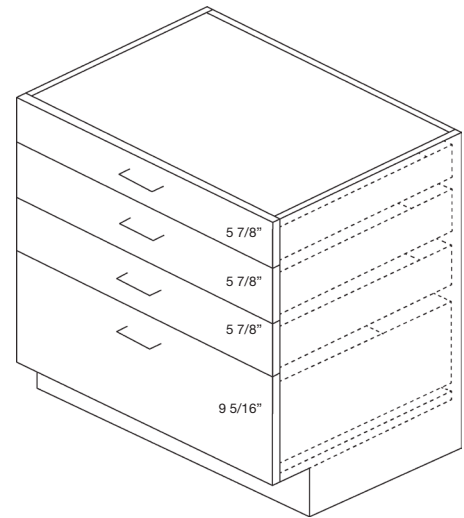
Four Vanity Drawer | 4VD

32" High x 21" Deep

- Top drawer front height – 5 7/8".
- Second drawer front height – 5 7/8".
- Third drawer front height – 5 7/8".
- Fourth drawer front height – 9 5/16".

MINIMUM SIZE	
Minimum Depth	12"
Minimum Width	9"
Minimum Height	28-1/2"
MODIFICATIONS AVAILABLE	
No Modifications	
See Modifications for other available mods and details.	

32" HIGH 21" DEEP
4VD12
4VD13.5
4VD15
4VD16.5
4VD18
4VD19.5
4VD21
4VD24



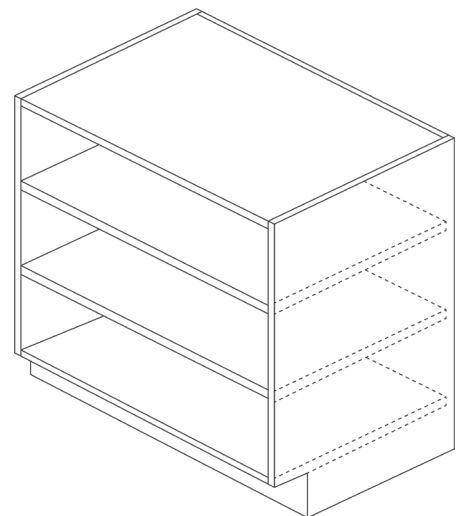
Vanity Open | VO

32" High x 21" Deep

- 3/4" material construction with finished interior and exterior.
- Two adjustable shelves included.
- Specify no charge factory finished ends if exposed side.

MINIMUM SIZE	
Minimum Depth	4"
Minimum Width	9"
Minimum Height	10"
MODIFICATIONS AVAILABLE	
No Modifications	
See Modifications for other available mods and details.	

32" HIGH 21" DEEP
VO12
VO15
VO18
VO21
VO24
VO27
VO30
VO33
VO36



VANITY CABINETS

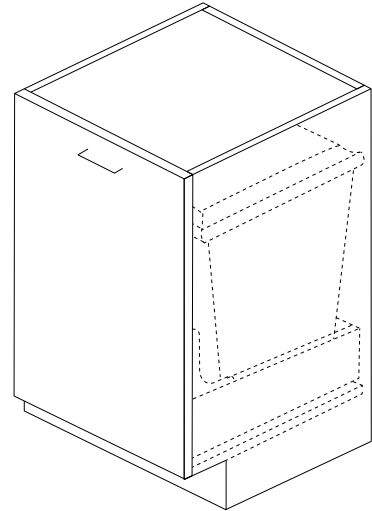
Vanity Full High Hamper Pull-Out Door | VFHP0

32" High x 21" Deep

- 18" wide Vanity Full High, no top drawer.
- Includes removable hamper bin with lid
- Bin sets in hardwood dovetailed drawer box supported with full extension heavy duty soft-close guides.

MINIMUM SIZE
No Modifications
MODIFICATIONS AVAILABLE
No Modifications

32" HIGH 21" DEEP
VFHP018



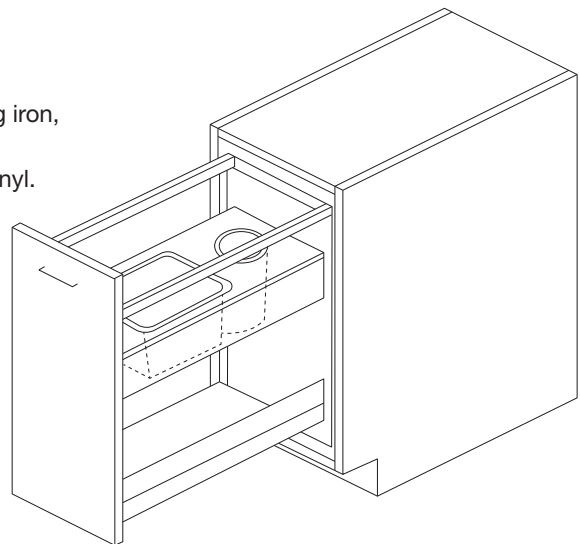
Vanity Grooming Organizer | VGO

32" High x 21" Deep

- Vanity Full High 12" width only, no top drawer.
- Door attached to full extension soft-close pull out unit.
- Top shelf includes two stainless steel bins for storing hairdryer, curling iron, or other frequently used items. Shelf is adjustable in height.
- Bottom shelf is also adjustable and features a non-skid wood grain vinyl.
- Side skirts are frosted polycarbonate.

MINIMUM SIZE
No Modifications
MODIFICATIONS AVAILABLE
No Modifications

32" HIGH 21" DEEP
VGO12



VANITY CABINETS

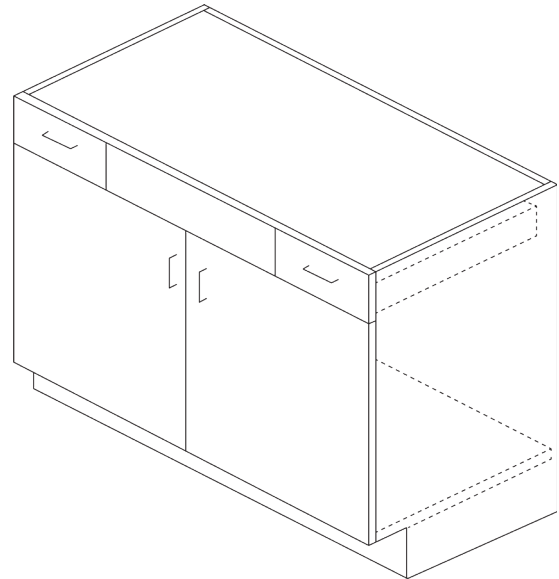
Vanity Combination I VC

32" High x 21" Deep

- False drawer front between two active drawers. All 5-7/8" height.
- 2 equal width doors. Full back.
- Designed for sink to fit in center.
- Cabinet widths – 36"-42"-9" drawers.
- Cabinet widths – 45"-48"-12" drawers.
- Full top construction, cut opening on site.

MINIMUM SIZE	
Minimum Depth	15"
Minimum Width	No Mods
Minimum Height	No Mods
MODIFICATIONS AVAILABLE	
No Modifications	
See Modifications for other available mods and details.	

32" HIGH 21" DEEP
VC36
VC39
VC42
VC45
VC48



Vanity Combination Two Drawer I VC2D

32" High x 21" Deep

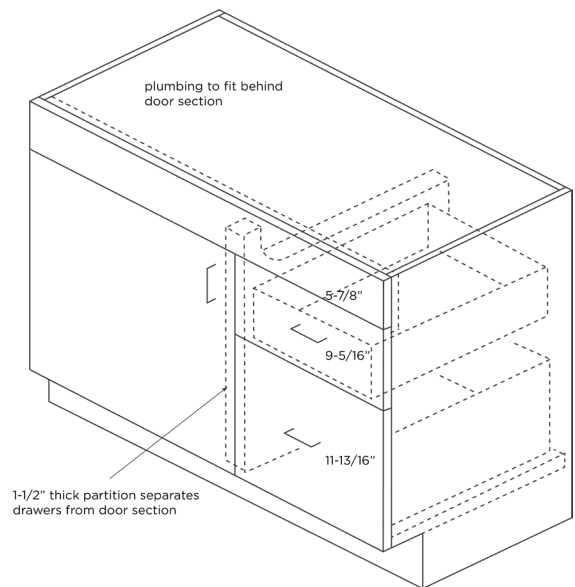
- Full width false sink front.
- VC2D – 2 active drawers, specify hinge left or right. Hinge Left shown.
- False front height is 5 7/8"
- Top Drawer Front Height: 9 3/8".
- Bottom Drawer Front Height: 9 5/16".
- Built with a full top, cut sink hole on job site.

Note:

- Satino drawer option- drawer side height is 4" on top and middle drawer; bottom drawer will have 2 sets of galley rails for a total height of 10"

MINIMUM SIZE	
Minimum Depth	15"
Minimum Width	No Mods
Minimum Height	No Mods
MODIFICATIONS AVAILABLE	
No Modifications	
See Modifications for other available mods and details.	

32" HIGH 21" DEEP
VC2D30
VC2D33
VC2D36
VC2D39
VC2D42
VC2D45
VC2D48



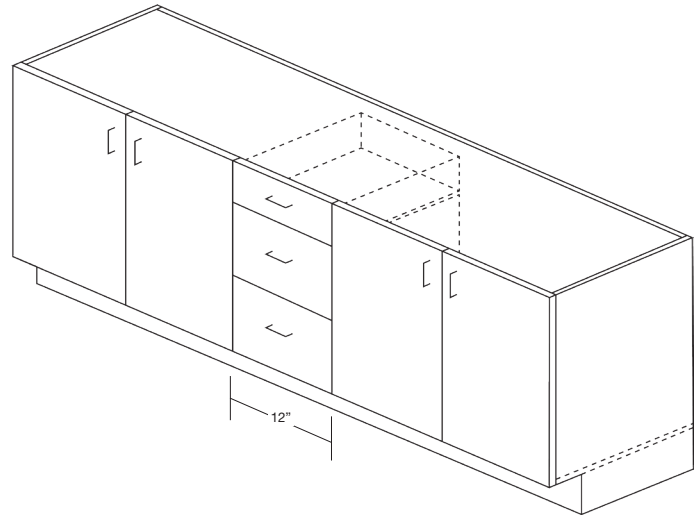
CLEARANCE CHART		
CABINET	DOOR WIDTH	DRAWER WIDTH
30"	18"	12"
33"	21"	12"
36"	21"	15"
39"	24"	15"
42"	24"	18"
45"	2 @ 13 1/2"	18"
48"	2 @ 15"	18"

VANITY CABINETS

Vanity Full High Sink Three Drawer | V2FS3D

32" High x 21" Deep

- Cabinet built as single unit.
- Designed for 2 sinks.
- 12" wide 3 drawer stack in the center. Drawer front heights are: 5-7/8", 9-3/8", 11-13/16".
- 60" = 24" sink space.
- 66" = 27" sink space
- 72" = 30" sink space.
- Full top construction, cut opening on site.



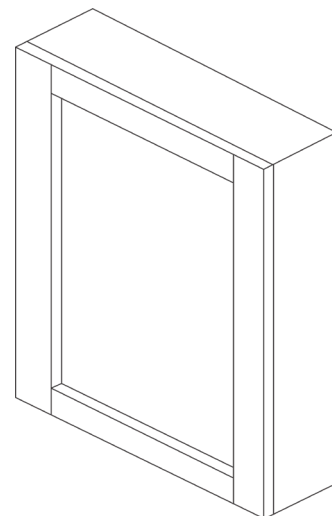
MINIMUM SIZE	
Minimum Depth	15"
Minimum Width	No Mods
Minimum Height	28-1/2"
MODIFICATIONS AVAILABLE	
No Modifications	
See Modifications for other available mods and details.	

32" HIGH 21" DEEP
V2FS3D60
V2FS3D66
V2FS3D72

Surface Medicine Cabinet | SMC

30", 36" High x 4" Deep

- 4" deep wall cabinet.
- Adjustable shelves.
- Single full width door.
- Specify hinge left or right.
- Specify finished ends (not included).
- Three adjustable shelves included.
- For field install mirror, modify door to Frame A.



MINIMUM SIZE	
Minimum Depth	4"
Minimum Width	9"
Minimum Height	10"
MODIFICATIONS AVAILABLE	
Finished Interior	
Frame for Glass Door	
Metal Frame Door	
See Modifications for other available mods and details.	

30" HIGH 4" DEEP
SMC1530
SMC1830
SMC2130

36" HIGH 4" DEEP
SMC1536
SMC1836
SMC2136

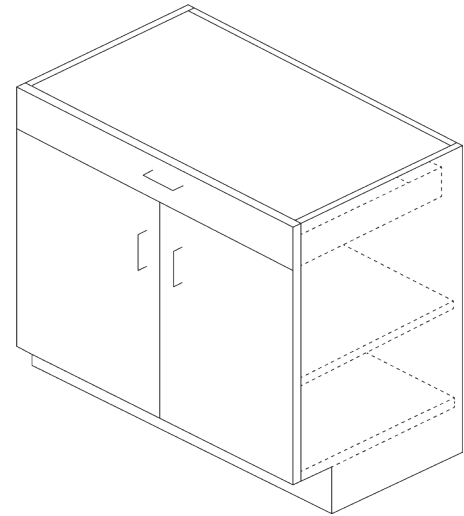
Base High Vanity | BHV

34-1/2" High x 21" Deep

- 1 full width drawer.
- 12" - 21" will have 1 full width door, specify hinge left or right.
- 24" - 36" will 2 equal width doors.
- 1 adjustable shelf.

MINIMUM SIZE	
Minimum Depth	12"
Minimum Width	9"
Minimum Height	20-1/2"
MODIFICATIONS AVAILABLE	
No Modifications	
See Modifications for other available mods and details.	

34-1/2" HIGH 21" DEEP
BHV12
BHV15
BHV18
BHV21
BHV24
BHV27
BHV30
BHV33
BHV36



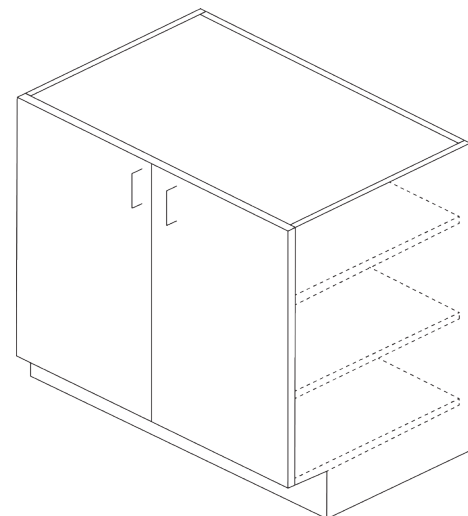
Base High Vanity Full High | BHVF

34-1/2" High x 21" Deep

- 12" - 21" will have 1 full width door, specify hinge left or right.
- 24" - 36" will 2 equal width doors.
- 2 adjustable shelves.

MINIMUM SIZE	
Minimum Depth	4"
Minimum Width	9"
Minimum Height	20-1/2"
MODIFICATIONS AVAILABLE	
Finished Interior	
Frame for Glass Door	
Metal Frame Door	
See Modifications for other available mods and details.	

34-1/2" HIGH 21" DEEP
BHVF12
BHVF15
BHVF18
BHVF21
BHVF24
BHVF27
BHVF30
BHVF33
BHVF36



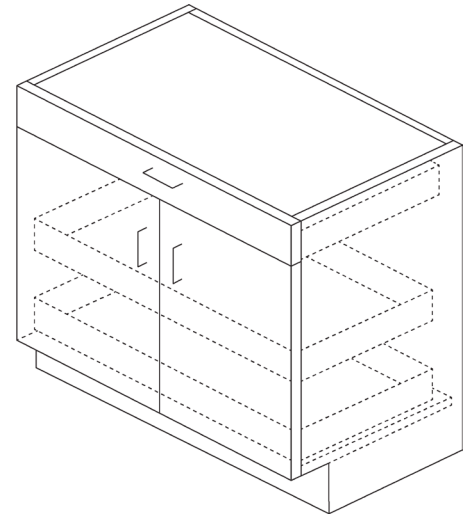
Base High Vanity Full High Roll-Out Drawers | BHVROD

34-1/2" High x 21" Deep

- 1 full width drawer.
- 12" - 21" will have 1 full width door, specify hinge left or right.
- 24" - 36" will 2 equal width doors.
- Includes 2 full width roll-outs.
- Roll-outs are full extension and soft close.

MINIMUM SIZE	
Minimum Depth	12"
Minimum Width	9"
Minimum Height	28-1/2"
MODIFICATIONS AVAILABLE	
No Modifications	
See Modifications for other available mods and details.	

34-1/2" HIGH 21" DEEP
BHVROD12
BHVROD15
BHVROD18
BHVROD21
BHVROD24
BHVROD27
BHVROD30
BHVROD33
BHVROD36



Base High Vanity Sink | BHVS

34-1/2" High x 21" Deep

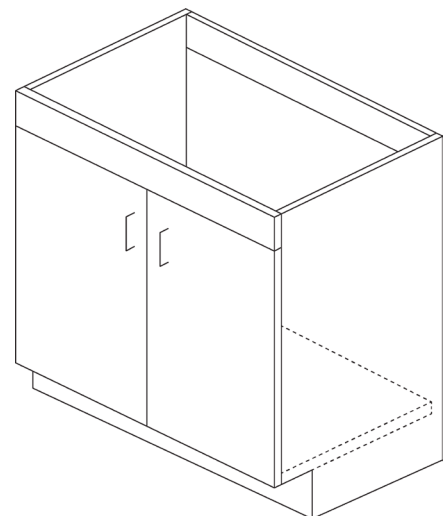
- 1 false drawer front.
- Full back.
- 18" and 21" models have 1 full width door, specify hinge left or right.
- 24" - 36" will have 2 equal width doors.

Note:

- Factory Installed Sink Liner available for this cabinet. See Accessories.

MINIMUM SIZE	
Minimum Depth	15"
Minimum Width	18"
Minimum Height	20-1/2"
MODIFICATIONS AVAILABLE	
No Modifications	
See Modifications for other available mods and details.	

34-1/2" HIGH 21" DEEP
BHVS18
BHVS21
BHVS24
BHVS27
BHVS30
BHVS33
BHVS36



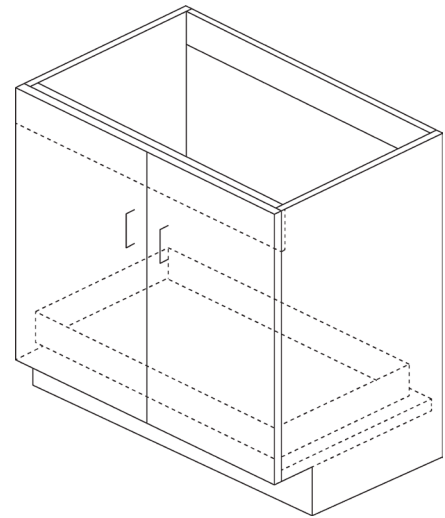
Base High Vanity Sink Roll-Out Drawer | BHVSROD

34-1/2" High x 21" Deep

- 1 false drawer front.
- Full back.
- Includes 1 full width roll-out.
- Roll-out is full extension and soft close.
- 18" and 21" models have 1 full width door, specify hinge left or right.
- 24" - 36" will have 2 equal width doors.

MINIMUM SIZE	
Minimum Depth	15"
Minimum Width	18"
Minimum Height	20-1/2"
MODIFICATIONS AVAILABLE	
No Modifications	
See Modifications for other available mods and details.	

34-1/2" HIGH 21" DEEP
BHVSROD18
BHVSROD21
BHVSROD24
BHVSROD27
BHVSROD30
BHVSROD33
BHVSROD36



Base High Vanity Sink Full High | BHVFS

34-1/2" High x 21" Deep

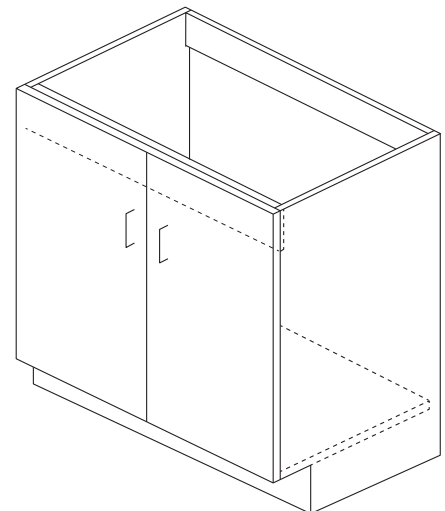
- Full back.
- 6 5/8" high sink fascia at top behind doors. Matches door material and color.
- 18" and 21" models have 1 full width door, specify hinge left or right.
- 24" - 36" will have 2 equal width doors.

Note:

- Factory Installed Sink Liner available for this cabinet. See Accessories.

MINIMUM SIZE	
Minimum Depth	15"
Minimum Width	18"
Minimum Height	20-1/2"
MODIFICATIONS AVAILABLE	
No Modifications	
See Modifications for other available mods and details.	

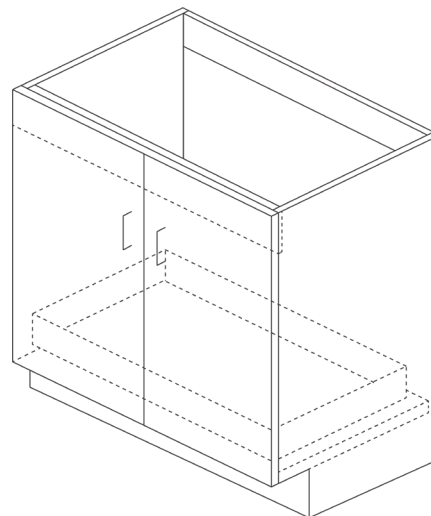
34-1/2" HIGH 21" DEEP
BHVFS18
BHVFS21
BHVFS24
BHVFS27
BHVFS30
BHVFS33
BHVFS36



Base High Vanity Sink Full High Roll-Out Drawer | BHVFSROD

34-1/2" High x 21" Deep

- Full back.
- Includes 1 full width roll-out.
- Roll-out is full extension and soft close.
- Standard cabinet depth – 21".
- 6 5/8" high sink fascia at top behind doors. Matches door material and color.
- 18" and 21" models have 1 full width door, specify hinge left or right.
- 24" - 36" will have 2 equal width doors.



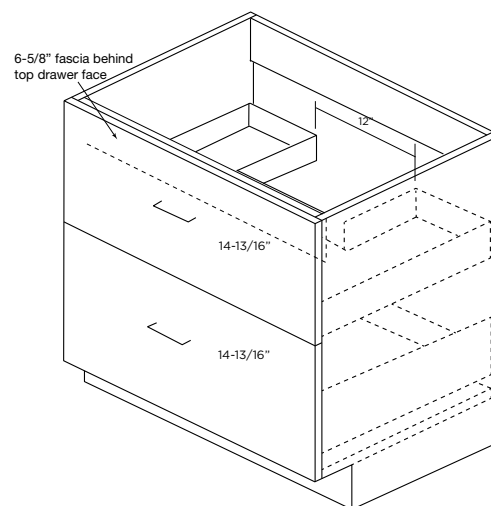
MINIMUM SIZE	
Minimum Depth	15"
Minimum Width	18"
Minimum Height	20-1/2"
MODIFICATIONS AVAILABLE	
No Modifications	
See Modifications for other available mods and details.	

34-1/2" HIGH 21" DEEP
BHVSROD18
BHVSROD21
BHVSROD24
BHVSROD27
BHVSROD30
BHVSROD33
BHVSROD36

Base High Vanity Sink Two Base Drawer | BHVS2BD

34-1/2" High x 21" Deep

- Sink base designed to provide clean continuous styling of deep drawer cabinets.
- Drawer faces align with standard 2BD cabinets.
- Top drawer face connects to a 'U' shaped drawer to not interfere with sink or plumbing and provide easy access to small cleanser and bottle storage. 4" drawer side heights are used.
- The usable storage space is 4" in width, all three sections of the top drawer. 6" clearance to the bottom of the fascia behind the drawer face.
- 10" height clearance from top edge of top drawer to top of cabinet.
- Bottom drawer is a full drawer with 8" tall sides that angle down to 4" height in the back to clear plumbing. Usable storage height is approx. 10 1/2".
- Clearance width for plumbing on top drawer is 12".
- It is responsibility of designer to verify clearances needed to assure a proper fit.



MINIMUM SIZE	
Minimum Depth	15"
Minimum Width	18"
Minimum Height	20-1/2"
MODIFICATIONS AVAILABLE	
No Modifications	
See Modifications for other available mods and details.	

34-1/2" HIGH 21" DEEP
BHVS2BD24
BHVS2BD27
BHVS2BD30

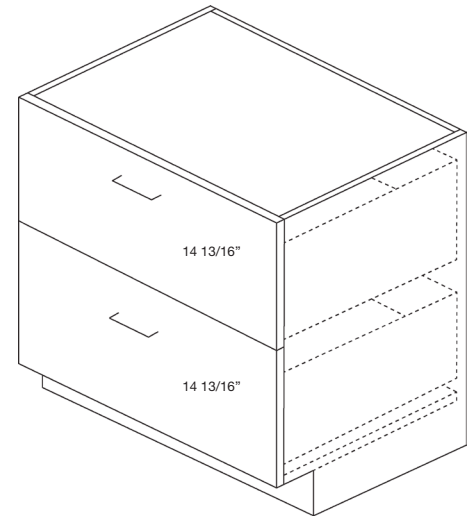
Two Base High Vanity Drawer | 2BHVD

34-1/2" High x 21" Deep

- 12" - 24" will have 2 equal width drawers.
- 14 13/16" Drawer front heights.
- Drawers are 8" tall side heights on Access drawer; Satino drawer will have galley rails.

MINIMUM SIZE	
Minimum Depth	12"
Minimum Width	9"
Minimum Height	20-1/2"
MODIFICATIONS AVAILABLE	
No Modifications	
See Modifications for other available mods and details.	

34-1/2" HIGH 21" DEEP
2BHVD12
2BHVD13.5
2BHVD15
2BHVD16.5
2BHVD18
2BHVD19.5
2BHVD21
2BHVD24



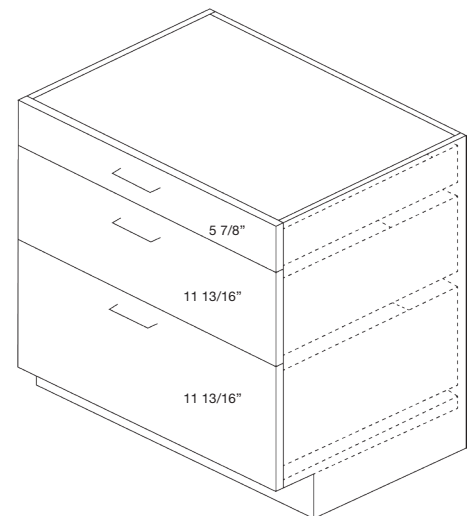
Three Base High Vanity Drawer | 3BHVD

34-1/2" High x 21" Deep

- Top drawer front height – 5 7/8".
- Second drawer front height – 11 13/16".
- Third drawer front height – 11 13/16".

MINIMUM SIZE	
Minimum Depth	12"
Minimum Width	9"
Minimum Height	28-1/2"
MODIFICATIONS AVAILABLE	
No Modifications	
See Modifications for other available mods and details.	

34-1/2" HIGH 21" DEEP
3BHVD12
3BHVD13.5
3BHVD15
3BHVD16.5
3BHVD18
3BHVD19.5
3BHVD21
3BHVD24



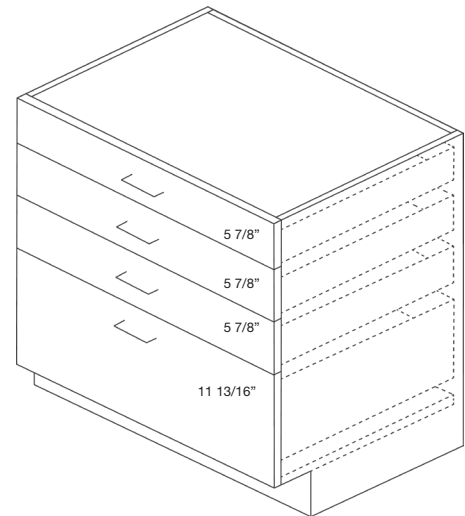
Four Base High Vanity Drawer | 4BHVD

34-1/2" High x 21" Deep

- Top drawer front height – 5 7/8".
- Second drawer front height – 5 7/8".
- Third drawer front height – 5 7/8".
- Fourth drawer front height – 11 13/16".

MINIMUM SIZE	
Minimum Depth	12"
Minimum Width	9"
Minimum Height	28-1/2"
MODIFICATIONS AVAILABLE	
No Modifications	
See Modifications for other available mods and details.	

34-1/2" HIGH 21" DEEP
4BHVD12
4BHVD13.5
4BHVD15
4BHVD16.5
4BHVD18
4BHVD19.5
4BHVD21
4BHVD24



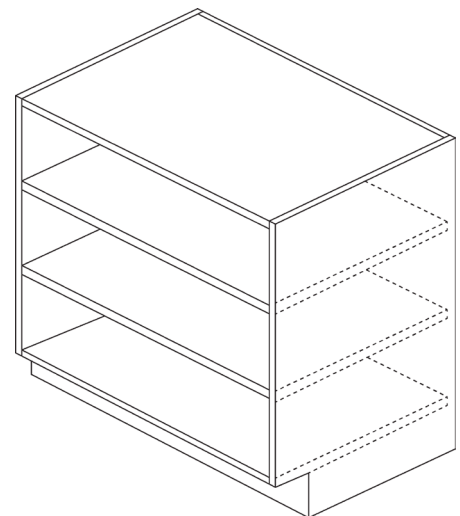
Base High Vanity Open | BHVO

34-1/2" High x 21" Deep

- 3/4" material construction with finished interior and exterior.
- Two adjustable shelves included.
- Specify no charge factory finished ends if exposed side.

MINIMUM SIZE	
Minimum Depth	4"
Minimum Width	9"
Minimum Height	20-1/2"
MODIFICATIONS AVAILABLE	
No Modifications	
See Modifications for other available mods and details.	

34-1/2" HIGH 21" DEEP
BHV012
BHV015
BHV018
BHV021
BHV024
BHV027
BHV030
BHV033
BHV036



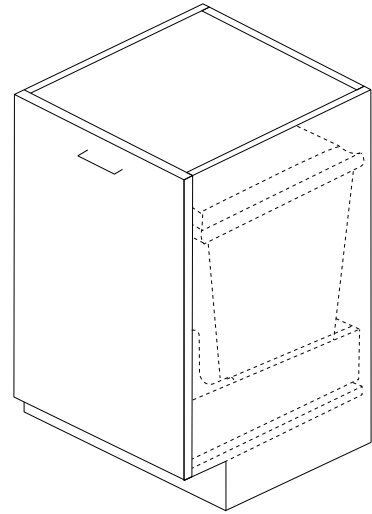
Base Vanity Full High Hamper Pull-Out Door | BHVFHPO

34 1/2" High x 21" Deep

- 18" wide Vanity Full High, no top drawer.
- Includes removable hamper bin with lid
- Bin sets in hardwood dovetailed drawer box supported with full extension heavy duty soft-close guides.

MINIMUM SIZE
No Modifications
MODIFICATIONS AVAILABLE
No Modifications

34 1/2" HIGH 21" DEEP
BHVFHPO18



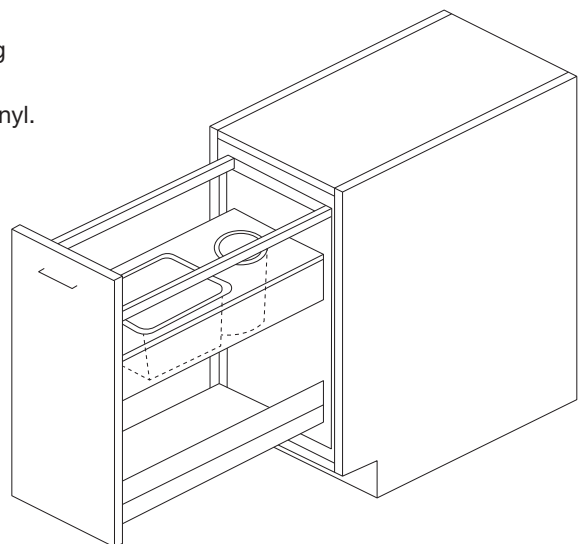
Base High Vanity Grooming Organizer | BHVGO

34 1/2" High x 21" Deep

- Vanity Full High 12" width only, no top drawer.
- Door attached to full extension soft-close pull out unit.
- Top shelf includes two stainless steel bins for storing hairdryer, curling iron, or other frequently used items. Shelf is adjustable in height.
- Bottom shelf is also adjustable and features a non-skid wood grain vinyl.
- Side skirts are frosted polycarbonate.

MINIMUM SIZE
No Modifications
MODIFICATIONS AVAILABLE
No Modifications

34 1/2" HIGH 21" DEEP
BHVGO12



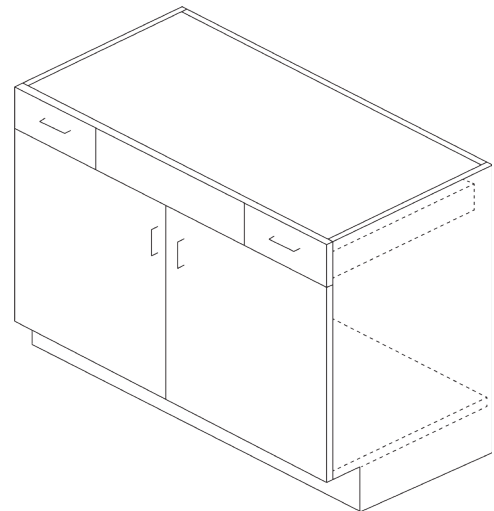
Base High Vanity Combination | BHVC

34-1/2" High x 21" Deep

- False drawer front between two active drawers.
- 2 equal width doors. Full back.
- Designed for sink to fit in center.
- Cabinet widths – 36" - 42" = 9" drawers.
- Cabinet widths – 45" - 48" = 12" drawers.
- Full top construction, cut opening on site.

MINIMUM SIZE	
Minimum Depth	15"
Minimum Width	No Mods
Minimum Height	28-1/2"
MODIFICATIONS AVAILABLE	
No Modifications	
See Modifications for other available mods and details.	

34-1/2" HIGH 21" DEEP
BHVC36
BHVC39
BHVC42
BHVC45
BHVC48



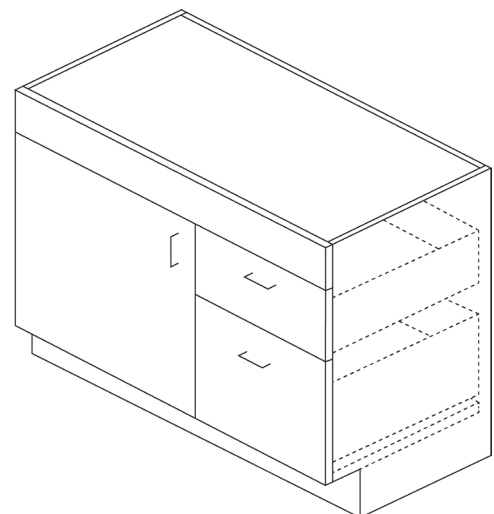
Base High Vanity Combination Two Drawer | BHVC2D

34-1/2" High x 21" Deep

- Full width false sink front.
- 2 active drawers.
- Drawer Front Heights: 11 13/16".
- 1 door specify hinge left or right.

MINIMUM SIZE	
Minimum Depth	15"
Minimum Width	No Mods
Minimum Height	28-1/2"
MODIFICATIONS AVAILABLE	
No Modifications	
See Modifications for other available mods and details.	

34-1/2" HIGH 21" DEEP
BHVC2D30
BHVC2D33
BHVC2D36
BHVC2D39
BHVC2D42
BHVC2D45
BHVC2D48

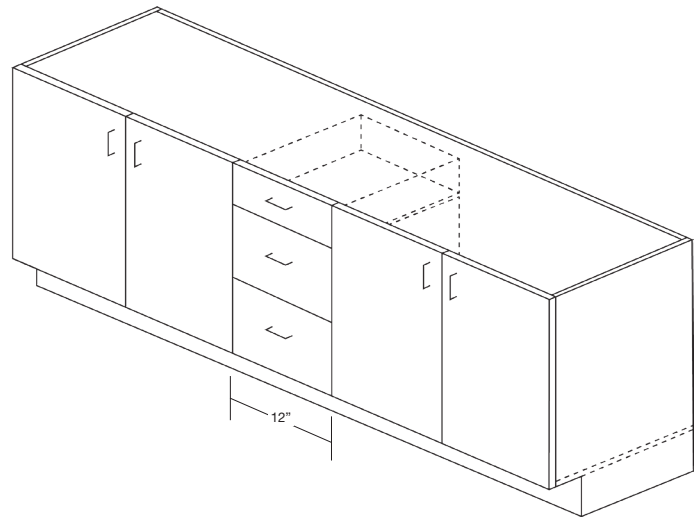


CLEARANCE CHART		
CABINET	DOOR WIDTH	DRAWER WIDTH
30"	18"	12"
33"	21"	12"
36"	21"	15"
39"	24"	15"
42"	24"	18"
45"	2 @ 13 1/2"	18"
48"	2 @ 15"	18"

Base High Vanity Full High Sink Three Drawer | BHV2FS3D

34-1/2" High x 21" Deep

- Cabinet built as single unit.
- Designed for 2 sinks.
- 12" wide 3 drawer stack in the center.
- 60" = 24" sink space.
- 66" = 27" sink space
- 72" = 30" sink space.
- Full top construction, cut opening on site.



MINIMUM SIZE	
Minimum Depth	15"
Minimum Width	No Mods
Minimum Height	28-1/2"
MODIFICATIONS AVAILABLE	
No Modifications	
See Modifications for other available mods and details.	

34-1/2" HIGH 21" DEEP
BHV2FS3D60
BHV2FS3D66
BHV2FS3D72

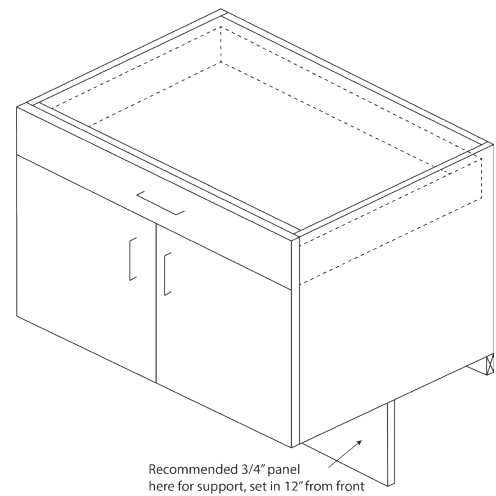
Vanity Wall Hung | VWH

24" High x 21" Deep

- One full width drawer.
- One full width door on 12" - 21", specify hinge left or right.
- Two equal width doors on 24" - 36"
- One adjustable shelf.
- Standard cabinet depth – 21".
- See Wall Hung Vanity Installation Instructions, page 188.

MINIMUM SIZE	
Minimum Depth	12"
Minimum Width	9"
Minimum Height	No Mods
MODIFICATIONS AVAILABLE	
No Modifications	
See Modifications for other available mods and details.	

24" HIGH 21" DEEP
VWH12
VWH15
VWH18
VWH21
VWH24
VWH27
VWH30
VWH33
VWH36



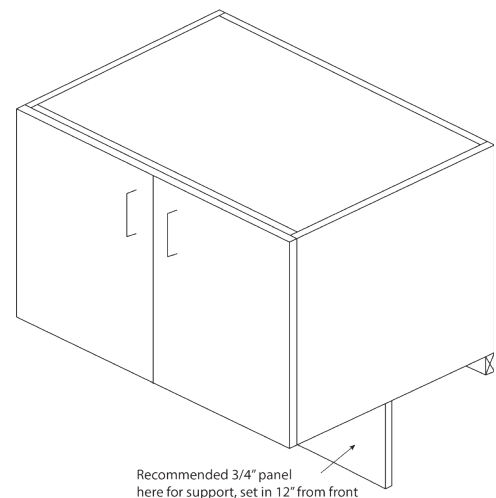
Vanity Full High Wall Hung | VFWH

24" High x 21" Deep

- Two full width, full height doors, specify hinge side.
- Two adjustable shelves included.
- Standard cabinet depth – 21".
- One full width door on 12" - 21", specify hinge left or right.
- 24" - 36" will have two equal width, full height doors.
- See Wall Hung Vanity Installation Instructions, page 188.

MINIMUM SIZE	
Minimum Depth	12"
Minimum Width	9"
Minimum Height	No Mods
MODIFICATIONS AVAILABLE	
Finished Interior	
Frame for Glass Door	
Metal Frame Door	
See Modifications for other available mods and details.	

24" HIGH 21" DEEP
VFWH12
VFWH15
VFWH18
VFWH21
VFWH24
VFWH27
VFWH30
VFWH33
VFWH36



Vanity Sink Wall Hung | VSWH

24" High x 21" Deep

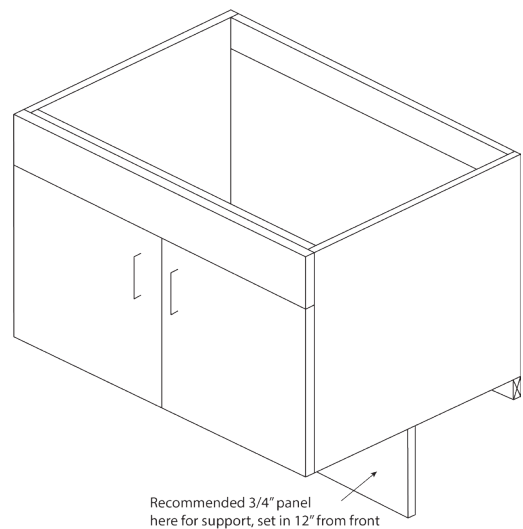
- One false drawer front.
- Full back.
- 24" and wider have two equal doors.
- 18" and 21" models have one full width door, specify hinge left or right.
- See Wall Hung Vanity Installation Instructions, page 188.

Note:

- Factory Installed Sink Liner available for these two cabinets.
See Accessories.

MINIMUM SIZE	
Minimum Depth	15"
Minimum Width	18"
Minimum Height	No Mods
MODIFICATIONS AVAILABLE	
No Modifications	
See Modifications for other available mods and details.	

24" HIGH 21" DEEP
VSWH18
VSWH21
VSWH24
VSWH27
VSWH30
VSWH33
VSWH36



Vanity Full High Sink Wall Hung | VFSWH

24" High

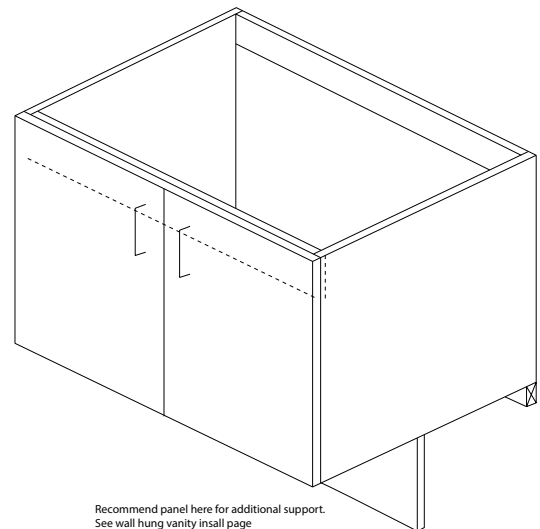
- Full back.
- 6 5/8" high sink fascia at top behind doors.
- 18" and 21" models have one full width door, specify hinge left or right.
- 24" and wider have two equal doors.
- See Wall Hung Vanity Installation Instructions, page 188.

Note:

- Factory Installed Sink Liner available for these two cabinets.
See Accessories.

MINIMUM SIZE	
Minimum Depth	15"
Minimum Width	18"
Minimum Height	No Mods
MODIFICATIONS AVAILABLE	
No Modifications	
See Modifications for other available mods and details.	

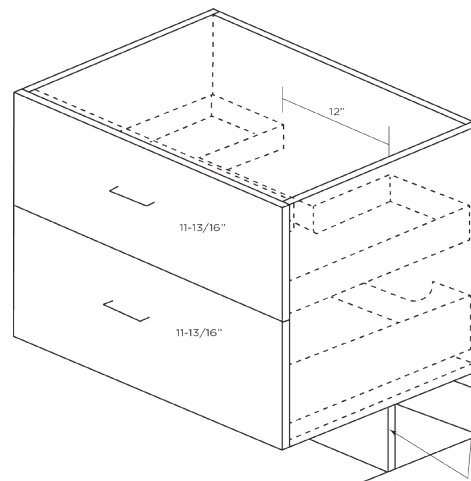
24" HIGH 21" DEEP
VFSWH18
VFSWH21
VFSWH24
VFSWH27
VFSWH30
VFSWH33
VFSWH36



Vanity Sink Two Base Drawer Wall Hung | VS2BDWH

24" High x 21" Deep

- Two drawer sink base provides functional storage around sink.
- Top drawer face connects to a 'U' shaped drawer to clear plumbing and sink.
- Inside width of drawer side sections is 4". Drawer side height is 4". Apprx. 6" of usable clearance height in the top drawer.
- Bottom drawer is 6" side heights with back 'scooped' to 4" height to clear plumbing. Apprx. 10" usable clearance height in the bottom drawer.
- Dimension notes:
 - o Note: 12" clearance between two legs of top drawer on all widths.
- See Wall Hung Vanity Installation Instructions, page 188.



Support Panel and mounting cleat strongly recommended. Use APC to order panel in exact length and height needed. Install apprx. 12" from front of cabinet.

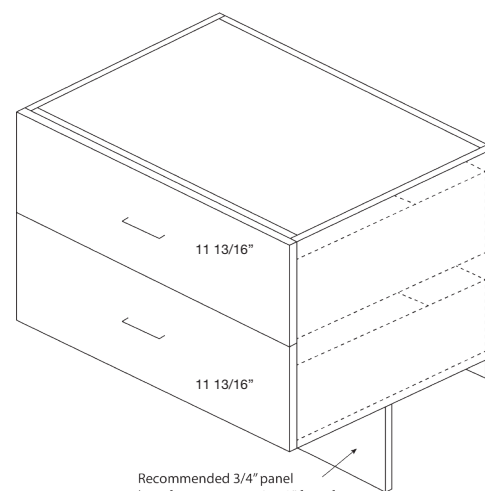
MINIMUM SIZE	
Minimum Depth	15"
Minimum Width	24"
Minimum Height	No Mods
MODIFICATIONS AVAILABLE	
No Modifications	
See Modifications for other available mods and details.	

24" HIGH 21" DEEP
VS2BDWH24
VS2BDWH27
VS2BDWH30
VS2BDWH33
VS2BDWH36

Two Vanity Drawer Wall Hung | 2VDWH

24" High x 21" Deep

- Two full width equal height drawers.
- Drawer front heights: 11 13/16".
- Drawers are 8" tall side heights on Access drawer; Satino drawer will have galley 4" side heights with galley rails.
- See Wall Hung Vanity Installation Instructions, page 188.



Recommended 3/4" panel here for support, set in 12" from front

MINIMUM SIZE	
Minimum Depth	12"
Minimum Width	9"
Minimum Height	No Mods
MODIFICATIONS AVAILABLE	
No Modifications	
See Modifications for other available mods and details.	

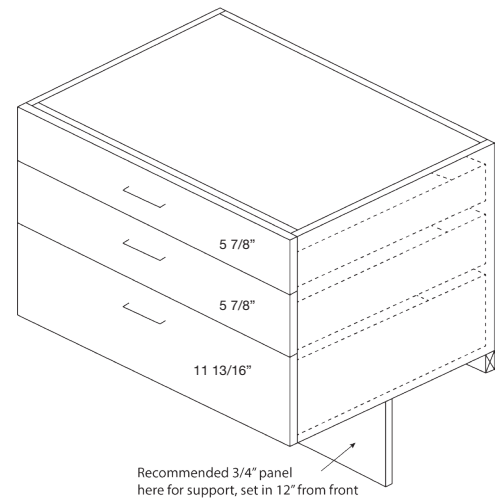
24" HIGH 21" DEEP
2VDWH12
2VDWH15
2VDWH18
2VDWH21
2VDWH24

Three Vanity Drawer Wall Hung | 3VDWH 24" High x 21" Deep

- Top drawer front height – 5 7/8".
- Second drawer front height – 5 7/8".
- Third drawer front height – 11 13/16".
- See Wall Hung Vanity Installation Instructions, page 188.

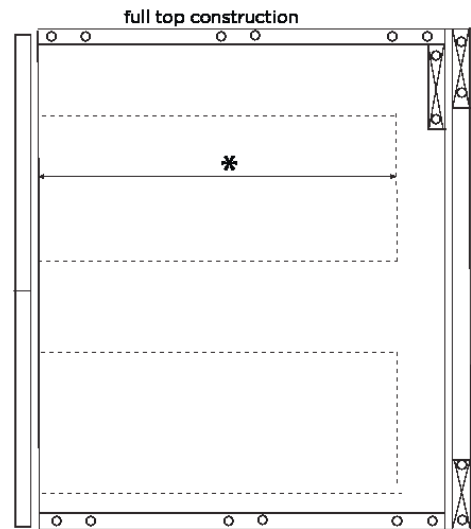
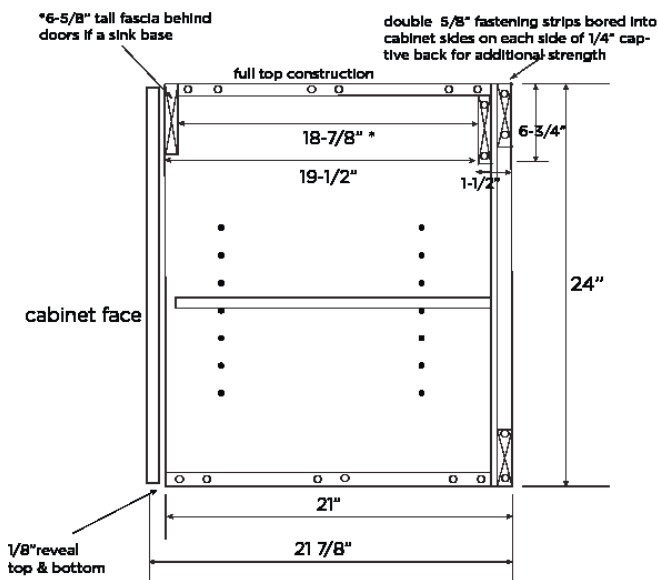
MINIMUM SIZE	
Minimum Depth	12"
Minimum Width	9"
Minimum Height	No Mods
MODIFICATIONS AVAILABLE	
No Modifications	
See Modifications for other available mods and details.	

24" HIGH 21" DEEP
3VDWH12
3VDWH15
3VDWH18
3VDWH21
3VDWH24



Wall Hung Vanity Installation Instructions

- Latitude wall hung vanities are constructed with a secondary top fastening strip on the inside of the cabinet.
- All fastening strips are doweled into the cabinet sides.
- Even with this additional structural integrity, Latitude **STRONGLY RECOMMENDS** additional support under the cabinet. This could be a framed ledge, or a ledger strip, or a matching panel.
- 3-1/2" length minimum. Screws must be used in top and bottom fastening strips and connect with wood wall framing. Additional frame blocking within the wall is strongly suggested.
- Screws should include a washer to better distribute the holding power and keep from pulling through the fastening strip material.
- Adjacent cabinets should be fastened together at all 4 corners to help distribute the weight load.
- Additionally, on sink bases, the solid top should not be removed, and a perimeter of 2" or more must remain intact.
- Following these recommendations will insure a secure installation.



* Wood drawer box depth will be 18"
Steel drawer box depth will be 17-3/4"

