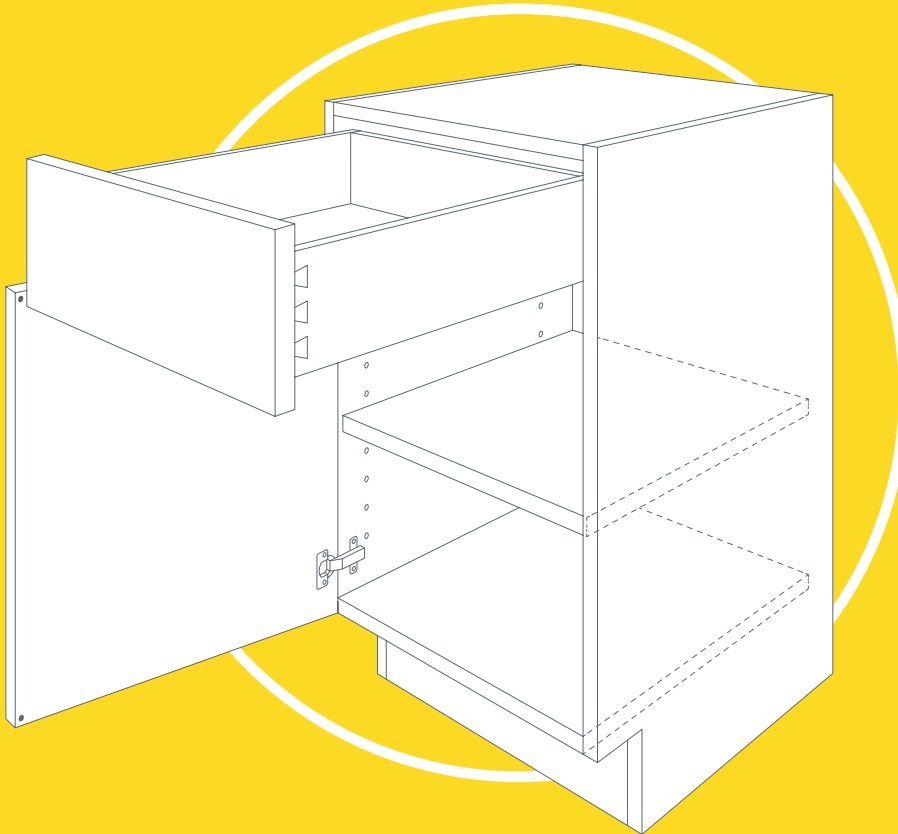




# Wall Cabinet Configurations



## CABINET NOMENCLATURE

# WFD301824

CABINET TYPE      WIDTH      HEIGHT      DEPTH

**ex. W3036** = Wall Cabinet: 30-in wide x 36-in tall  
*Width x Height x Depth (depth is standard 12-in, so is not noted)*

**ex. 4BD18** = Four Base Drawer Cabinet: 18-in wide  
*Height x Depth not noted (these are standard 24-in deep x 34 1/2-in high)*

...

**BASE CABINETS:** Standard 34 1/2-in tall (before countertop) and 24-in deep (not including door/drawer faces).

**WALL CABINETS:** Standard 12-in depth. Latitude offers an additional standard 15-in depth.

**TALL CABINETS:** Available in 84, 90, 93, and 96-in heights. 24-in deep with select 12-in deep options.

**VANITY CABINETS:** Available in 32-in and 34 1/2-in heights (*not including countertop*). Both are 21-in deep.

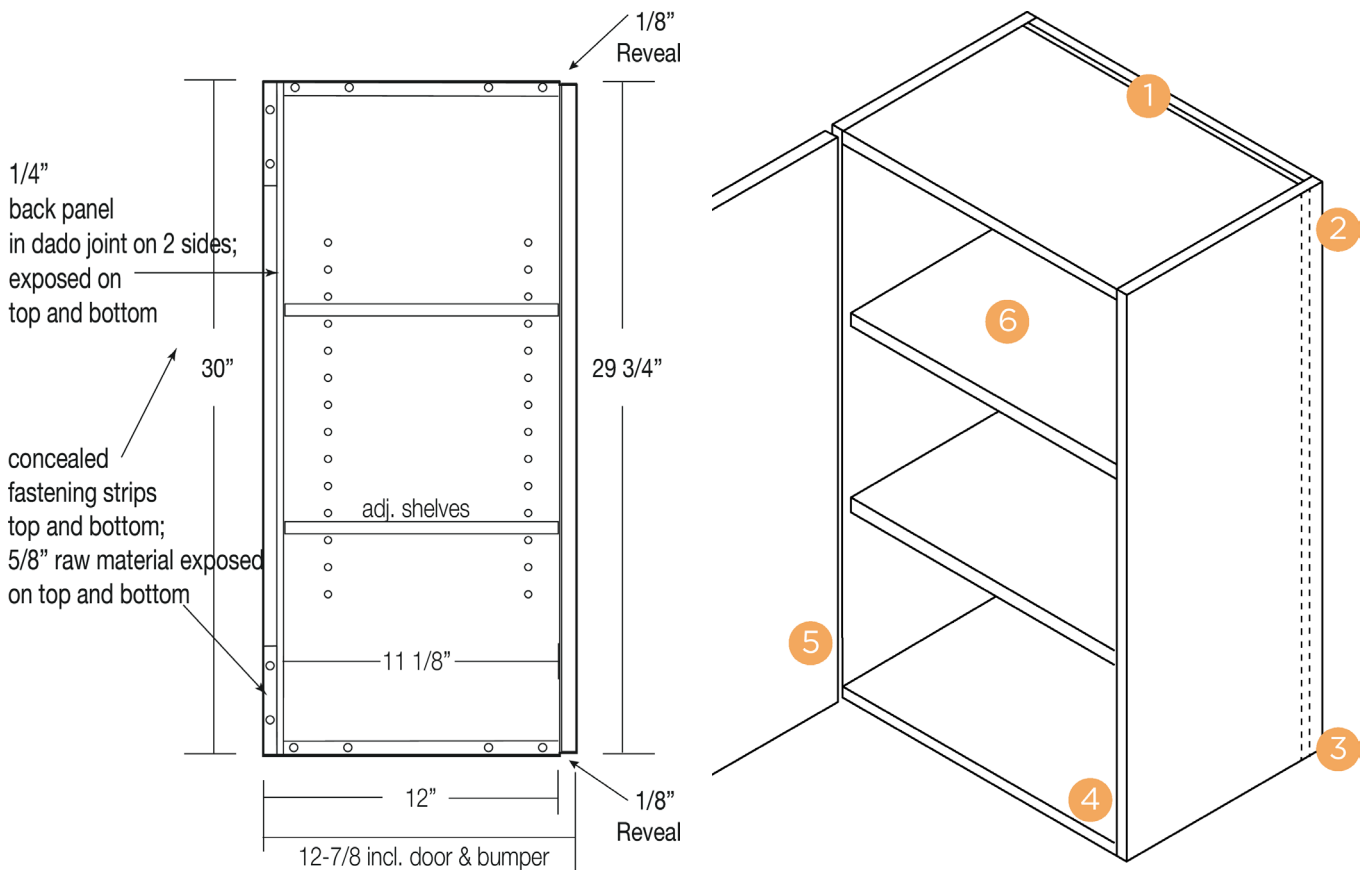
Cabinet sizing uses a 3-in increment system for width, height, and depth. Latitude Cabinets offers select base and wall cabinets in 1 1/2-in width increments to allow for design flexibility. Height, width, and depth reductions are also available on most cabinets.

# WALL CABINET CONSTRUCTION

1. 5/8" x 4" fastening strips - top and bottom.
2. 1/4" thick back panel; inset into dado joints in side panels; top and bottom edge of panel and fastening strip will show.
3. Concealed wood dowel and glue joints where sides join tops and bottoms.
4. 5/8" thick sides, top, bottom, & adjustable shelves; solid color PVC banding on all exposed edges.
5. Doors attached with 110 degree opening soft close hinges that feature quick release and 6-way adjustability.
6. 5/8" shelves are full depth and adjustable on steel shelf pins.

## Notes:

- Wall cabinets 9-21" wide will have single width door; specify hinge direction.
- Wall cabinets 24" and wider will have 2 equal width 'butt' doors; reveal or gap between doors will be 1/8" (3mm) once field adjusted.
- Wall cabinets 39" and wider will include a 5/8" thick full center partition drilled for adjustable shelves on each side.
- Doors on 42" tall wall cabinets will receive three hinges.
- Standard white and optional gray & maple melamine box construction materials – interior and exterior surfaces will be same color melamine.
- Plywood option details - interior and exterior will be veneer plywood.
- Door reveals - 1/8" at top and bottom; 1/16" on outside edges.
- 12" - 18" heights will have no shelves.
- 21" - 27" heights will have 1 shelf.
- 30" - 39" heights will have 2 shelves.
- 42" height will have 3 shelves.
- Minimum depth is 4".
- Drawing below shows 12" depth. Also available in 15" depth.



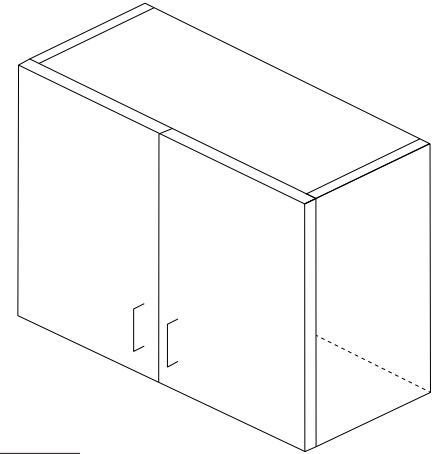
## Wall Cabinets | W

12", 15", 18" High (No Shelves) | 21", 24", 27" High (1 Shelf)

- 12" - 21" wide wall cabinets will have a single door, specify hinge left or right.
- 24" - 42" wide wall cabinets will have double doors of equal width.
- 36 1/4" - 42" wide wall cabinets will have a 5/8" thick vertical center partition with an independently adjustable shelf/shelves on each side.

12" HIGH	15" HIGH	18" HIGH	21" HIGH	24" HIGH	27" HIGH
W1212	W1215	W1218	W1221	W1224	W1227
W13.512	W13.515	W13.518	W13.521	W13.524	W13.527
W1512	W1515	W1518	W1521	W1524	W1527
W16.512	W16.515	W16.518	W16.521	W16.524	W16.527
W1812	W1815	W1818	W1821	W1824	W1827
W19.512	W19.515	W19.518	W19.521	W19.524	W19.527
W2112	W2115	W2118	W2121	W2124	W2127
W2412	W2415	W2418	W2421	W2424	W2427
W2712	W2715	W2718	W2721	W2724	W2727
W3012	W3015	W3018	W3021	W3024	W3027
W3312	W3315	W3318	W3321	W3324	W3327
W3612	W3615	W3618	W3621	W3624	W3627
W3912	W3915	W3918	W3921	W3924	W3927
W4212	W4215	W4218	W4221	W4224	W4227

MINIMUM SIZE	
Minimum Depth	4"
Minimum Width	9"
Minimum Height	10"
MODIFICATIONS AVAILABLE	
Finished Interior	
Frame for Glass Door	
Metal Frame Door	
Recessed Bottom	
See Modifications for other available mods and details.	



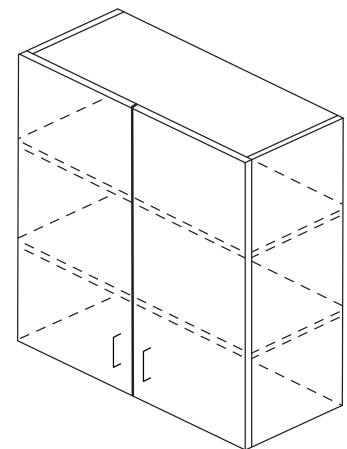
## Wall Cabinets | W

30", 33", 36", 39" High (2 Shelves) | 42" High (3 Shelves)

- 12" - 21" wide wall cabinets will have a single door, specify hinge left or right.
- 24" - 42" wide wall cabinets will have double doors of equal width.
- 36 1/4" - 42" wide wall cabinets will have a 5/8" thick vertical center partition with an independently adjustable shelf/shelves on each side.

30" HIGH	33" HIGH	36" HIGH	39" HIGH	42" HIGH
W0930	W0933	W0936	W0939	W0942
W1230	W1233	W1236	W1239	W1242
W13.530	W13.533	W13.536	W13.539	W13.542
W1530	W1533	W1536	W1539	W1542
W16.530	W16.533	W16.536	W16.539	W16.542
W1830	W1833	W1836	W1839	W1842
W19.530	W19.533	W19.536	W19.539	W19.542
W2130	W2133	W2136	W2139	W2142
W2430	W2433	W2436	W2439	W2442
W2730	W2733	W2736	W2739	W2742
W3030	W3033	W3036	W3039	W3042
W3330	W3333	W3336	W3339	W3342
W3630	W3633	W3636	W3639	W3642
W3930	W3933	W3936	W3939	W3942
W4230	W4233	W4236	W4239	W4242

MINIMUM SIZE	
Minimum Depth	4"
Minimum Width	9"
Minimum Height	10"
MODIFICATIONS AVAILABLE	
Finished Interior	
Frame for Glass Door	
Metal Frame Door	
Recessed Bottom	
See Modifications for other available mods and details.	



## Floating Shelves | FSH2 & FSH3

- Depth of 13" maximum; 2" or 3" thickness available.
- 6" minimum depth.
- Shelf is finished on all surfaces except for the back edges.
- Includes sturdy steel mounting bracket designed to fasten to wall studs with lag screws.
- Hollow construction with 1/2" thick panel material used for outside surfaces. Shelf slides over steel bracket.

### Note:

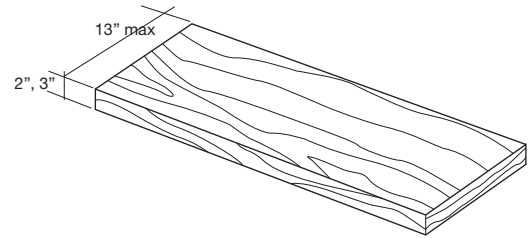
- All laminate & melamine products will exhibit a fine black edge where the front face material meets the side material. This line is the laminated product 'backer' common to all laminated materials. It will be most prevalent with white or light finishes.

### Order Instructions:

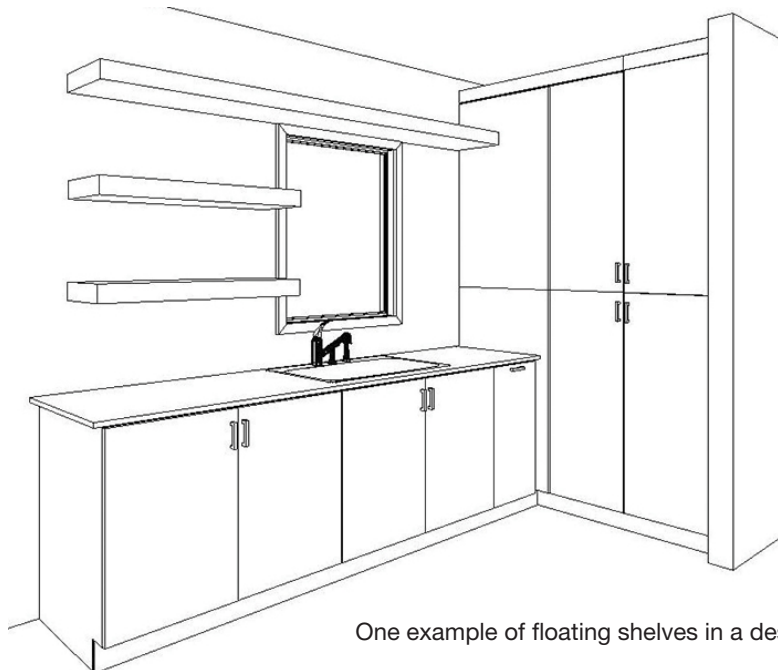
1. Select SKU based on thickness (2" or 3") and overall width. For example, to order a 42" floating shelf, select 48" wide SKU (FSH2-48).
2. Drag onto floor plan in 2020. To specify sizing right click and go into "Attributes."
3. Customize the height and width on the "General Tab"

SKU	LENGTH RANGE
FSH2-48	12" - 48"
FSH2-72	49" - 72"
FSH2-96	73" - 96"

SKU	LENGTH RANGE
FSH3-48	12" - 48"
FSH3-72	49" - 72"
FSH3-96	73" - 96"



- Attach steel mounting bracket (included) to studs with lag screws and flat washers; box tightly slips over bracket. Connect to at least 2 studs, three studs if longer than 4 feet.
- Floating shelves are not intended for high load capacity.



One example of floating shelves in a design.

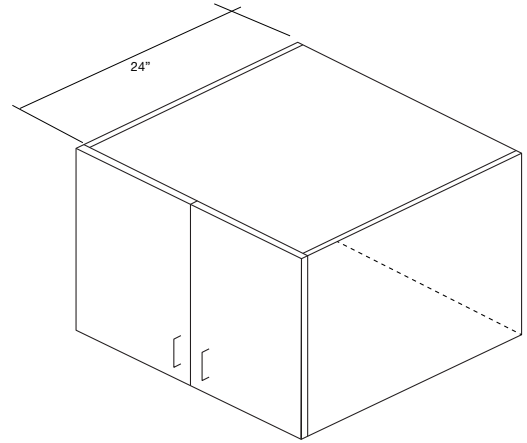
Consider ordering the shelves in a contrasting finish or color to the cabinetry for more visual interest.

## Wall Full Depth | WFD

12", 15", 18" High (No Shelves) | 21", 24", 27" High (1 Shelf) | 30", 33", 36 High (2 Shelves)

- 21" & 24" high will have 1 adjustable shelf.
- 36 1/4"- 48" wide wall full depth cabinets will include a 5/8" thick vertical center partition.
- 24" Deep.

12" HIGH	15" HIGH
WFD301224	WFD301524
WFD331224	WFD331524
WFD361224	WFD361524



18" HIGH	21" HIGH	24" HIGH	27" HIGH	30" HIGH
WFD121824	WFD122124	WFD122424	WFD122724	WFD123024
WFD151824	WFD152124	WFD152424	WFD152724	WFD153024
WFD181824	WFD182124	WFD182424	WFD182724	WFD183024
WFD211824	WFD212124	WFD212424	WFD212724	WFD213024
WFD241824	WFD242124	WFD242424	WFD242724	WFD243024
WFD271824	WFD272124	WFD272424	WFD272724	WFD273024
WFD301824	WFD302124	WFD302424	WFD302724	WFD303024
WFD331824	WFD332124	WFD332424	WFD332724	WFD333024
WFD361824	WFD362124	WFD362424	WFD362724	WFD363024

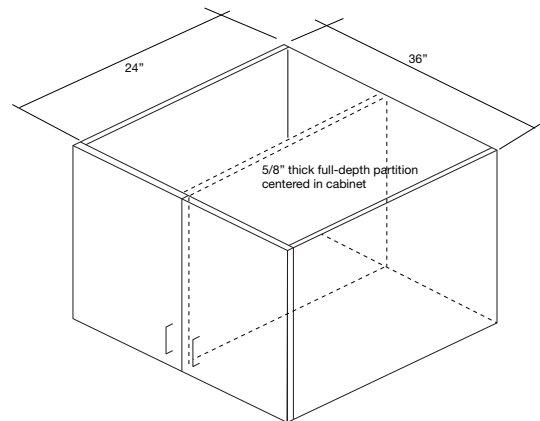
MINIMUM SIZE	
Minimum Depth	15 1/4"
Minimum Width	12"
Minimum Height	10"
MODIFICATIONS AVAILABLE	
Finished Interior	
Frame for Glass Door	
Metal Frame Door	
Recessed Bottom	
See Modifications for other available mods and details.	

## Wall Full Depth Partition | WFDP36

12", 15", 18" High (No Shelves) | 21", 24" High (1 Shelf)

- WFDP36 is a 36" width including a center partition.
- 21" & 24" high will have 1 adjustable shelf.

MINIMUM SIZE	
Minimum Depth	15 1/4"
Minimum Width	33 1/4"
Minimum Height	10"
MODIFICATIONS AVAILABLE	
Finished Interior	
Frame for Glass Door	
Metal Frame Door	
Recessed Bottom	
See Modifications for other available mods and details.	

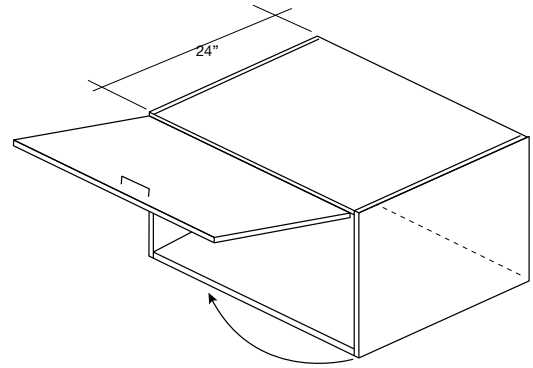


12" HIGH	15" HIGH	18" HIGH	21" HIGH	24" HIGH
WFDP361224	WFDP361524	WFDP361824	WFDP362124	WFDP362424

## Wall Full Depth Tilt Up Door | WFDTUD

12", 15", 18", 21", 24" High

- Wall Full Depth Partition Tilt Up Door is a 36" width including a center 5/8" thick partition for additional strength.
- Door tilts up to a 105 degree angle. SOFT-CLOSE lifts support opened door.
- Adjustments allow for holding open door in position.
- Be aware of door height in open position and the ability to reach and close. Total height from floor to open door is height to cabinet bottom, plus height of cabinet, plus 4". Example: a 12" height cabinet mounted at 72" off the floor will have an open door height of about 88" off finished floor.



12" HIGH	15" HIGH	18" HIGH	21" HIGH	24" HIGH
WFDTUD301224	WFDTUD301524	WFDTUD301824	WFDTUD302124	WFDTUD302424
WFDTUD331224	WFDTUD331524	WFDTUD331824	WFDTUD332124	WFDTUD332424
WFDTUD361224	WFDTUD361524	WFDTUD361824	WFDTUD362124	WFDTUD362424
WFDTUD391224	WFDTUD391524	WFDTUD391824	WFDTUD392124	WFDTUD392424
WFDTUD421224	WFDTUD421524	WFDTUD421824	WFDTUD422124	WFDTUD422424
WFDTUD481224	WFDTUD481524	WFDTUD481824	WFDTUD482124	WFDTUD482424

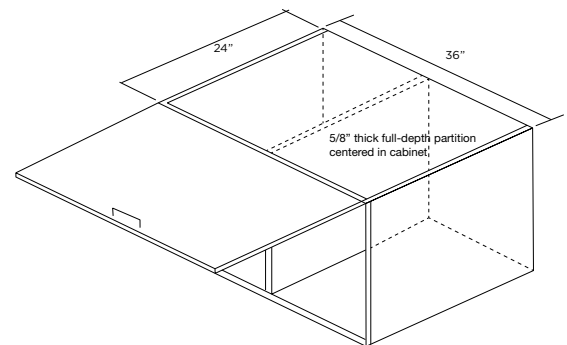
MINIMUM SIZE	
Minimum Depth	15 1/4"
Minimum Width	15"
Minimum Height	10"
MODIFICATIONS AVAILABLE	
Finished Interior	
Frame for Glass Door	
Metal Frame Door	
Recessed Bottom*	
See Modifications for other available mods and details.	

\*Recessed Bottom not available on less than 12" tall.

## Wall Full Depth Partition Tilt Up Door | WFDPTUD36

12", 15", 18", 21", 24" High

- Wall Full Depth Partition Tilt Up Door is a 36" width including a center 5/8" thick partition for additional strength.
- Door tilts up to a 105 degree angle. SOFT-CLOSE lifts support opened door.
- Adjustments allow for holding open door in position.
- Be aware of door height in open position and the ability to reach and close. Total height from floor to open door is height to cabinet bottom, plus height of cabinet, plus 4". Example: a 12" height cabinet mounted at 72" off the floor will have an open door height of about 88" off finished floor.



12" HIGH	15" HIGH	18" HIGH	21" HIGH	24" HIGH
WFDPTUD361224	WFDPTUD361524	WFDPTUD361824	WFDPTUD362124	WFDPTUD362424

MINIMUM SIZE	
Minimum Depth	4"
Minimum Width	33 1/4"
Minimum Height	10"
MODIFICATIONS AVAILABLE	
Finished Interior	
Frame for Glass Door	
Metal Frame Door	
Recessed Bottom*	
See Modifications for other available mods and details.	

\*Recessed Bottom not available on less than 12" tall.

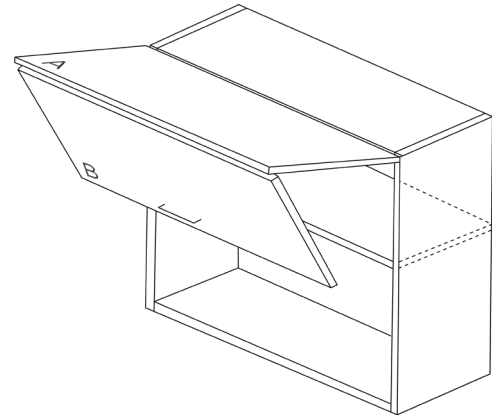
## Wall Bi-Fold Tilt Up Door | WBTUD

24", 27", 30", 33", 36" High

- Provides a contemporary functional approach to wall cabinet storage.
- Top 'A' door is hinged to cabinet.
- Handle to be mounted on bottom rail of 'B' door.
- Second 'B' door is hinged to top door.
- Lift mechanism allows for smooth lift and bi-fold action, plus soft close.
- Doors are out of the way for easy access to storage.
- Includes adjustable shelf / shelves; same specs as standard wall cabinet.

**Note:**

- 39" – 48" widths will have a 5/8" vertical partition in the center of the cabinet.
- A third lift mechanism may be required on cabinets 39" and wider and taller than 30"; depending upon door weight. Latitude Cabinets will make determination and factory install; no price change. Mechanism will be mounted on center partition.
- Consider mounting height & ease of reach when designing with this cabinet; must allow clearance above for full lift motion. Be aware of crown molding interference.
- Stile and Rail constructed door styles will have one center panel with no center stile in all widths.

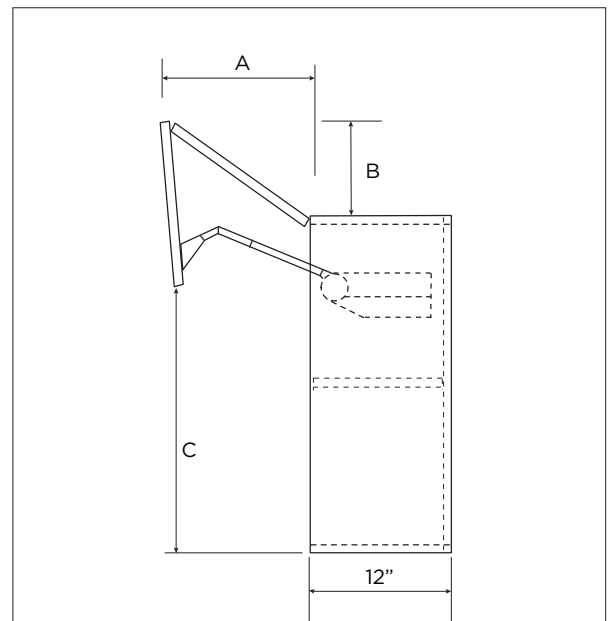


WALL CABINETS

MINIMUM SIZE	
Minimum Depth	12"
Minimum Width	15"
Minimum Height	24"
MODIFICATIONS AVAILABLE	
Finished Interior	
Frame for Glass Door	
Metal Frame Door	
Recessed Bottom	
See Modifications for other available mods and details.	

24" HIGH	27" HIGH	30" HIGH	33" HIGH	36" HIGH
WBTUD2424	WBTUD2427	WBTUD2430	WBTUD2433	WBTUD2436
WBTUD2724	WBTUD2727	WBTUD2730	WBTUD2733	WBTUD2736
WBTUD3024	WBTUD3027	WBTUD3030	WBTUD3033	WBTUD3036
WBTUD3324	WBTUD3327	WBTUD3330	WBTUD3333	WBTUD3336
WBTUD3624	WBTUD3627	WBTUD3630	WBTUD3633	WBTUD3636
WBTUD3924	WBTUD3927	WBTUD3930	WBTUD3933	WBTUD3936
WBTUD4224	WBTUD4227	WBTUD4230	WBTUD4233	WBTUD4236
WBTUD4524	WBTUD4527	WBTUD4530	WBTUD4533	WBTUD4536
WBTUD4824	WBTUD4827	WBTUD4830	WBTUD4833	WBTUD4836

Side View



CLEARANCE CHART

CABINET HEIGHT	A	B	C
24"	12"	6-1/4"	18-1/4"
27"	13"	7"	20-1/2"
30"	14-1/2"	7-1/2"	22-1/4"
33"	16"	8"	24-1/2"
36"	17-1/4"	9"	27"

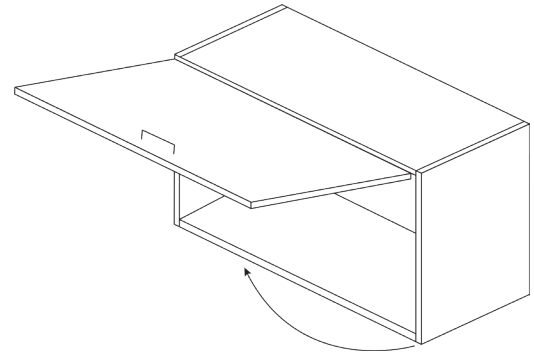
## Wall Tilt Up Door | WTUD

12", 15", 18" High

- Door tilts up to a 105 degree angle. SOFT-CLOSE lifts support opened door. Adjustments allow for holding open door in position.
- Recommended top of cabinet be at 78" or less from floor to assure door can be reached in open position.
- 39 - 48" Widths will have 5/8" center vertical partition for cabinet structural support.
- No adjustable shelves.

**Note:**

- Stile and Rail constructed door styles will have one center panel with no center stile.
- Modify to Frame A glass frame door (M-FD) is allowed. See Modifications. Be aware that lift mechanism hardware could show.

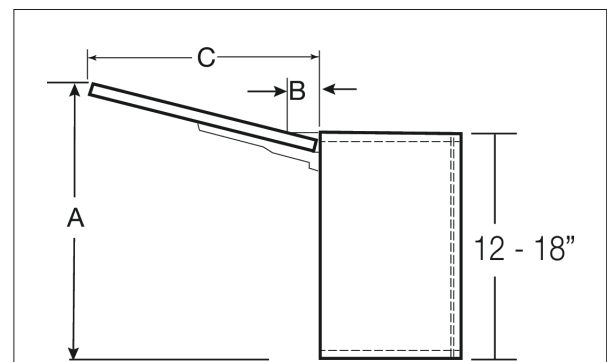


MINIMUM SIZE	
Minimum Depth	10"
Minimum Width	15"
Minimum Height	9"
MODIFICATIONS AVAILABLE	
Finished Interior	
Frame for Glass Door	
Metal Frame Door	
Recessed Bottom*	
See Modifications for other available mods and details.	

\*Recessed Bottom not available on less than 12" tall.

12" HIGH	15" HIGH	18" HIGH
WTUD1812	WTUD1815	WTUD1818
WTUD2112	WTUD2115	WTUD2118
WTUD2412	WTUD2415	WTUD2418
WTUD2712	WTUD2715	WTUD2718
WTUD3012	WTUD3015	WTUD3018
WTUD3312	WTUD3315	WTUD3318
WTUD3612	WTUD3615	WTUD3618
WTUD3912	WTUD3915	WTUD3918
WTUD4212	WTUD4215	WTUD4218
WTUD4512	WTUD4515	WTUD4518
WTUD4812	WTUD4815	WTUD4818

Side View



CLEARANCE CHART

CABINET HEIGHT	A	B	C
12"	15-1/4"	2-1/4"	12-1/2"
15"	19-1/8"	2-1/4"	15-1/2"
18"	23"	2-1/4"	18-1/2"

These dimensions apply to all Wall Tilt Up Door Cabinets. B is the distance for clearance from top cabinet edge to door surface in open position.



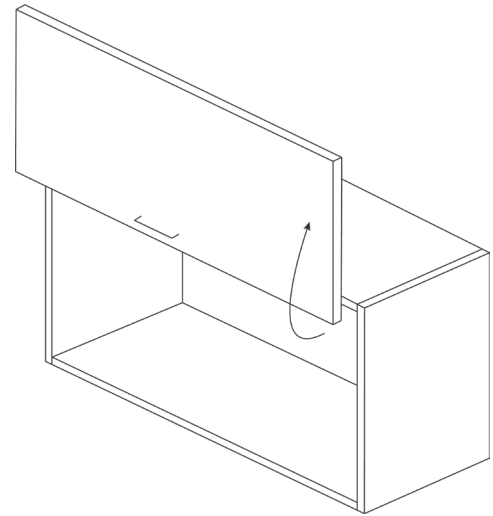
## Wall Lift Up Door | WLUD

12", 15", 18", 21" High

- Door pulls out and then lifts up staying in the same vertical plane.
- Stops in place in front of cabinet face above.
- Allows full access to cabinet interior.
- 12"-18" high no shelving, 21" height includes one adjustable shelf
- 39" - 48" widths will have a 5/8" thick vertical center partition for cabinet structural support.

**Note:**

- Stile and Rail constructed door styles will have one center panel with no center stile.
- Modify to Frame A glass frame door (M-FD) is allowed. See modifications.
- Be aware that lift mechanism hardware could show.

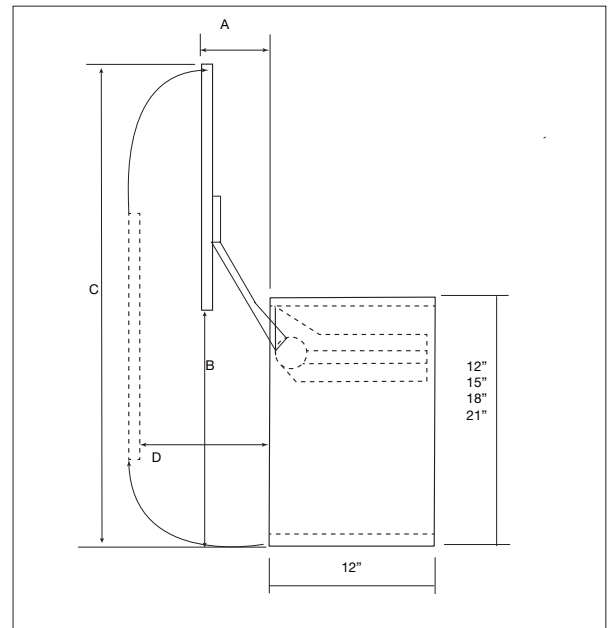


MINIMUM SIZE	
Minimum Depth	12"
Minimum Width	15"
Minimum Height	12"
MODIFICATIONS AVAILABLE	
Finished Interior	
Frame for Glass Door	
Metal Frame Door	
Recessed Bottom*	
See Modifications for other available mods and details.	

\*Recessed Bottom not available on less than 12" tall.

12" HIGH	15" HIGH	18" HIGH	21" HIGH
WLUD1812	WLUD1815	WLUD1818	WLUD1821
WLUD2112	WLUD2115	WLUD2118	WLUD2121
WLUD2412	WLUD2415	WLUD2418	WLUD2421
WLUD2712	WLUD2715	WLUD2718	WLUD2721
WLUD3012	WLUD3015	WLUD3018	WLUD3021
WLUD3312	WLUD3315	WLUD3318	WLUD3321
WLUD3612	WLUD3615	WLUD3618	WLUD3621
WLUD3912	WLUD3915	WLUD3918	WLUD3921
WLUD4212	WLUD4215	WLUD4218	WLUD4221
WLUD4512	WLUD4515	WLUD4518	WLUD4521
WLUD4812	WLUD4815	WLUD4818	WLUD4821

Side View



CLEARANCE CHART				
CABINET HEIGHT	A	B	C	D
12"	5-1/4"	10"	21-3/4"	7-1/2"
15"	6-1/2"	13-1/2"	28-1/4"	9"
18"	7-3/4"	17"	34-3/4"	11-3/4"
21"	7-3/4"	17"	37-3/4"	11-3/4"

These dimensions apply to all Wall Lift Up Door Cabinets: WLUD, WLUMD, WFLUMD.

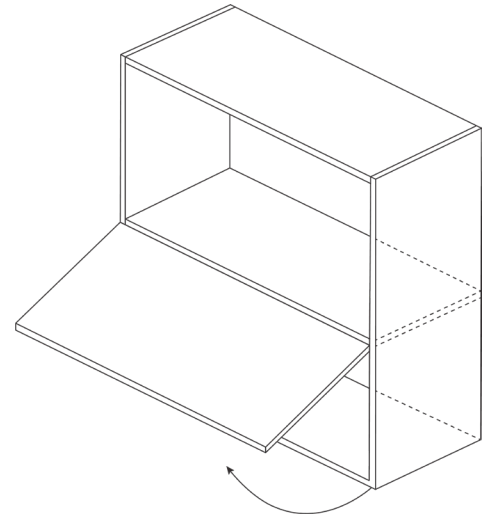
## Wall Open Tilt Up Door Bottom | WOTDB

24", 30", 36" High

- Wall Open Finished Interior cabinet that includes a Tilt Up door on the bottom section of the cabinet.
- Cabinet box is 3/4" thick material, and finished on all interior and exterior surfaces; edgbanding will match door material and color.
- 36 1/4"- 48" widths will have a 3/4" thick center vertical partition in both sections.
- Bottom door height = the same door height as a wall 12" (for 24" height); wall 15" (for 30" height); and wall 18" (for 36" height).
- No adjustable shelves; and no line boring.
- Refer to page 71 for Tilt-Up door clearance specs.

**Note:**

- Stile and rail constructed door styles will have one center panel with no center stile.
- When reducing height, fixed shelf will divide upper and lower sections equally.



MINIMUM SIZE	
Minimum Depth	12"
Minimum Width	15"
Minimum Height	24"
MODIFICATIONS AVAILABLE	
Frame for Glass Door	
Metal Frame Door	
Recessed Bottom	
See Modifications for other available mods and details.	

24" HIGH	30" HIGH	36" HIGH
WOTDB1824	WOTDB1830	WOTDB1836
WOTDB2124	WOTDB2130	WOTDB2136
WOTDB2424	WOTDB2430	WOTDB2436
WOTDB2724	WOTDB2730	WOTDB2736
WOTDB3024	WOTDB3030	WOTDB3036
WOTDB3324	WOTDB3330	WOTDB3336
WOTDB3624	WOTDB3630	WOTDB3636
WOTDB3924	WOTDB3930	WOTDB3936
WOTDB4224	WOTDB4230	WOTDB4236
WOTDB4524	WOTDB4530	WOTDB4536
WOTDB4824	WOTDB4830	WOTDB4836

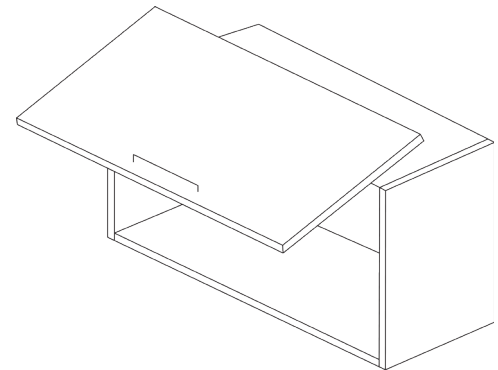
## Wall Lift Over Top | WLOT

15", 18", 21" High

- Provides a contemporary functional approach to wall cabinet storage.
- Door is hinged to cabinet with special tilt system allowing door to tilt over the top of the cabinet providing easy access.
- Mechanism allows for smooth lift, plus soft close.
- Adjustable shelf in 21" height.
- 39" – 48" widths will have a 5/8" vertical partition in the center of the cabinet. On 21" heights, there will be a single adjustable shelf on each side of the partition.

**Note:**

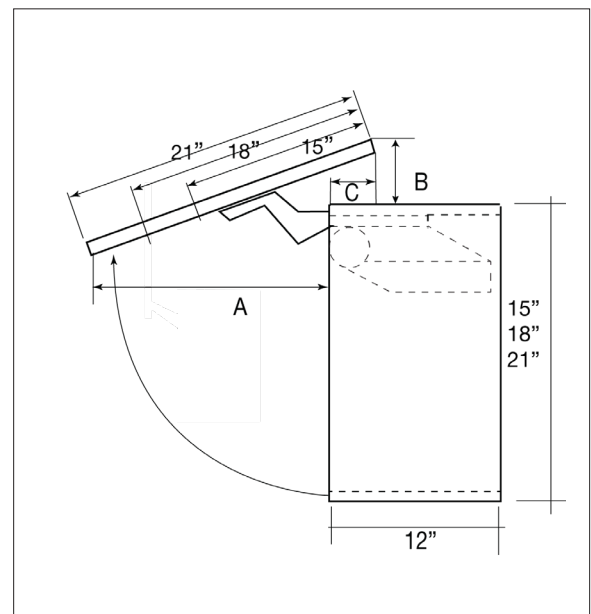
- Stile and Rail constructed door styles will have one center panel with no center stile.
- Consider mounting height & ease of reach when designing with this cabinet; must allow clearance above for full lift motion. Be aware of crown molding interference.



MINIMUM SIZE	
Minimum Depth	12"
Minimum Width	15"
Minimum Height	15"
MODIFICATIONS AVAILABLE	
Finished Interior	
Frame for Glass Door	
Metal Frame Door	
Recessed Bottom	
See Modifications for other available mods and details.	

15" HIGH	18" HIGH	21" HIGH
WLOT1815	WLOT1818	WLOT1821
WLOT2115	WLOT2118	WLOT2121
WLOT2415	WLOT2418	WLOT2421
WLOT2715	WLOT2718	WLOT2721
WLOT3015	WLOT3018	WLOT3021
WLOT3315	WLOT3318	WLOT3321
WLOT3615	WLOT3618	WLOT3621
WLOT3915	WLOT3918	WLOT3921
WLOT4215	WLOT4218	WLOT4221
WLOT4515	WLOT4518	WLOT4521
WLOT4815	WLOT4818	WLOT4821

Side View



CLEARANCE CHART

CABINET HEIGHT	A	B	C
15"	10 1/4"	6-1/2"	3-3/4"
18"	12-1/2"	6-1/2"	3-3/4"
21"	14-3/4"	6-1/2"	3-3/4"

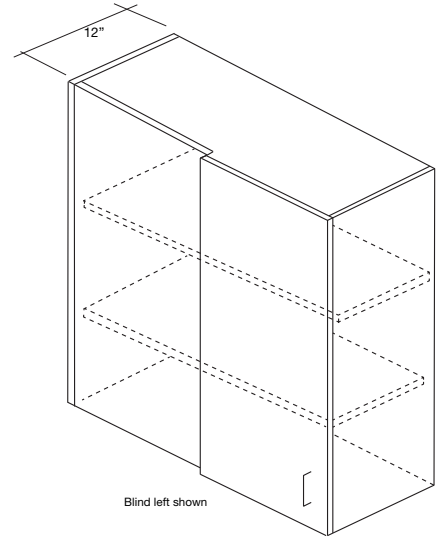
## Wall Blind Corner | WBC

24", 30", 33", 36", 39" (2 Shelves) 42" High (3 Shelves)

- Pull and install 3" from corner. (\*Example: WBC3630 cabinet is actually 33" wide, but is designed to fit in a 35" - 37 1/2" wide space.)

**Note:**

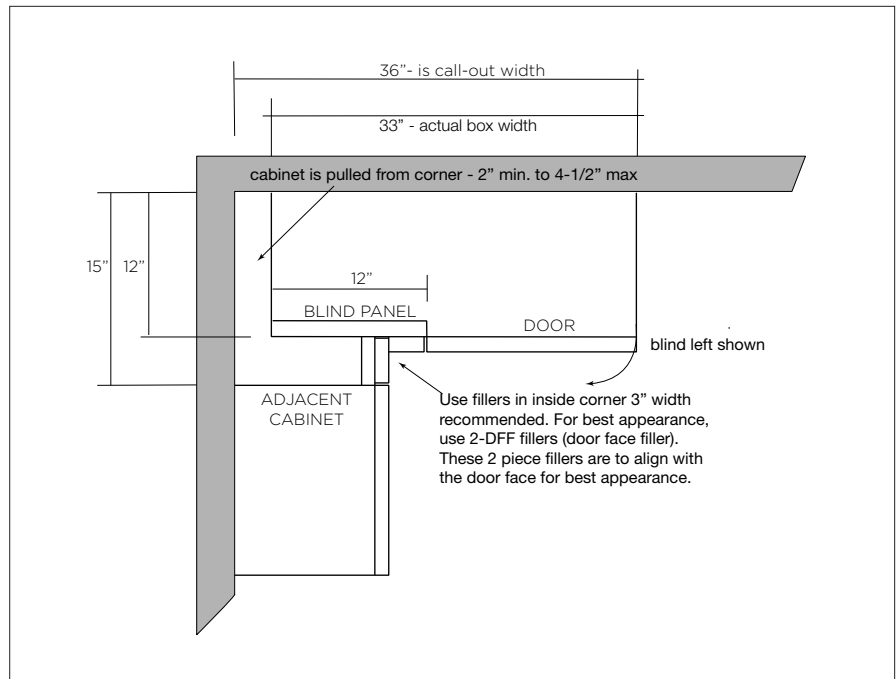
- Designed to fit in a 27", 30", 33", or 36" wide space.
- Blind panel is finished to match door material.



MINIMUM SIZE	
Minimum Depth	4"
Minimum Width	No Mods
Minimum Height	10"
MODIFICATIONS AVAILABLE	
Finished Interior	
Frame for Glass Door	
Metal Frame Door	
Recessed Bottom	
See Modifications for other available mods and details.	

24" HIGH	30" HIGH	33" HIGH	36" HIGH	39" HIGH	42" HIGH
WBC2724	WBC2730	WBC2733	WBC2736	WBC2739	WBC2742
WBC3024	WBC3030	WBC3033	WBC3036	WBC3039	WBC3042
WBC3324	WBC3330	WBC3333	WBC3336	WBC3339	WBC3342
WBC3624	WBC3630	WBC3633	WBC3636	WBC3639	WBC3642

### Corner Details



### CLEARANCE CHART

CABINET	DIMENSION RANGE	DOOR WIDTH	ACTUAL CABINET WIDTH
27"	25-1/2" - 28-1/2"	12"	24"
30"	28-1/2" - 31-1/2"	15"	27"
33"	31-1/2" - 34-1/2"	18"	30"
36"	34-1/2" - 37-1/2"	21"	33"

## Wall Angle Corner | WAC 24" Wide

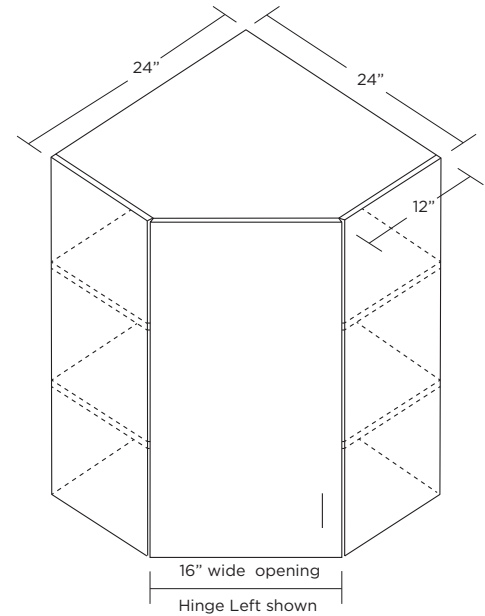
- 30"-39" High = 2 Shelves.
- 42" High = 3 Shelves.
- Specify hinge left or right.

**Note:**

- No fillers required on adjacent cabinets.

24" WIDE
WAC2424
WAC2427
WAC2430
WAC2433
WAC2436
WAC2439
WAC2442

MINIMUM SIZE	
Minimum Depth	No Mods
Minimum Width	No Mods
Minimum Height	10"
MODIFICATIONS AVAILABLE	
Finished Interior	
Frame for Glass Door	
Metal Frame Door	
Recessed Bottom	
See Modifications for other available mods and details.	



## Wall Angle Corner Open | WACO 24" Wide

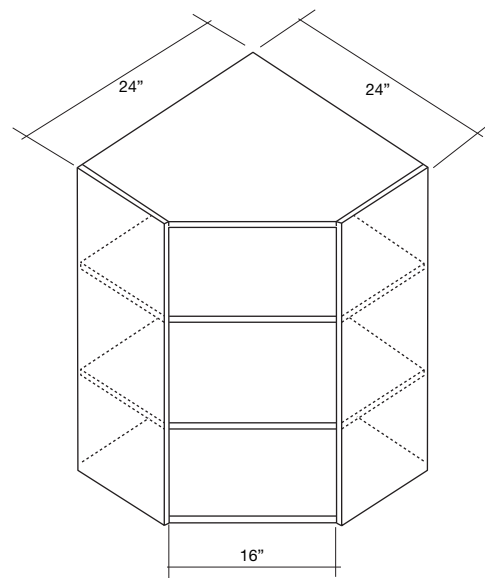
- Cabinets constructed with 3/4" thick sides, top, bottom, and shelves.
- All interior and exterior surfaces are finished to match.
- Case edge band is real wood veneer 'tape' on wood door orders.
- There is no additional charge for finished ends on this open cabinet; they are included.

**Note:**

- No fillers required on adjacent cabinets.

MINIMUM SIZE	
Minimum Depth	No Mods
Minimum Width	No Mods
Minimum Height	10"
MODIFICATIONS AVAILABLE	
No Modifications	
See Modifications for other available mods and details.	

24" WIDE
WACO2424
WACO2427
WACO2430
WACO2433
WACO2436
WACO2439
WACO2442



## Wall Angle Corner Lazy Susan | WACL 24" Wide

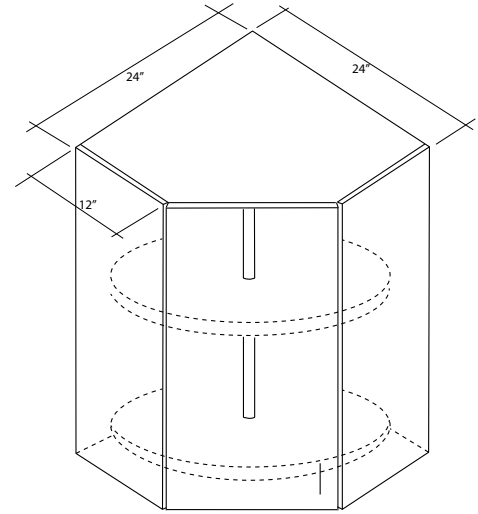
- 30"- 39" High = 2 LS Trays.
- 42" High = 3 LS Trays.
- Specify hinge left or right.
- Includes 18" diameter white polymer revolving trays on a post.

**Note:**

- No fillers required on adjacent cabinets.

24" WIDE
WACL2430
WACL2433
WACL2436
WACL2439
WACL2442

MINIMUM SIZE	
Minimum Depth	No Mods
Minimum Width	No Mods
Minimum Height	30"
MODIFICATIONS AVAILABLE	
Frame for Glass Door	
Metal Frame Door	
Recessed Bottom	
See Modifications for other available mods and details.	



## Wall Angle Corner Deep | WACD 27" Wide x 15" Deep

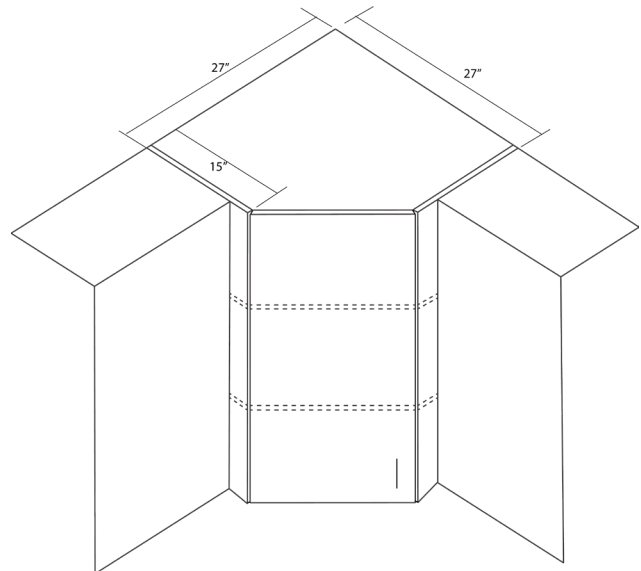
- Cabinet designed for staggered depth design adjacent to wall cabinets less than 15" deep.
- 30"-39" High = 2 Shelves.
- 42" High = 3 Shelves.
- Specify hinge left or right.

**Note:**

- Remember to add finished ends, they will show.
- No fillers required on adjacent cabinets.
- WACD cabinet is engineered to be a greater depth than adjacent wall cabinets. The door width provides the correct reveal and eliminates seeing into the cabinet interior. IF design requires a 15" deep wall angle corner, and the same depth for surrounding cabinets, use the WAC-15 cabinet.

MINIMUM SIZE	
Minimum Depth	No Mods
Minimum Width	No Mods
Minimum Height	10"
MODIFICATIONS AVAILABLE	
Finished Interior	
Frame for Glass Door	
Metal Frame Door	
Recessed Bottom	
See Modifications for other available mods and details.	

27" WIDE 15" DEEP
WACD2724
WACD2730
WACD2733
WACD2736
WACD2739
WACD2742

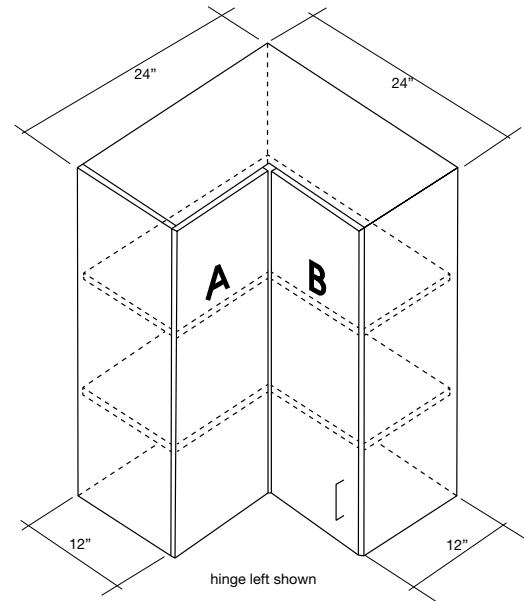


## Wall Square Corner | WSC 24" Wide

- Square corner 24" wide each back wall, 12" deep.
- 24" = 1 shelf; 30"- 39" High = 2 Shelves.
- 42" High = 3 Shelves.
- 'A' door is attached to cabinet with 165 degree opening hinges.
- 'B' door is attached to 'A' door.
- Hinges are not soft close on this cabinet.
- Doors are 11-1/16" wide.
- Hinge Left shown in drawing.

**Note:**

- Do not recommend glass door option for WSC as hinges will be visible.
- No fillers required on adjacent cabinets.



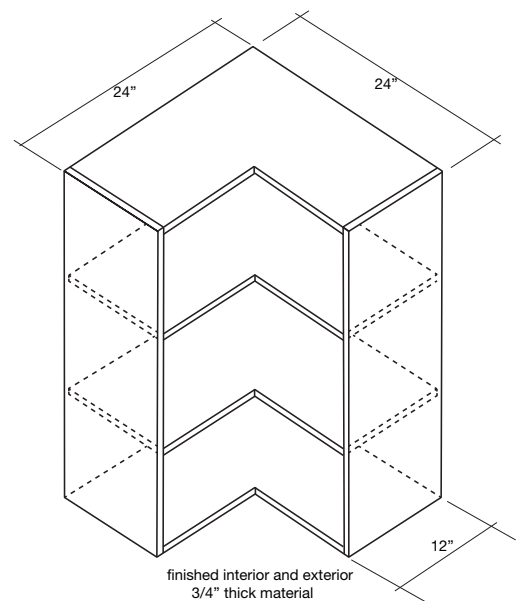
24" WIDE	MINIMUM SIZE	
WSC2424	Minimum Depth	No Mods
WSC2427	Minimum Width	No Mods
WSC2430	Minimum Height	10"
WSC2433	MODIFICATIONS AVAILABLE	
WSC2436	Finished Interior	
WSC2439	Frame for Glass Door	
WSC2442	Metal Frame Door	
	Recessed Bottom	
	See Modifications for other available mods and details.	

## Wall Square Corner Open | WSCO 24" Wide

- 24" = 1 shelf.
- 30"- 39" High = 2 Shelves.
- 42" High = 3 Shelves.
- Cabinets constructed with 3/4" thick sides, top, bottom, and shelves.
- All interior and exterior surfaces are finished to match.
- Case edge band is real wood veneer 'tape' on wood door orders.
- There is no additional charge for finished ends on this open cabinet; they are included.

**Note:**

- No fillers required on adjacent cabinets.



24" WIDE	MINIMUM SIZE	
WACO2424	Minimum Depth	No Mods
WACO2427	Minimum Width	No Mods
WACO2430	Minimum Height	10"
WACO2433	MODIFICATIONS AVAILABLE	
WACO2436	No Modifications	
WACO2439	See Modifications for other available mods and details.	
WACO2442		

## Wall Open Finished Interior | WO

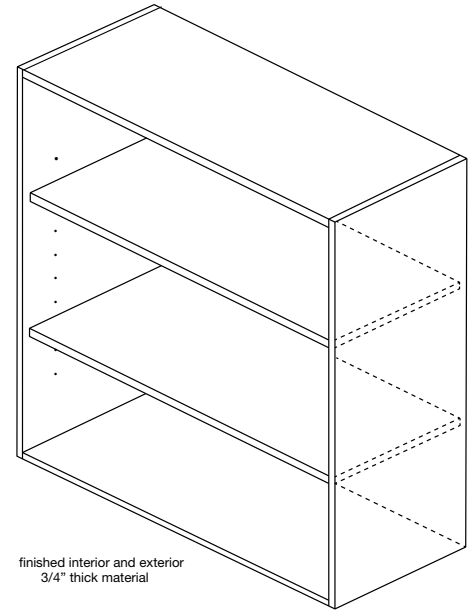
12", 15", 18" High (No Shelves) | 21", 24", 27" High (1 Shelf)  
 30", 33", 36", 39" High (2 Shelves) | 42" High (3 Shelves)

- Cabinets constructed with 3/4" thick sides, top, bottom, and shelves.
- All interior and exterior surfaces are finished to match.
- Case edge band is real wood veneer 'tape' on wood door orders.
- The A grade side of wood veneers will be placed on the interior side of the cabinet unless a finished end is specified, in which case the A side will be used on the exterior side. There is no additional charge for finished ends on this open cabinet.

**Note:**

- Sides and back will have vertical pattern/grain direction in all door styles.

MINIMUM SIZE	
Minimum Depth	4"
Minimum Width	9"
Minimum Height	10"
MODIFICATIONS AVAILABLE	
No Modifications	
See Modifications for other available mods and details.	



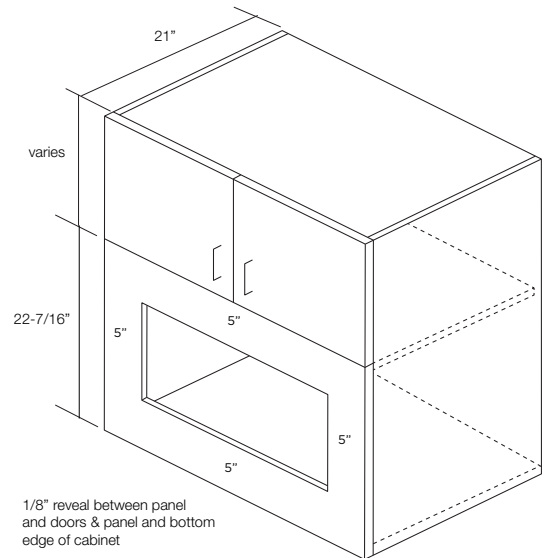
12" HIGH	15" HIGH	18" HIGH	21" HIGH	24" HIGH	27" HIGH	30" HIGH	33" HIGH	36" HIGH	39" HIGH	42" HIGH
W01212	W01215	W01218	W01221	W01224	W01227	W01230	W01233	W01236	W01239	W01242
W013.512	W013.515	W013.518	W013.521	W013.524	W013.527	W013.530	W013.533	W013.536	W013.539	W013.542
W01512	W01515	W01518	W01521	W01524	W01527	W01530	W01533	W01536	W01539	W01542
W016.512	W016.515	W016.518	W016.521	W016.524	W016.527	W016.530	W016.533	W016.536	W016.539	W016.542
W01812	W01815	W01818	W01821	W01824	W01827	W01830	W01833	W01836	W01839	W01842
W019.512	W019.515	W019.518	W019.521	W019.524	W019.527	W019.530	W019.533	W019.536	W019.539	W019.542
W02112	W02115	W02118	W02121	W02124	W02127	W02130	W02133	W02136	W02139	W02142
W02412	W02415	W02418	W02421	W02424	W02427	W02430	W02433	W02436	W02439	W02442
W02712	W02715	W02718	W02721	W02724	W02727	W02730	W02733	W02736	W02739	W02742
W03012	W03015	W03018	W03021	W03024	W03027	W03030	W03033	W03036	W03039	W03042
W03312	W03315	W03318	W03321	W03324	W03327	W03330	W03333	W03336	W03339	W03342
W03612	W03615	W03618	W03621	W03624	W03627	W03630	W03633	W03636	W03639	W03642



## Wall Microwave Built-In | WMB 21" Deep

- Cabinet is designed for built-in microwaves with trim kits.
- One loose shelf with cleats is shipped with this cabinet for installation of microwave.
- Trim microwave panel opening on site as needed.

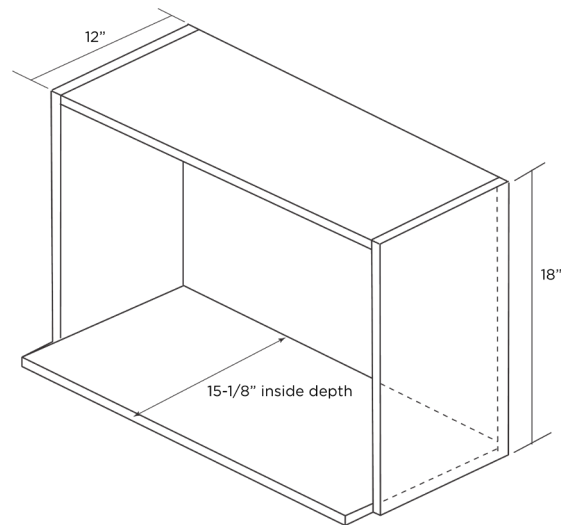
MINIMUM SIZE		21" DEEP
Minimum Depth	12"	WMB2736
Minimum Width	24"	WMB3036
Minimum Height	33"	WMB3336
MODIFICATIONS AVAILABLE		WMB2739
Finished Interior		WMB3039
Frame for Glass Door		WMB3339
Metal Frame Door		WMB2742
See Modifications for other available mods and details.		WMB3042
		WMB3342



## Wall Microwave Finished Box | WMF 18" High

- Designed to install under a 12" deep wall cabinet.
- From bottom of the WM cabinet to counter top should be no more than 18".
- 3/4" material; finished interior and exterior included.
- On paint finish door orders, cabinet will be matching paint.
- On Laminate door orders, will be matching laminate and box edge band will match door edge band.
- On white foil door orders, will be white laminate.
- Sides and back will have vertical pattern/grain direction in all door styles.

MINIMUM SIZE		18" HIGH
Minimum Depth	10"	WMF2418
Minimum Width	18"	WMF2718
Minimum Height	15"	WMF3018
MODIFICATIONS AVAILABLE		
No Modifications		
See Modifications for other available mods and details.		



## Straight Appliance Garage Metal Tambour | SAGM, SAGM48

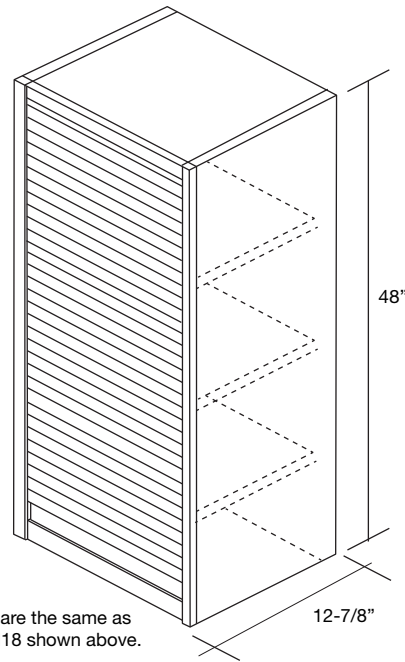
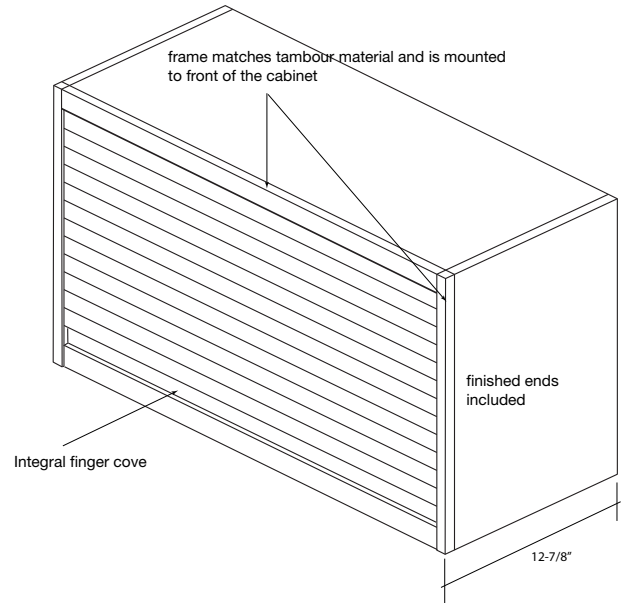
18", 48 High

- No bottom on cabinet.
- Brushed aluminum finish tambour travels in track mounted inside the top and back of the cabinet.
- Usable inside depth on standard 12" deep SAGM is 10-1/2".
- Brushed aluminum framework covers front of cabinet box making overall outside depth including the metal frame 7/8" greater than the cabinet depth.
- Interior of the cabinet will be box material.
- Finished ends included.
- Clearance height when tambour fully opened is 13-3/4" on 18" height, and 43-1/2" on 48" height.
- Includes finger cove at bottom of door.

MINIMUM SIZE
No Modifications
MODIFICATIONS AVAILABLE
Finished Interior
See Modifications for other available mods and details.

18" HIGH
SAGM2418
SAGM2718
SAGM3018
SAGM3318
SAGM3618

48" HIGH
SAGM2448



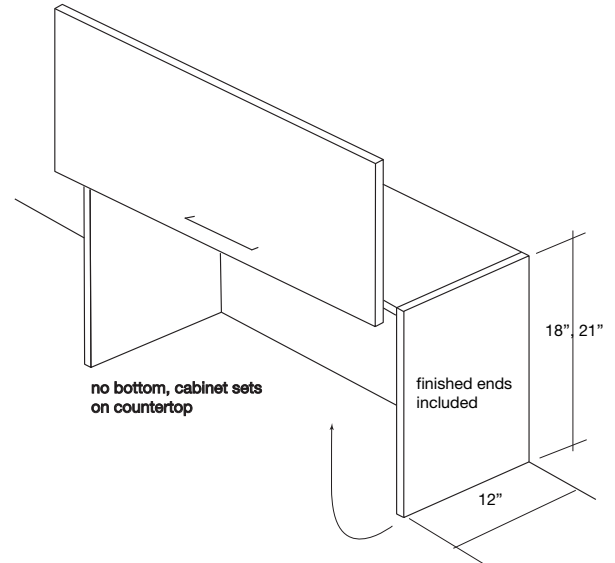
## Straight Appliance Garage Lift Up Door | SAGLD

18", 21" High

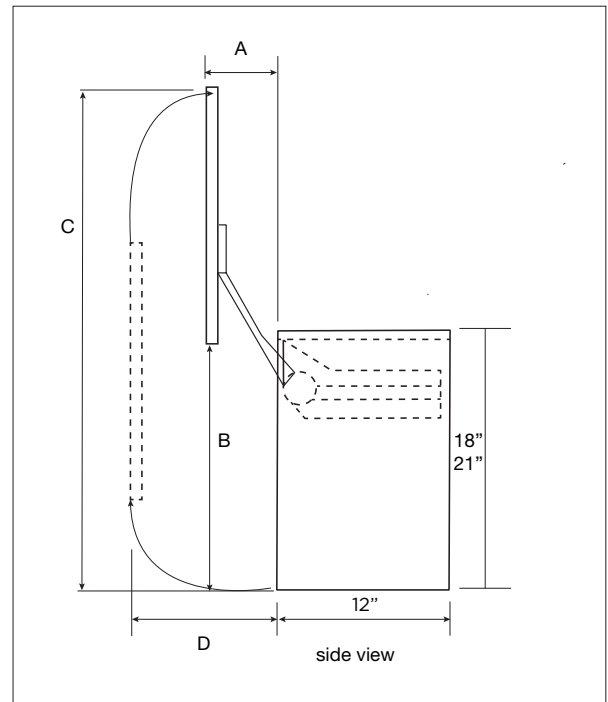
- Appliance garage with door lift-up mechanism. Door pulls out and then lifts up staying in the same vertical plane. Locks in place in front of cabinet face above.
- Allows full access to cabinet interior.
- Interior will be box material.
- 7" clearance between opened door and door face of cabinet above.
- Factory finished ends included.

MINIMUM SIZE	
Minimum Depth	10"
Minimum Width	15"
Minimum Height	12"
MODIFICATIONS AVAILABLE	
Finished Interior	
Frame for Glass Door	
Metal Frame Door	
See Modifications for other available mods and details.	

18" HIGH	21" HIGH
SAGLD1818	SAGLD1821
SAGLD2118	SAGLD2121
SAGLD2418	SAGLD2421
SAGLD2718	SAGLD2721
SAGLD3018	SAGLD3021
SAGLD3318	SAGLD3321
SAGLD3618	SAGLD3621



Side View



CLEARANCE CHART

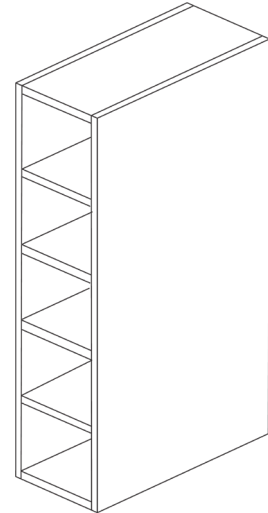
CABINET HEIGHT	A	B	C	D
18"	9-1/4"	20 3/4"	38-1/4"	13"
21"	9-1/4"	20 3/4"	38-1/4"	13"

## Wall Wine Cabinet | WWC

6", 12", 18", 24" Wide

- Constructed with 3/4" thick finished interior and exterior.
- Shelves are removable and evenly spaced, no line boring.
- 12" width will have one 3/4" center partition; 18" will have two equally divided.
- Inside Width = 4-1/2"; Inside Depth = 11"; Typical Wine Bottle = 13" tall

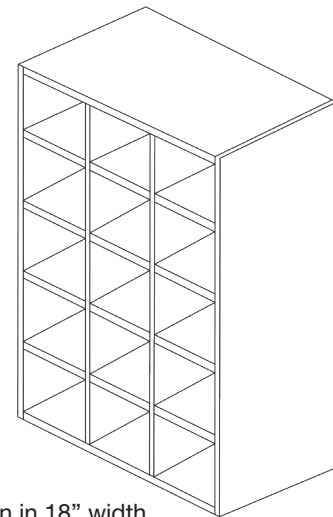
MINIMUM SIZE
No Modifications
MODIFICATIONS AVAILABLE
No Modifications



6"

6" WIDE	12" WIDE	18" WIDE	24" WIDE
WWC624	WWC1224	WWC1824	WWC2424
WWC627	WWC1227	WWC1827	WWC2427
WWC630	WWC1230	WWC1830	WWC2430
WWC633	WWC1233	WWC1833	WWC2433
WWC636	WWC1236	WWC1836	WWC2436
WWC639	WWC1239	WWC1839	WWC2439
WWC642	WWC1242	WWC1842	WWC2442

HEIGHTS	
24"	4 Vertical Divisions
27"	4 Vertical Divisions
30"	5 Vertical Divisions
33"	5 Vertical Divisions
36"	6 Vertical Divisions
39"	6 Vertical Divisions
42"	7 Vertical Divisions



Shown in 18" width

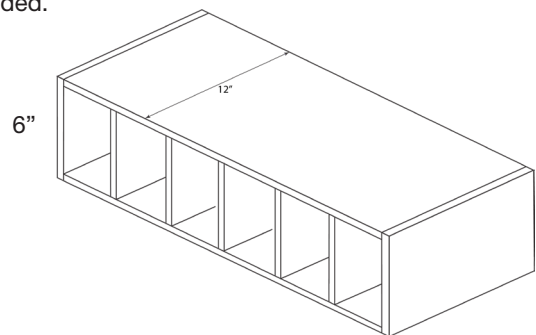
## Wall Wine Cabinet - Horizontal Install | WWC

24-42" Widths x 6" Height

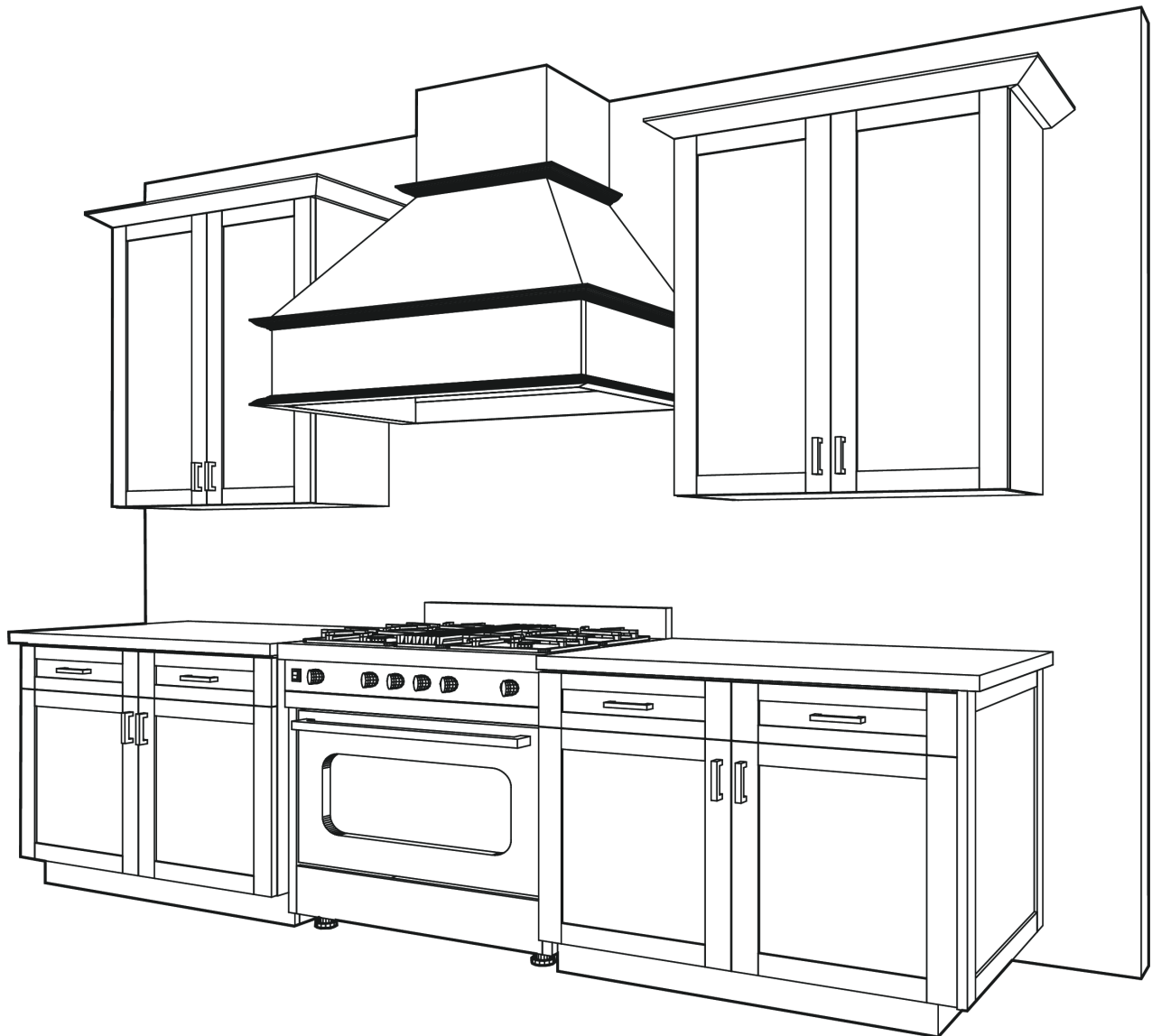
- Constructed with 3/4" thick finished interior and exterior.
- Shelves are removable and evenly spaced, no line boring.
- 12" width will have one 3/4" center partition; 18" will have two equally divided.
- Inside Width = 4-1/2"; Inside Depth = 11"; Typical Wine Bottle = 13" tall.

MINIMUM SIZE
No Modifications
MODIFICATIONS AVAILABLE
No Modifications

6" HIGH
WWC2406
WWC3006
WWC3606
WWC4206



- The wood hoods on the following pages are manufactured using fine wood veneers and solids. Veneer components are always on a plywood core.
- Hoods are available in the standard woods of: Red Oak, Alder, Cherry, Maple, and Paint finish.
- Most wood hoods can be ordered without the blower and liner assembly, although this is not recommended. Homeowner would then be responsible for adapting the hood to a different blower/liner unit.
- Hood material and finish will match the rest of the cabinet order unless specified differently on a separate order. Applicable finish up charges will apply, such as glazing up charges.
- Details of available sizes, blower units, and styling are included on the individual wood hood pages.
- Installation is the responsibility of the contractor, and should be in compliance with all local building codes. Blower assemblies include a damper, but do not include ducting; this is the responsibility of the dealer/contractor. Recommended mounting height is 30" (plus or minus 2") from the cooking surface to the bottom edge of the hood. Many of the hood styles will be wider than the actual cooking appliance. Pay careful attention to clearances when designing with hood styles that rest on the countertop surface.
- The wood components of these hoods are subject to the Limited Lifetime Warranty as detailed in the Information section of this catalog. Mechanical components - blower, liner, ducting, switches, lighting; are subject to the specific manufacturers warranty, and are not covered by the Latitude Cabinets warranty.



Each hood has select blower systems available; see individual detail pages for this information. Warranties for these blower and liner units are specific to the manufacturer, not Latitude Cabinets' warranty.

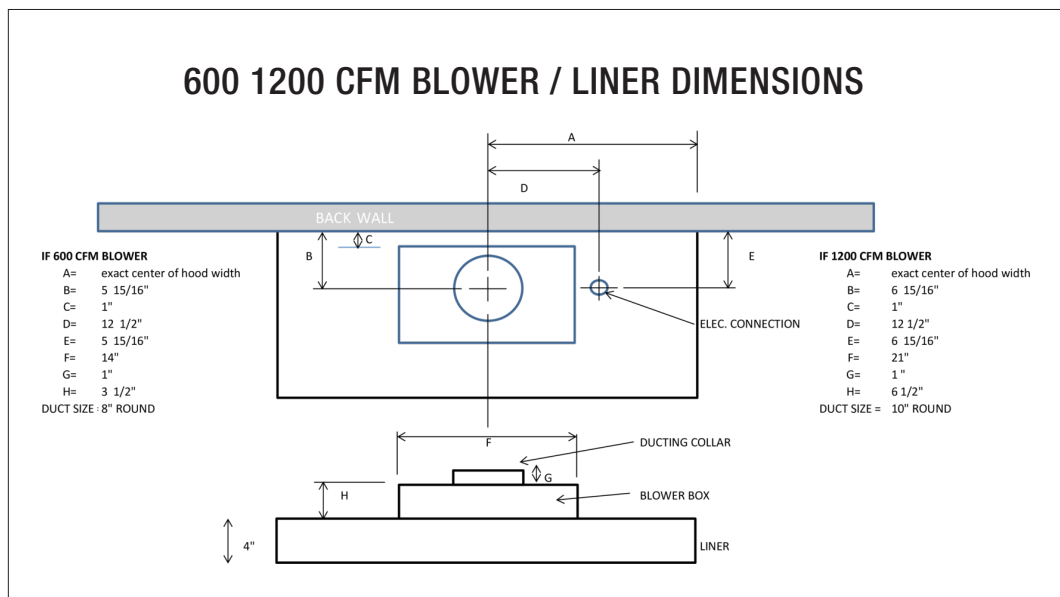
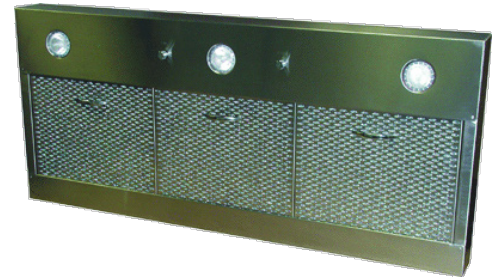
## B-390 BROAN 390 CFM BLOWER UNIT

- For wood hoods: RHMD; RHCH, RHCHRA hoods in 30" and 36" widths only.
- Multi-speed fan control.
- Dual 40W incandescent lights.
- Features heat sentry - switches to high speed when high heat is detected.
- Dishwasher safe filters.
- Silver metallic powder coat finish on unit and surrounding liner.
- 390 CFM Blower / 6" round ducting.
- Backdraft damper included.
- 6" round duct exits top of blower unit on center.
- When installed, the centerline of the duct will be 4 3/4" from the back wall.
- Overall width is 20 1/2"; depth is 11 1/4"; height is 9 5/8"



## PML600 & PML1200 - 600 CFM and 1200 CFM BLOWER UNITS

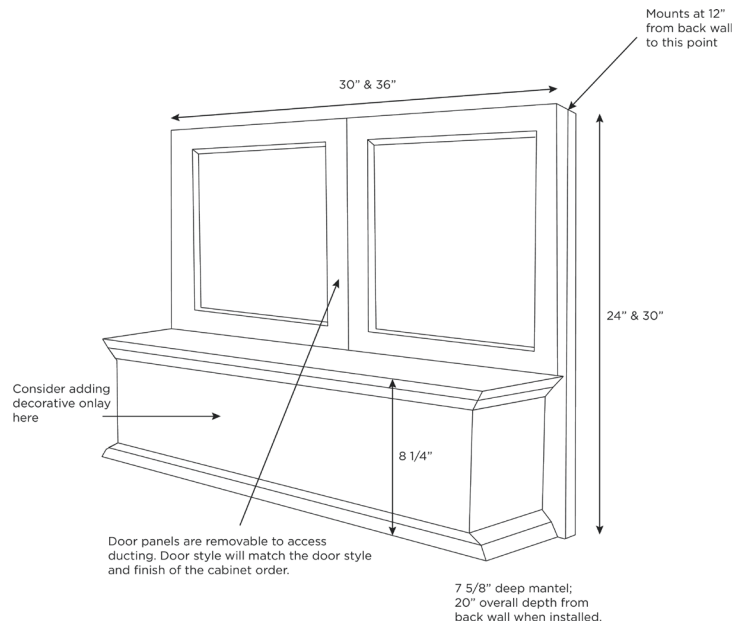
- For wood hoods: RHMD 42" and wider, RHCH, RHCHRA, RHE, RHWC, RHWR.
- Infinite speed fan control.
- Halogen lighting with dimmer control (2 lights on 30-36" wide hoods).
- Dishwasher safe stainless steel filters.
- 22 gauge 303 stainless steel housing.
- PML600 is an internal 600 CFM blower / 8" round ducting.
- PML1200 is an internal 1200 CFM blower / 10" round ducting.
- 8" & 10" round duct exits top of blower unit on center and near the back wall.
- The liner unit (shown to the left) is full width and depth of the hood, and 4" tall.
- The blower box connects to the top of liner and is 6 1/2" in height for the 600 CFM and 1200 CFM blower units.



# WOOD RANGE HOODS

## Wood Range Hood | RHMD

- MD wood hood is an economical mantel style hood.
- The door style panel will automatically match the door style and finish on the cabinet order. There will be two equal size door panels.
- The door panels are removable to facilitate vent install and hook up.
- This hood installs between two adjacent wall cabinets, and should be aligned with the adjacent cabinet box edges so that the door panels of the hood will be flush with adjacent wall cabinet doors.
- B-390 liner & blower assembly is included. The liner extends to back wall and attaches to both the back wall as well as underside of hood. See page 85.
- Height mod only. Mantel will remain same height. 21" minimum height.



**Note:**

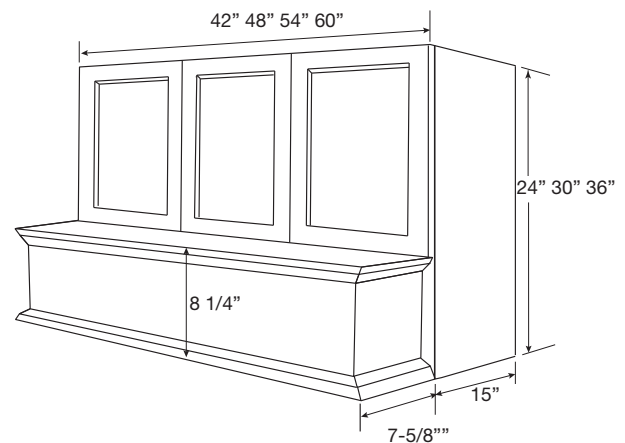
- Hood should be installed with a minimum clearance between countertop and bottom of hood at 24". Use 24" tall hoods for 84" - 90" design heights, & the 30" tall hood for 90" - 96" design heights. Check with your local building codes.

MINIMUM SIZE
No Modifications
MODIFICATIONS AVAILABLE
No Modifications

WOOD HOOD	WIDTH X HEIGHT
RHMD3024	30" X 24"
RHMD3624	36" X 24"
RHMD3630	36" X 30"

## Wood Range Hood | RHMD42

- The door style panel will automatically match the door style and finish on the cabinet order. There will be three equal size door panels.
- The door panels are removable to facilitate vent install and hook up.
- These widths of the MD hood are available with either the PML600 or PML1200 series blower/liner system, **must select**.
- Height mod only. Mantel will remain same height. 21" minimum height.



**Note:**

- Hood should be installed with a clearance between countertop and bottom of hood at 24" - 30".

**N 2020:**

- Select hood size.
- Open Attributes, then add-on's.
- Select Blower/Liner system.

MINIMUM SIZE
Minimum Height 21"
MODIFICATIONS AVAILABLE
No Modifications

WOOD HOOD	WIDTH X HEIGHT	WIDTH X HEIGHT	WIDTH X HEIGHT
RHMD42	42" X 24"	42" X 30"	42" X 36"
RHMD48	48" X 24"	48" X 30"	48" X 36"
RHMD54	54" X 24"	54" X 30"	54" X 36"
RHMD60	60" X 24"	60" X 30"	60" X 36"

# WOOD RANGE HOODS

## Wood Range Hood | RHCH

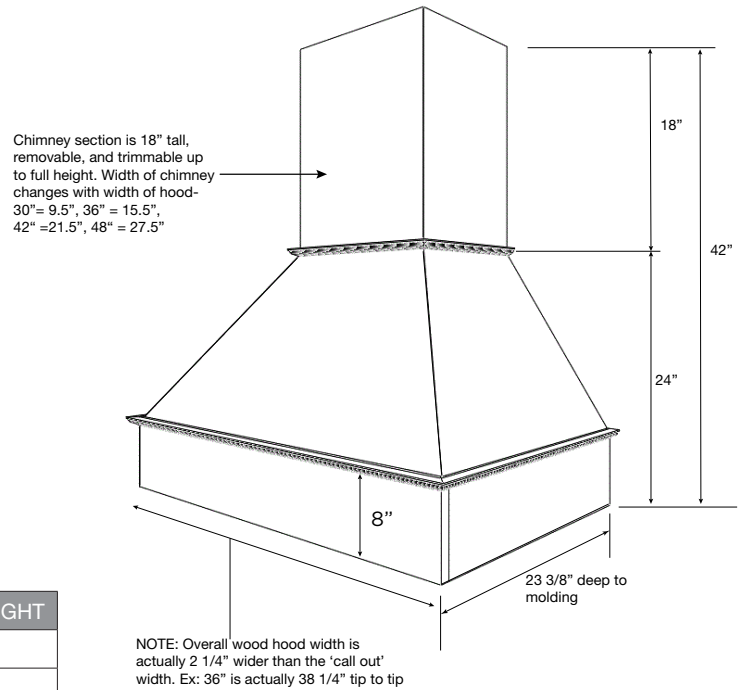
- RHCH is a classic chimney style wood hood.
- Hood is available in one standard height and trimmable.
- 30"- 48" wide hoods available with different blower/liner assemblies, **must select**.
- This style hood shows best when designed with clearance space on each side.
- Example: A 36" hood width should be placed in a wall space of 39" or greater, and would be above a 30" - 36" cooking surface.
- Available in Alder, Cherry, Maple, Red Oak.

### N 2020:

- Select hood size.
- Open Attributes, then add-on's.
- Select Blower/Liner system.

MINIMUM SIZE
No Modifications
MODIFICATIONS AVAILABLE
No Modifications

42" HIGH	WIDTH X HEIGHT
RHCH30	30" X 42"
RHCH36	36" X 42"
RHCH42	42" X 42"
RHCH48	48" X 42"

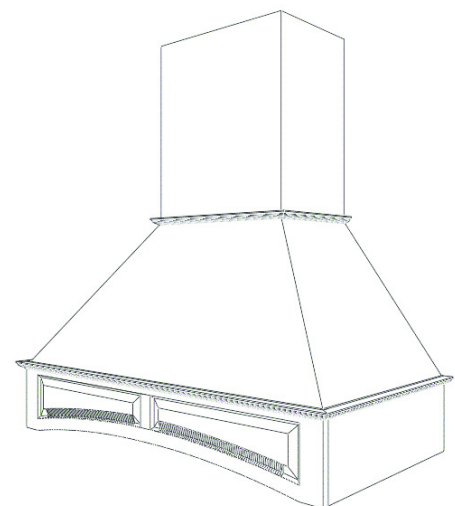


## Wood Range Hood | RHCHRA (Raised Panel)

- RHCHRA hood is same dimensions as RHCH. front fascia is solid wood raised arched panel.

MINIMUM SIZE
No Modifications
MODIFICATIONS AVAILABLE
No Modifications

42" HIGH	WIDTH X HEIGHT
RHCHRA30	30" X 42"
RHCHRA36	36" X 42"
RHCHRA42	42" X 42"
RHCHRA48	48" X 42"





## Wall Triangle End | WTE

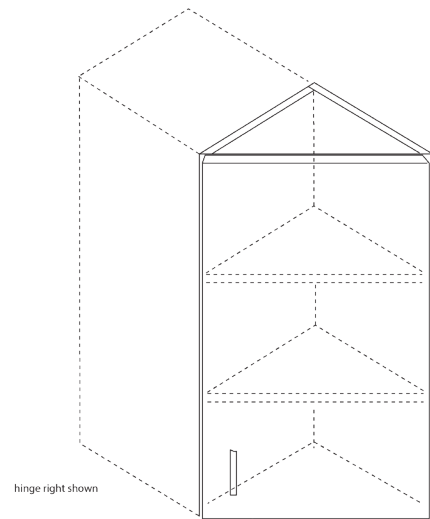
- 12" x 12" with 45 degree face and hinged door.
- Back surfaces against wall and cabinet are not finished surfaces.
- Two fixed shelves, evenly spaced. three shelves at 42" height.
- Use at end of run.
- Factory finished ends are not available

**Note:**

- Soft close hinges are not available on Wall Triangle End Cabinets.

MINIMUM SIZE	
Minimum Depth	No Mods
Minimum Width	No Mods
Minimum Height	10"
MODIFICATIONS AVAILABLE	
Finished Interior	
Frame for Glass Door	
Metal Frame Door	
Recessed Bottom	
See Modifications for other available mods and details.	

12" DEEP
WTE1230
WTE1233
WTE1236
WTE1239
WTE1242

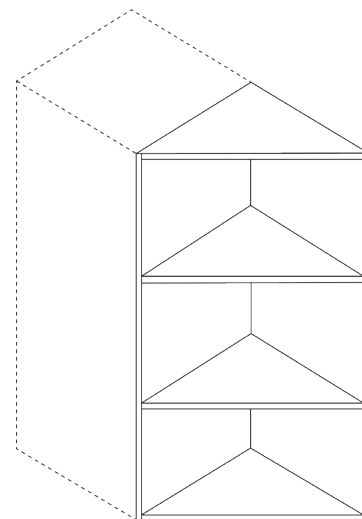


## Wall Triangle End Open | WTEO

- 12" x 12" with 45 degree face.
- Cabinet constructed with 3/4" thick sides, top, bottom and shelves.
- All exposed surfaces are finished material. Back sides against wall and cabinet are not finished.
- Two fixed shelves evenly spaced.
- Three shelves at 42" height.
- Use at end of run.

MINIMUM SIZE	
Minimum Depth	No Mods
Minimum Width	No Mods
Minimum Height	10"
MODIFICATIONS AVAILABLE	
No Modifications	
See Modifications for other available mods and details.	

12" DEEP
WTEO1230
WTEO1233
WTEO1236
WTEO1239
WTEO1242

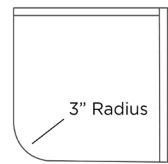


## Wall Open End Angle | WOE A

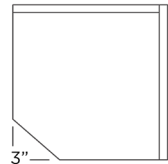
- Cabinets constructed with 3/4" thick sides, top, bottom, and shelves. Two fixed shelves 30 - 39" high; 3 shelves @ 42" height.
- All interior and exterior surfaces are finished to match.
- Case edge band is real wood veneer 'tape' on wood door orders.
- The A grade side of wood veneers will be placed on the interior side of the cabinet unless a finished end is specified, in which case the A side will be used on the exterior side. There is no additional charge for finished ends on this open cabinet.

MINIMUM SIZE	
Minimum Depth	No Mods
Minimum Width	No Mods
Minimum Height	10"
MODIFICATIONS AVAILABLE	
No Modifications	
See Modifications for other available mods and details.	

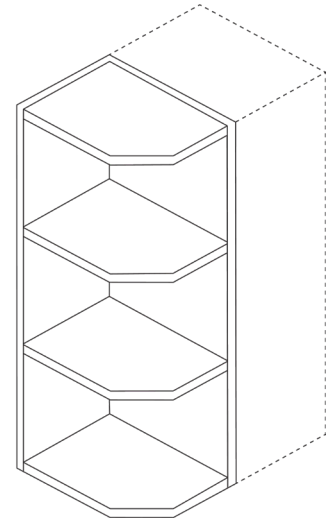
12" DEEP
WOEA930
WOEA933
WOEA936
WOEA939
WOEA942



STANDARD WOER

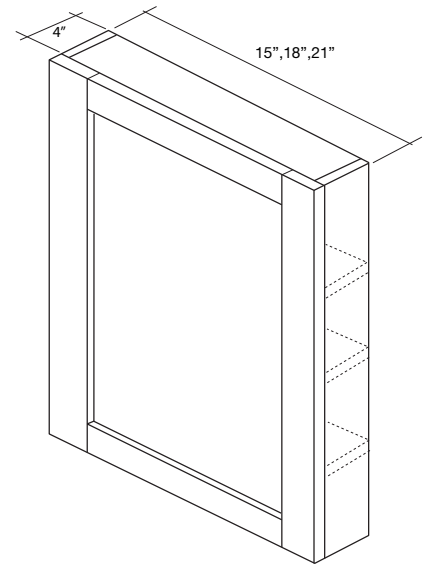


STANDARD WOE A



## Surface Medicine Cabinet | SMC

- 4" deep wall cabinet.
- Single full width door.
- Specify hinge left or right.
- Specify finished ends (not included).
- Three adjustable shelves included.
- For field install mirror, modify door to frame for glass, M-FD. Check door style for availability.



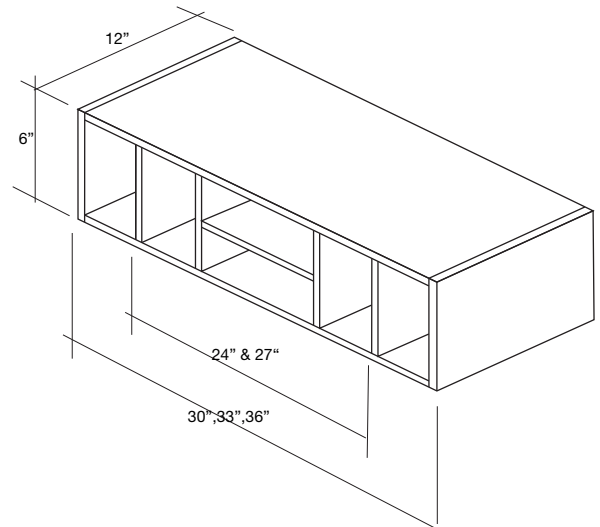
MINIMUM SIZE	
Minimum Depth	4"
Minimum Width	9"
Minimum Height	10"
MODIFICATIONS AVAILABLE	
Frame for Glass Door	
Metal Frame Door	
Recessed Bottom	
See Modifications for other available mods and details.	

30" HIGH	36" HIGH
SMC1530	SMC1536
SMC1830	SMC1836
SMC2130	SMC2136

## Letter Organizer | LO

6" HIGH

- Constructed with finished interior and exterior.
- Standard cabinet height is 6".
- Standard cabinet depth is 12".
- Only two 'cubby' holes in 24" and 27" widths.



MINIMUM SIZE	
Minimum Depth	4"
Minimum Width	No Mods
Minimum Height	No Mods
MODIFICATIONS AVAILABLE	
No Modifications	
See Modifications for other available mods and details.	

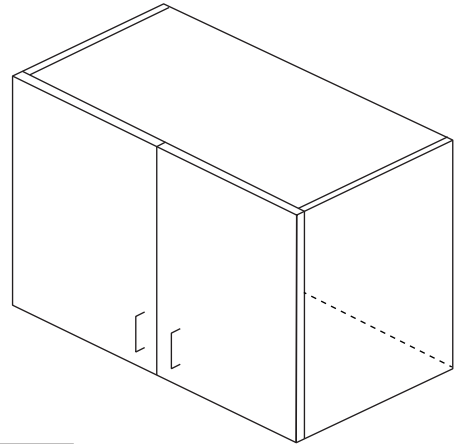
6" HIGH
L02406
L02706
L03006
L03306
L03606



## Wall Cabinets | W15

15", 18" (No Shelf) | 21" 24" 27" High (1 Shelf)

- 12" - 21" wide wall cabinets will have a single door, specify hinge left or right.
- 24" - 42" wide wall cabinets will have double doors of equal width.
- 36 1/4" - 42" wide wall cabinets will have a 5/8" thick vertical center partition with independently adjustable shelves on each side.



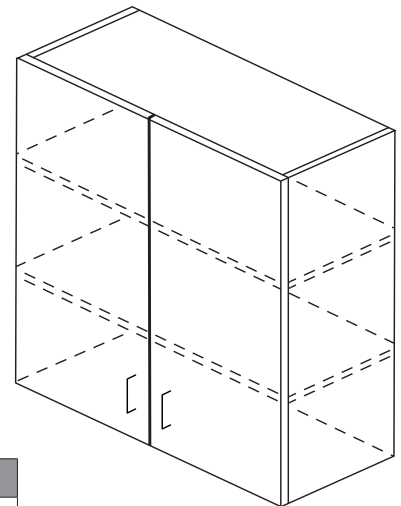
15" HIGH 15" DEEP	18" HIGH 15" DEEP	21" HIGH 15" DEEP	24" HIGH 15" DEEP	27" HIGH 15" DEEP
W121515	W121815	W122115	W122415	W122715
W13.51515	W13.51815	W13.52115	W13.52415	W13.52715
W151515	W151815	W152115	W152415	W152715
W16.51515	W16.51815	W16.52115	W16.52415	W16.52715
W181515	W181815	W182115	W182415	W182715
W19.51515	W19.51815	W19.52115	W19.52415	W19.52715
W211515	W211815	W212115	W212415	W212715
W241515	W241815	W242115	W242415	W242715
W271515	W271815	W272115	W272415	W272715
W301515	W301815	W302115	W302415	W302715
W331515	W331815	W332115	W332415	W332715
W3631515	W361815	W362115	W362415	W362715
W391515	W391815	W392115	W392415	W392715
W421515	W421815	W422115	W422415	W422715

MINIMUM SIZE	
Minimum Depth	12-1/4"
Minimum Width	9"
Minimum Height	10"
MODIFICATIONS AVAILABLE	
Finished Interior	
Frame for Glass Door	
Metal Frame Door	
Recessed Bottom	
See Modifications for other available mods and details.	

## Wall Cabinets | W15

30", 33", 36", 39" High (2 Shelves) | 42" High (3 Shelves)

- 12" - 21" wide wall cabinets will have a single door, specify hinge left or right.
- 24" - 42" wide wall cabinets will have double doors of equal width.
- 36 1/4" and 42" wide wall cabinets will have a 5/8" thick vertical center partition with independently adjustable shelves on each side.



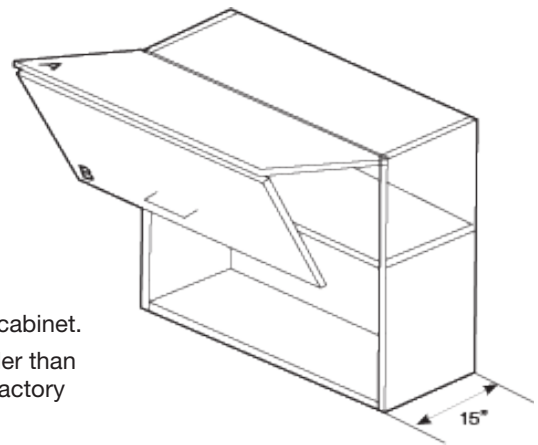
30" HIGH 15" DEEP	33" HIGH 15" DEEP	36" HIGH 15" DEEP	39" HIGH 15" DEEP	42" HIGH 15" DEEP
W123015	W123315	W123615	W123915	W124215
W13.53015	W13.53315	W13.53615	W13.53915	W13.54215
W153015	W153315	W153615	W153915	W154215
W16.53015	W16.53315	W16.53615	W16.53915	W16.54215
W183015	W183315	W183615	W183915	W184215
W19.53015	W19.53315	W19.53615	W19.53915	W19.54215
W213015	W213315	W213615	W213915	W214215
W243015	W243315	W243615	W243915	W244215
W273015	W273315	W273615	W273915	W274215
W303015	W303315	W303615	W303915	W304215
W333015	W333315	W333615	W333915	W334215
W363015	W363315	W363615	W363915	W364215
W393015	W393315	W393615	W393915	W394215
W423015	W423315	W423615	W423915	W424215

MINIMUM SIZE	
Minimum Depth	12-1/4"
Minimum Width	9"
Minimum Height	10"
MODIFICATIONS AVAILABLE	
Finished Interior	
Frame for Glass Door	
Metal Frame Door	
Recessed Bottom	
See Modifications for other available mods and details.	

## Wall Bi-Fold Tilt Up Door | WBTUD15

24", 27", 30", 33", 36" High

- Provides a contemporary functional approach to wall cabinet storage.
- Top 'A' door is hinged to cabinet.
- Handle to be mounted on bottom rail of 'B' door.
- Second 'B' door is hinged to top door.
- Lift mechanism allows for smooth lift and bi-fold action, plus soft close.
- Doors are out of the way for easy access to storage.
- Includes adjustable shelf / shelves; same specs as standard wall cabinet.



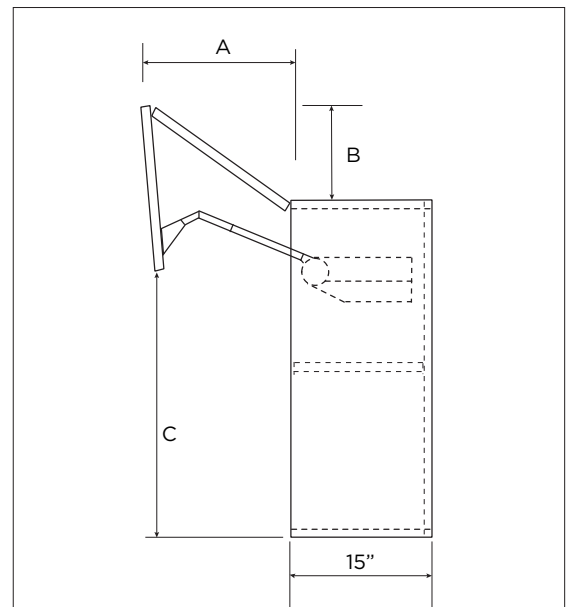
**Note:**

- 36 1/4" – 48" widths will have a 5/8" vertical partition in the center of the cabinet.
- A third lift mechanism may be required on cabinets 39" and wider and taller than 30"; depending upon door weight. Latitude will make determination and factory install; no price change. Mechanism will be mounted on center partition.
- Consider mounting height & ease of reach when designing with this cabinet; must allow clearance above for full lift motion. Be aware of crown molding interference.
- Stile and Rail constructed door styles will have one center panel with no center stile in all widths.
- Modify to Frame A glass frame door (MFD) is allowed. See Modifications. Be aware that lift mechanism hardware will show, and cabinet interior is box material, not finished to match. Stile and Rail constructed door styles will have one center panel with no center stile in all widths.

MINIMUM SIZE	
Minimum Depth	12-1/4"
Minimum Width	15"
Minimum Height	21"
MODIFICATIONS AVAILABLE	
Finished Interior	
Frame for Glass Door	
Metal Frame Door	
Recessed Bottom	
See Modifications for other available mods and details.	

24" HIGH 15" DEEP	27" HIGH 15" DEEP	30" HIGH 15" DEEP	33" HIGH 15" DEEP	36" HIGH 15" DEEP
WBTUD242415	WBTUD242715	WBTUD243015	WBTUD243315	WBTUD243615
WBTUD272415	WBTUD272715	WBTUD273015	WBTUD273315	WBTUD273615
WBTUD302415	WBTUD302715	WBTUD303015	WBTUD303315	WBTUD303615
WBTUD332415	WBTUD332715	WBTUD333015	WBTUD333315	WBTUD333615
WBTUD362415	WBTUD362715	WBTUD363015	WBTUD363315	WBTUD363615
WBTUD392415	WBTUD392715	WBTUD393015	WBTUD393315	WBTUD393615
WBTUD422415	WBTUD422715	WBTUD423015	WBTUD423315	WBTUD423615
WBTUD452415	WBTUD452715	WBTUD453015	WBTUD453315	WBTUD453615
WBTUD482415	WBTUD482715	WBTUD483015	WBTUD483315	WBTUD483615

Side View



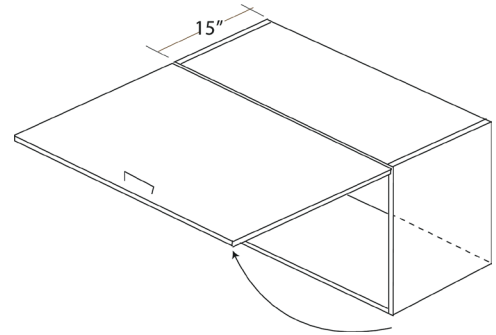
CLEARANCE CHART

CABINET HEIGHT	A	B	C
24"	12"	6-1/4"	18-1/4"
27"	13"	7"	20-1/2"
30"	14-1/2"	7-1/2"	22-1/4"
33"	16"	8"	24-1/2"
36"	17-1/4"	9"	27"

## Wall Tilt Up Door | WTUD15

12", 15", 18" High

- Door tilts up to a 105 degree angle. SOFT-CLOSE lifts support opened door.
- Adjustments allow for holding open door in position.
- Recommended top of cabinet be at 78" or less from floor to assure door can be reached in open position.
- 36 1/4" - 48" Widths will have 5/8" center vertical partition for cabinet structural support.
- No adjustable shelves.



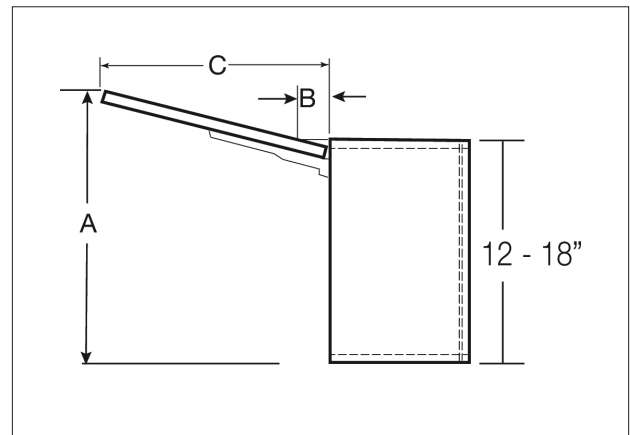
**Note:**

- Stile and Rail constructed door styles will have one center panel with no center stile.
- Modify to Frame A glass frame door (M-FD) is allowed. See Modifications. Be aware that lift mechanism hardware will show.

MINIMUM SIZE	
Minimum Depth	12-1/4"
Minimum Width	15"
Minimum Height	10"
MODIFICATIONS AVAILABLE	
Finished Interior	
Frame for Glass Door	
Metal Frame Door	
Recessed Bottom	
See Modifications for other available mods and details.	

12" HIGH 15" DEEP	15" HIGH 15" DEEP	18" HIGH 15" DEEP
WTUD181215	WTUD181515	WTUD181815
WTUD211215	WTUD211515	WTUD211815
WTUD241215	WTUD241515	WTUD241815
WTUD271215	WTUD271515	WTUD271815
WTUD301215	WTUD301515	WTUD301815
WTUD331215	WTUD331515	WTUD331815
WTUD361215	WTUD361515	WTUD361815
WTUD391215	WTUD391515	WTUD391815
WTUD421215	WTUD421515	WTUD421815
WTUD451215	WTUD451515	WTUD451815
WTUD481215	WTUD481515	WTUD481815

Side View



CLEARANCE CHART			
CABINET HEIGHT	A	B	C
12"	15-1/4"	2-1/4"	12-1/2"
15"	19-1/8"	2-1/4"	15-1/2"
18"	23"	2-1/4"	18-1/2"

These dimensions apply to all Wall Tilt Up Door Cabinets. B is the distance for clearance from top cabinet edge to door surface in open position.

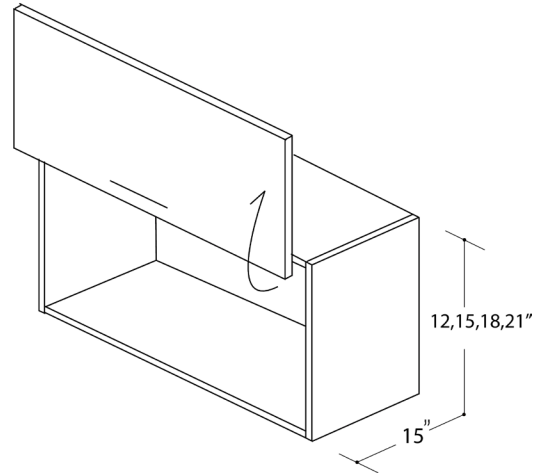
## Wall Lift Up Door | WLUD15

12", 15", 18", 21" High

- Door pulls out and then lifts up staying in the same vertical plane.
- Stops in place in front of cabinet face above.
- Allows full access to cabinet interior.
- 12"-18" high no shelving, 21" height includes one adjustable shelf
- 36 1/4" - 48" widths will have a 5/8" thick vertical center partition for cabinet structural support.

**Note:**

- Stile and Rail constructed door styles will have one center panel with no center stile.
- Modify to Frame A glass frame door (M-FD) is allowed. See Modifications.
- Be aware that lift mechanism hardware will show.

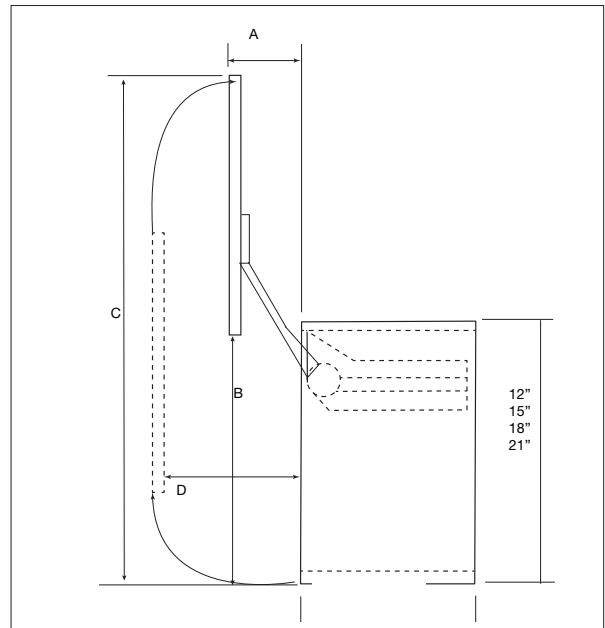


MINIMUM SIZE	
Minimum Depth	12"
Minimum Width	15"
Minimum Height	12"
MODIFICATIONS AVAILABLE	
Finished Interior	
Frame for Glass Door	
Metal Frame Door	
Recessed Bottom*	
See Modifications for other available mods and details.	

\*Recessed Bottom not available on less than 12" tall.

12" HIGH 15" DEEP	15" HIGH 15" DEEP	18" HIGH 15" DEEP	21" HIGH 15" DEEP
WLUD181215	WLUD181515	WLUD181815	WLUD182115
WLUD211215	WLUD211515	WLUD211815	WLUD212115
WLUD241215	WLUD241515	WLUD241815	WLUD242115
WLUD271215	WLUD271515	WLUD271815	WLUD272115
WLUD301215	WLUD301515	WLUD301815	WLUD302115
WLUD331215	WLUD331515	WLUD331815	WLUD332115
WLUD361215	WLUD361515	WLUD361815	WLUD362115
WLUD391215	WLUD391515	WLUD391815	WLUD392115
WLUD421215	WLUD421515	WLUD421815	WLUD422115
WLUD451215	WLUD451515	WLUD451815	WLUD452115
WLUD481215	WLUD481515	WLUD481815	WLUD482115

Side View



CLEARANCE CHART

CABINET HEIGHT	A	B	C	D
12"	5-1/4"	10"	21-3/4"	7-1/2"
15"	6-1/2"	13-1/2"	28-1/4"	9"
18"	7-3/4"	17"	34-3/4"	11-3/4"
21"	7-3/4"	17"	37-3/4"	11-3/4"

These dimensions apply to all Wall Lift Up Door Cabinets: WLUD, WLUMD, WFLUMD.



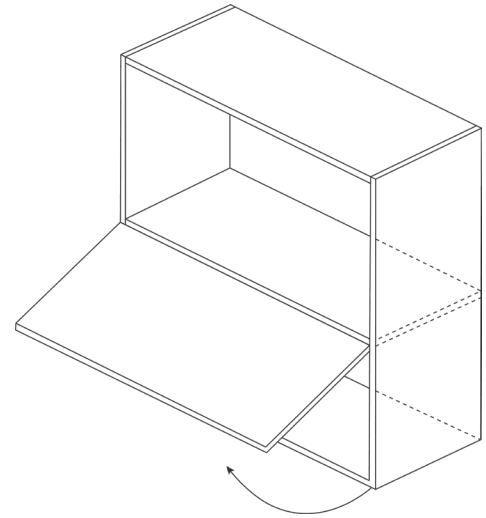
## Wall Open Tilt Up Door Bottom | WOTDB15

24", 30", 36" Total Height

- Wall Open Finished Interior cabinet that includes a Tilt Up door on the bottom section of the cabinet.
- The tilt up door can be modified to wood glass door (M-FD).
- Cabinet box is 3/4" thick material, and finished on all interior and exterior surfaces; edgebanding will match door material and color.
- 36 1/4" - 48" widths will have a 3/4" thick center vertical partition in both sections.
- Bottom door height = the same door height as a wall 12" (for 24" height); wall 15" (for 30" height); and wall 18" (for 36" height).
- No adjustable shelves; and no line boring.

**Note:**

- Stile and Rail constructed door styles will have one center panel with no center stile.
- Modify to Frame A glass frame door (M-FD) is allowed. See Modifications. Be aware that lift mechanism hardware will show.



MINIMUM SIZE	
Minimum Depth	12-1/4"
Minimum Width	15"
Minimum Height	21"
MODIFICATIONS AVAILABLE	
Frame for Glass Door	
Metal Frame Door	
Recessed Bottom	
See Modifications for other available mods and details.	

24" HIGH 15" DEEP	30" HIGH 15" DEEP	36" HIGH 15" DEEP
WOTDB182415	WOTDB183015	WOTDB183615
WOTDB212415	WOTDB213015	WOTDB213615
WOTDB242415	WOTDB243015	WOTDB243615
WOTDB272415	WOTDB273015	WOTDB273615
WOTDB302415	WOTDB303015	WOTDB303615
WOTDB332415	WOTDB333015	WOTDB333615
WOTDB362415	WOTDB363015	WOTDB363615
WOTDB392415	WOTDB393015	WOTDB393615
WOTDB422415	WOTDB423015	WOTDB423615
WOTDB452415	WOTDB453015	WOTDB453615
WOTDB482415	WOTDB483015	WOTDB483615

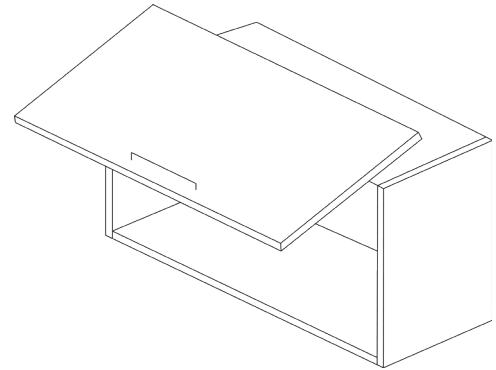
## Wall Lift Over Top | WLOT15

15", 18", 21" High

- Provides a contemporary functional approach to wall cabinet storage.
- Door is hinged to cabinet with special tilt system allowing door to tilt over the top of the cabinet providing easy access.
- Mechanism allows for smooth lift, plus soft close.
- Adjustable shelf in 21" height

**Note:**

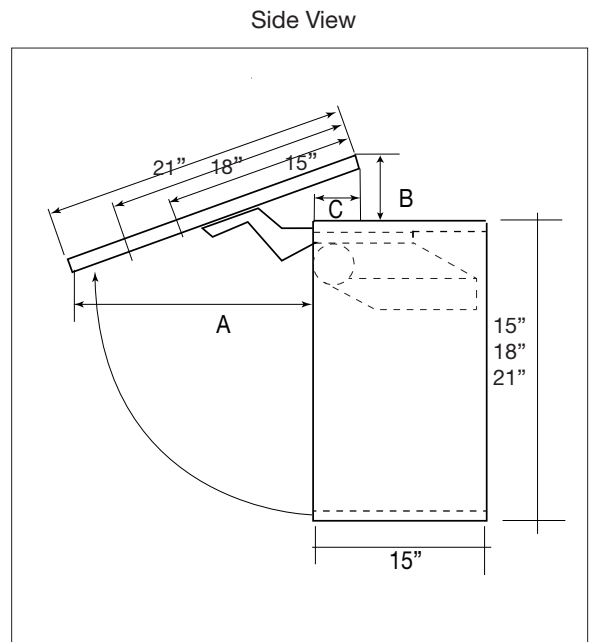
- Consider mounting height & ease of reach when designing with this cabinet; must allow clearance above for full lift motion. Be aware of crown molding interference.
- 36 1/4" – 48" widths will have a 5/8" vertical partition in the center of the cabinet. On 21" heights, there will be a single adjustable shelf on each side of the partition.
- Stile and Rail constructed door styles will have one center panel with no center stile.



MINIMUM SIZE	
Minimum Depth	12-1/4"
Minimum Width	15"
Minimum Height	10"
MODIFICATIONS AVAILABLE	
Finished Interior	
Frame for Glass Door	
Metal Frame Door	
Recessed Bottom*	
See Modifications for other available mods and details.	

\*Recessed Bottom not available on less than 12" tall.

15" HIGH 15" DEEP	18" HIGH 15" DEEP	21" HIGH 15" DEEP
WLOT181515	WLOT181815	WLOT182115
WLOT211515	WLOT211815	WLOT212115
WLOT241515	WLOT241815	WLOT242115
WLOT271515	WLOT271815	WLOT272115
WLOT301515	WLOT301815	WLOT302115
WLOT331515	WLOT331815	WLOT332115
WLOT361515	WLOT361815	WLOT362115
WLOT391515	WLOT391815	WLOT392115
WLOT421515	WLOT421815	WLOT422115
WLOT451515	WLOT451815	WLOT452115
WLOT481515	WLOT481815	WLOT482115



CLEARANCE CHART			
CABINET HEIGHT	A	B	C
15"	10 1/4"	6-1/2"	3-3/4"
18"	12-1/2"	6-1/2"	3-3/4"
21"	14-3/4"	6-1/2"	3-3/4"

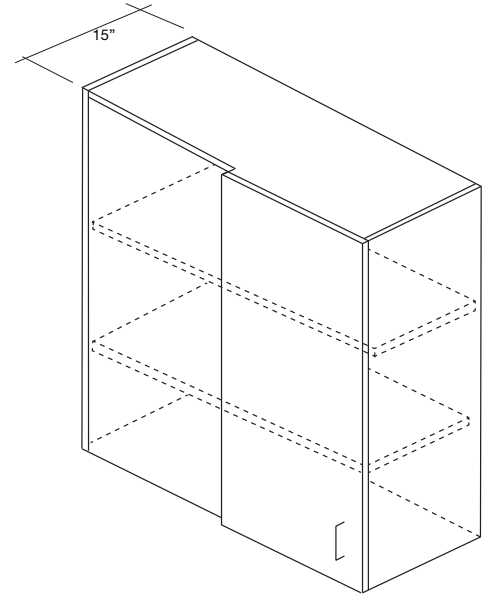
## Wall Blind Corner | WBC15

27", 30" High | 33", 36", 39" (2 Shelves) | 42" High (3 Shelves)

- Pull and install 3" from corner. (\*Example: WBC3630 cabinet is actually 33" wide, but is designed to fit in a 35" - 37 1/2" wide space.)

**Note:**

- Designed to fit in a 27", 30", 33", or 36" wide space.
- Blind panel is finished to match door material.

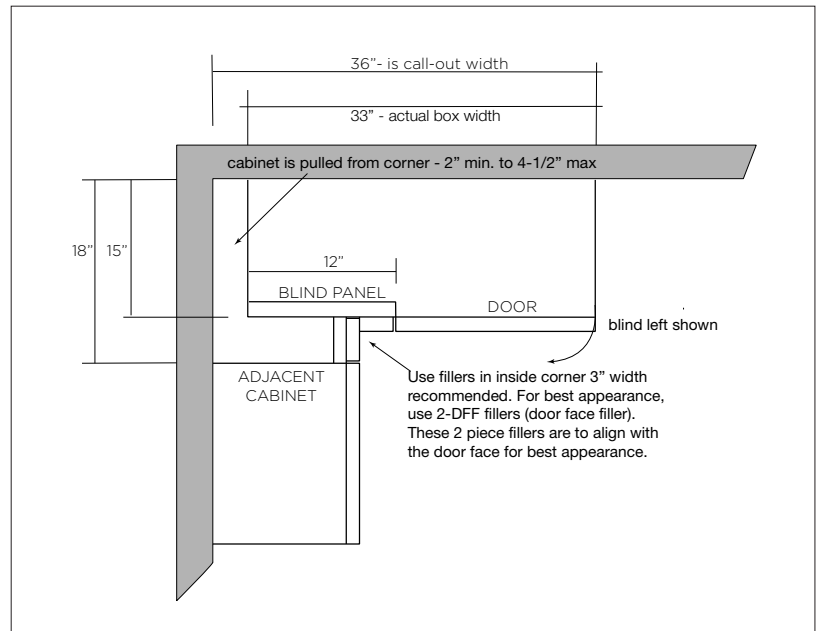


Blind left shown

27" HIGH 15" DEEP	30" HIGH 15" DEEP	33" HIGH 15" DEEP	36" HIGH 15" DEEP	39" HIGH 15" DEEP	42" HIGH 15" DEEP
WBC272715	WBC273015	WBC273315	WBC273615	WBC273915	WBC274215
WBC302715	WBC303015	WBC303315	WBC303615	WBC303915	WBC304215
WBC332715	WBC333015	WBC333315	WBC333615	WBC333915	WBC334215
WBC362715	WBC363015	WBC363315	WBC363615	WBC363915	WBC364215

MINIMUM SIZE	
Minimum Depth	12 1/4"
Minimum Width	No Mods
Minimum Height	10"
MODIFICATIONS AVAILABLE	
Finished Interior	
Frame for Glass Door	
Metal Frame Door	
Recessed Bottom	
See Modifications for other available mods and details.	

### Corner Details



CLEARANCE CHART			
CABINET WIDTH	INSTALL RANGE	DOOR SIZE	ACTUAL CABINET WIDTH
27"	25-1/2" - 28-1/2"	12"	24"
30"	28-1/2" - 31-1/2"	15"	27"
33"	31-1/2" - 34-1/2"	18"	30"
36"	34-1/2" - 37-1/2"	21"	33"

## Wall Angle Corner | WAC15

24" Wide

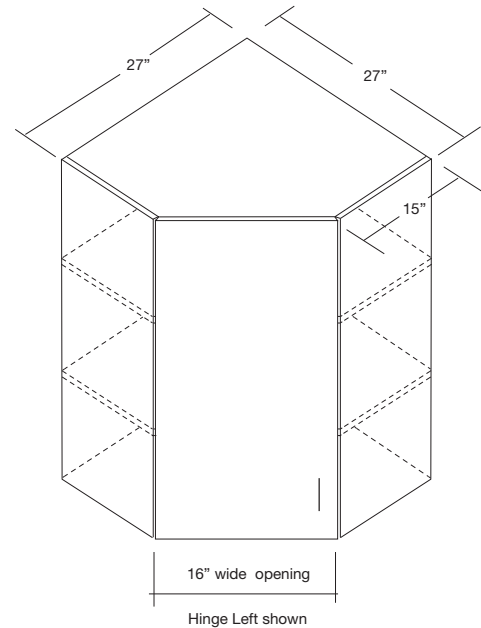
- Designed to use with 15" deep wall cabinets
- 24" High = 1 Shelves.
- 30"-39" High = 2 Shelves.
- 42" High = 3 Shelves.
- Specify hinge left or right.

**Note:**

- No fillers required on adjacent cabinets.

MINIMUM SIZE	
Minimum Depth	No Mods
Minimum Width	No Mods
Minimum Height	10"
MODIFICATIONS AVAILABLE	
Finished Interior	
Frame for Glass Door	
Metal Frame Door	
Recessed Bottom	
See Modifications for other available mods and details.	

27" HIGH 15" DEEP
WAC272415
WAC272715
WAC273015
WAC273315
WAC273615
WAC273915
WAC274215



## Wall Angle Corner Open | WAC015

24" Wide

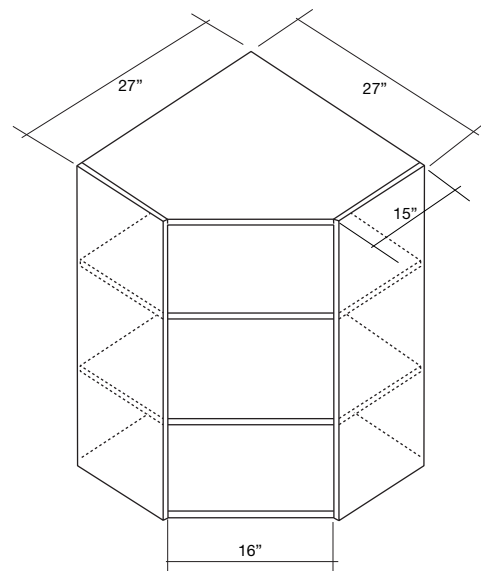
- Cabinets constructed with 3/4" thick sides, top, bottom, and shelves.
- All interior and exterior surfaces are finished to match.
- Case edge band is real wood veneer 'tape' on wood door orders.
- There is no additional charge for finished ends on this open cabinet; they are included.

**Note:**

- No fillers required on adjacent cabinets.

MINIMUM SIZE	
Minimum Depth	No Mods
Minimum Width	No Mods
Minimum Height	10"
MODIFICATIONS AVAILABLE	
Finished Interior	
Frame for Glass Door	
Metal Frame Door	
Recessed Bottom	
See Modifications for other available mods and details.	

24" HIGH 15" DEEP
WAC0272415
WAC0272715
WAC0273015
WAC0273315
WAC0273615
WAC0273915
WAC0274215



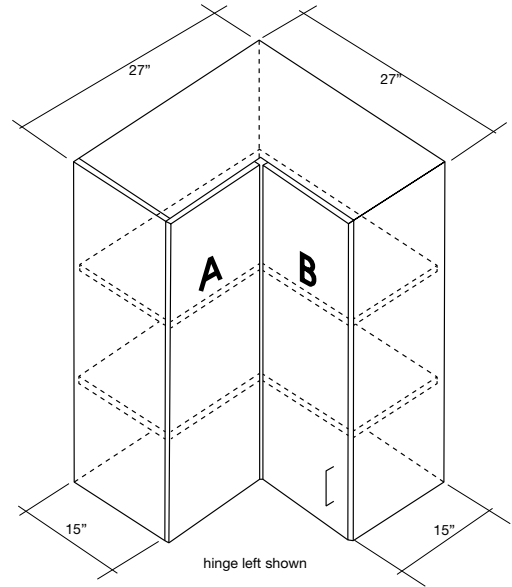
## Wall Square Corner | WSC15

24" Wide

- 24" = 1 shelf.
- 30"- 39" High = 2 Shelves.
- 42" High = 3 Shelves.
- 'A' door is attached to cabinet with 165 degree opening hinges.
- 'B' door is attached to 'A' door.

**Note:**

- Do not recommend glass door option for WSC as hinges will be visible.
- No fillers required on adjacent cabinets.



MINIMUM SIZE	
Minimum Depth	No Mods
Minimum Width	No Mods
Minimum Height	10"
MODIFICATIONS AVAILABLE	
Finished Interior	
Frame for Glass Door	
Metal Frame Door	
Recessed Bottom	
See Modifications for other available mods and details.	

27" HIGH 15" DEEP
WSC272415
WSC272715
WSC273015
WSC273315
WSC273615
WSC273915
WSC274215

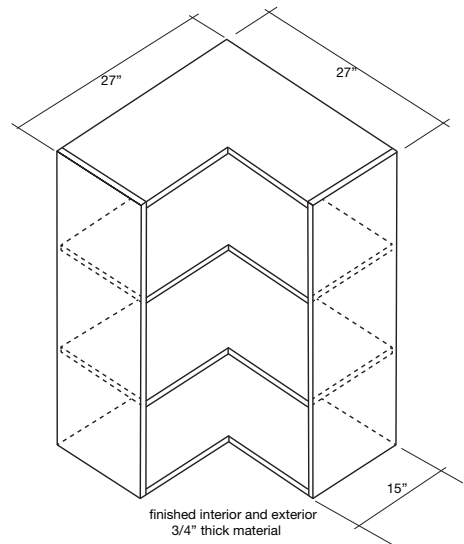
## Wall Square Corner Open | WSC015

27" Wide

- 24" = 1 shelf.
- 30"- 39" High = 2 Shelves.
- 42" High = 3 Shelves.
- Cabinets constructed with 3/4" thick sides, top, bottom, and shelves.
- All interior and exterior surfaces are finished to match.
- Case edge band is real wood veneer 'tape' on wood door orders.
- There is no additional charge for finished ends on this open cabinet; they are included.

**Note:**

- No fillers required on adjacent cabinets.



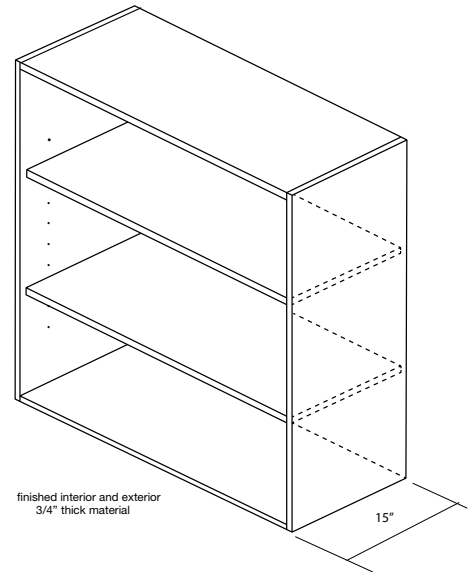
MINIMUM SIZE	
Minimum Depth	No Mods
Minimum Width	No Mods
Minimum Height	10"
MODIFICATIONS AVAILABLE	
No Modifications	
See Modifications for other available mods and details.	

27" HIGH 15" DEEP
WSC0272415
WSC0272715
WSC0273015
WSC0273315
WSC0273615
WSC0273915
WSC0274215

## Wall Open Finished Interior | W015

12", 15", 18" High (No Shelves) | 21", 24", 27" High (1 Shelf)  
 30", 33", 36", 39" High (2 Shelves) | 42" High (3 Shelves)

- Cabinets constructed with 3/4" thick sides, top, bottom, and shelves.
- All interior and exterior surfaces are finished to match.
- Case edge band is real wood veneer 'tape' on wood door orders.
- The A grade side of wood veneers will be placed on the interior side of the cabinet unless a finished end is specified, in which case the A side will be used on the exterior side. There is no additional charge for finished ends on this open cabinet.
- Sides and back will have vertical pattern/grain direction in all door styles.



12" HIGH 15" DEEP	15" HIGH 15" DEEP	18" HIGH 15" DEEP	21" HIGH 15" DEEP	24" HIGH 15" DEEP
W0121215	W0121515	W0121815	W0122115	W0122415
W013.51215	W013.51515	W013.51815	W013.52115	W013.52415
W0151215	W0151515	W0151815	W0152115	W0152415
W016.51215	W016.51515	W016.51815	W016.52115	W016.52415
W0181215	W0181515	W0181815	W0182115	W0182415
W019.51215	W019.51515	W019.51815	W019.52115	W019.52415
W0211215	W0211515	W0211815	W0212115	W0212415
W0241215	W0241515	W0241815	W0242115	W0242415
W0271215	W0271515	W0271815	W0272115	W0272415
W0301215	W0301515	W0301815	W0302115	W0302415
W0331215	W0331515	W0331815	W0332115	W0332415
W0361215	W0361515	W0361815	W0362115	W0362415

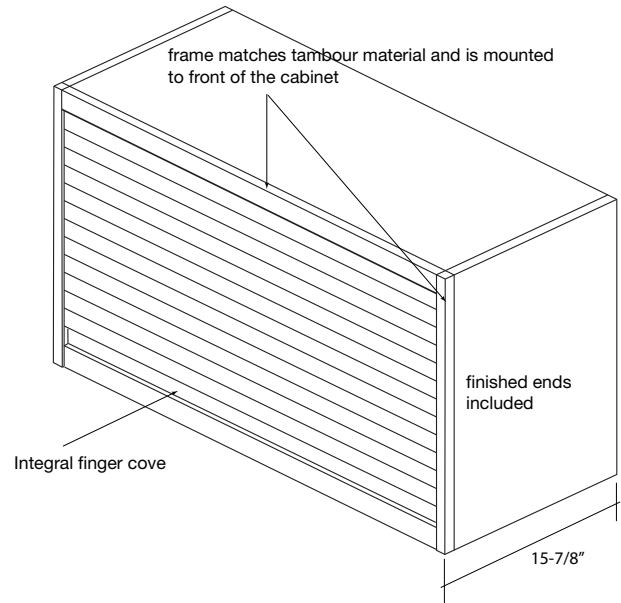
27" HIGH 15" DEEP	30" HIGH 15" DEEP	33" HIGH 15" DEEP	36" HIGH 15" DEEP	39" HIGH 15" DEEP	42" HIGH 15" DEEP
W0122715	W0123015	W0123315	W0123615	W0123915	W0124215
W013.52715	W013.53015	W013.53315	W013.53615	W013.53915	W013.54215
W0152715	W0153015	W0153315	W0153615	W0153915	W0154215
W016.52715	W016.53015	W016.53315	W016.53615	W016.53915	W016.54215
W0182715	W0183015	W0183315	W0183615	W0183915	W0184215
W019.52715	W019.53015	W019.53315	W019.53615	W019.53915	W019.54215
W0212715	W0213015	W0213315	W0213615	W0213915	W0214215
W0242715	W0243015	W0243315	W0243615	W0243915	W0244215
W0272715	W0273015	W0273315	W0273615	W0273915	W0274215
W0302715	W0303015	W0303315	W0303615	W0303915	W0304215
W0332715	W0333015	W0333315	W0333615	W0333915	W0334215
W0362715	W0363015	W0363315	W0363615	W0363915	W0364215

MINIMUM SIZE	
Minimum Depth	12-1/4"
Minimum Width	9"
Minimum Height	10"
MODIFICATIONS AVAILABLE	
No Modifications	
See Modifications for other available mods and details.	

## Straight Appliance Garage Metal Tambour | SAGM15, SAGM4815

18", 48" High

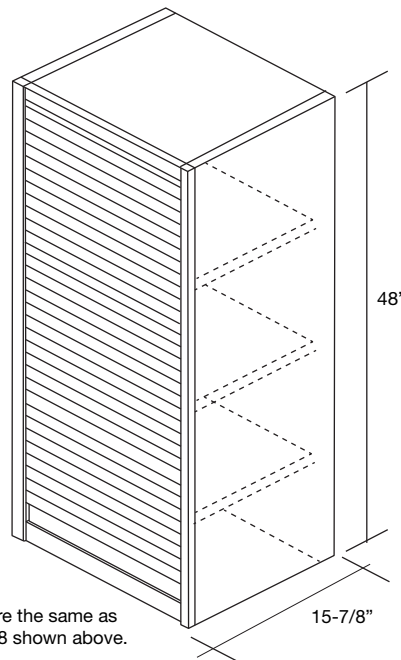
- No bottom on cabinet.
- Brushed aluminum finish tambour travels in track mounted inside the top and back of the cabinet.
- Usable inside depth on standard 1" deep SAGM is 13-1/2".
- Brushed aluminum framework covers front of cabinet box making overall outside depth including the metal frame 7/8" greater than the cabinet depth.
- Finished ends included.
- Clearance height when tambour fully opened is 13-3/4" on 18" height, and 43-1/2" on 48" height.
- Interior of cabinet will be box material.



MINIMUM SIZE
No Modifications
MODIFICATIONS AVAILABLE
Finished Interior
See Modifications for other available mods and details.

18" HIGH 15" DEEP
SAGM241815
SAGM271815
SAGM301815
SAGM331815
SAGM361815

48" HIGH 15" DEEP
SAGM184815

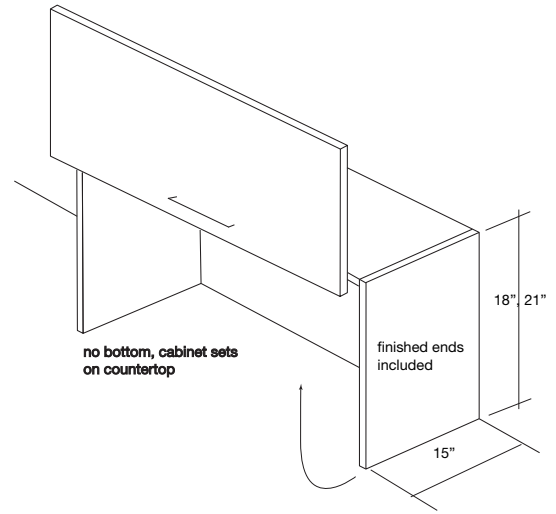


## Straight Appliance Garage Lift Up Door | SAGLD15 18" High

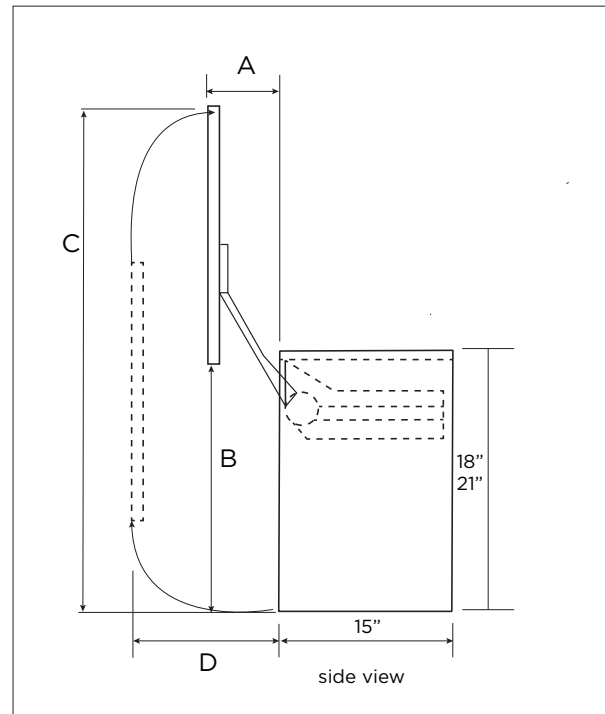
- Appliance garage with door lift-up mechanism. Door pulls out and then lifts up staying in the same vertical plane. Locks in place in front of cabinet face above.
- Allows full access to cabinet interior.
- 7" clearance between opened door and door face of cabinet above SAGLD.
- Factory finished ends included.
- Interior of cabinet will be box material.

MINIMUM SIZE	
Minimum Depth	12-1/4"
Minimum Width	15"
Minimum Height	12"
MODIFICATIONS AVAILABLE	
Finished Interior	
Frame for Glass Door	
Metal Frame Door	
See Modifications for other available mods and details.	

18" HIGH 15" DEEP	21" HIGH 15" DEEP
SAGLD1818	SAGLD1821
SAGLD2118	SAGLD2121
SAGLD2418	SAGLD2421
SAGLD2718	SAGLD2721
SAGLD3018	SAGLD3021
SAGLD3318	SAGLD3321
SAGLD3618	SAGLD3621



Side View



CLEARANCE CHART

CABINET HEIGHT	A	B	C	D
18"	9-1/4"	20 3/4"	38-1/4"	13"
21"	9-1/4"	20 3/4"	38-1/4"	13"

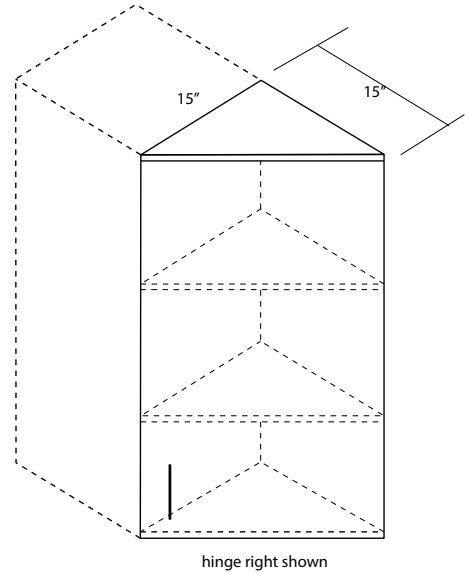


## Wall Triangle End | WTE15

- Two fixed shelves, evenly spaced. three shelves at 42" height.
- Use at end of run.
- Specify left or right.
- Factory finished ends are not available.

**Note:**

- Soft close hinges are not available on Wall Triangle End Cabinets.

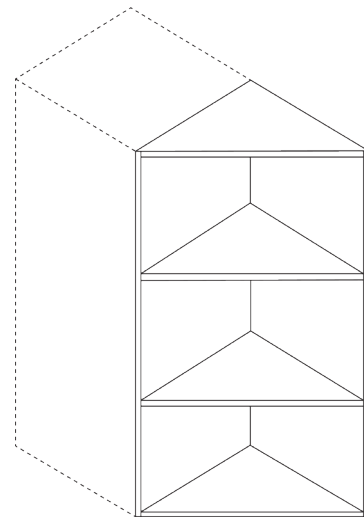


MINIMUM SIZE	
Minimum Depth	No Mods
Minimum Width	No Mods
Minimum Height	10"
MODIFICATIONS AVAILABLE	
Finished Interior	
Frame for Glass Door	
Metal Frame Door	
Recessed Bottom	
See Modifications for other available mods and details.	

15" DEEP
WTE153015
WTE153315
WTE153615
WTE153915
WTE154215

## Wall Triangle End Open | WTE015

- 12" x 12" with 45 degree face.
- Cabinet constructed with 3/4" thick sides, top, bottom and shelves.
- All exposed surfaces are finished material. Back sides against wall and cabinet are not finished.
- Two fixed shelves evenly spaced.
- Three shelves at 42" height.
- Use at end of run.



MINIMUM SIZE	
Minimum Depth	No Mods
Minimum Width	No Mods
Minimum Height	10"
MODIFICATIONS AVAILABLE	
No Modifications	
See Modifications for other available mods and details.	

15" DEEP
WTE0153015
WTE0153315
WTE0153615
WTE0153915
WTE0154215

## Wall Open End Angle | WOEA15

- Cabinets constructed with 3/4" thick sides, top, bottom, and shelves. Two fixed shelves 30 - 39" high; 3 shelves @ 42" height.
- All interior and exterior surfaces are finished to match.
- Case edge band is real wood veneer 'tape' on wood door orders.
- The A grade side of wood veneers will be placed on the interior side of the cabinet unless a finished end is specified, in which case the A side will be used on the exterior side. There is no additional charge for finished ends on this open cabinet.

MINIMUM SIZE	
Minimum Depth	No Mods
Minimum Width	No Mods
Minimum Height	10"
MODIFICATIONS AVAILABLE	
No Modifications	
See Modifications for other available mods and details.	

15" DEEP
WOEA93015
WOEA93315
WOEA93615
WOEA93915
WOEA94215

