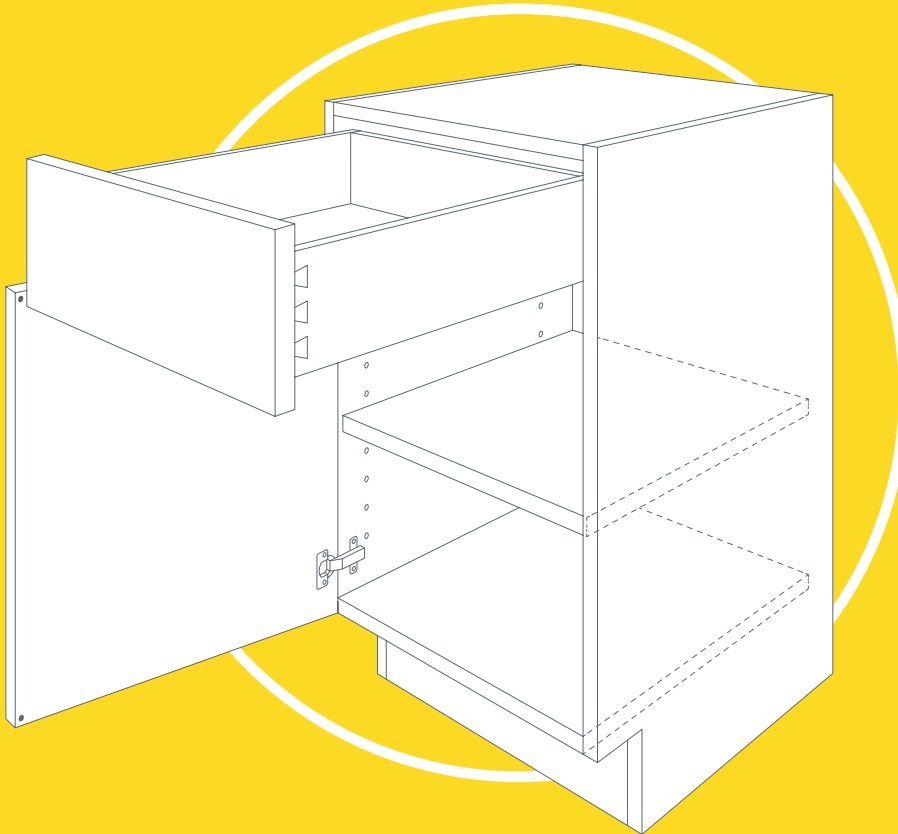




Base Cabinet Configurations



CABINET NOMENCLATURE

WFD301824

CABINET TYPE	WIDTH	HEIGHT	DEPTH
--------------	-------	--------	-------

ex. **W3036** = Wall Cabinet: 30-in wide x 36-in tall
Width x Height x Depth (depth is standard 12-in, so is not noted)

ex. **4BD18** = Four Base Drawer Cabinet: 18-in wide
Height x Depth not noted (these are standard 24-in deep x 34 1/2-in high)

...

BASE CABINETS: Standard 34 1/2-in tall (before countertop) and 24-in deep (not including door/drawer faces).

WALL CABINETS: Standard 12-in depth. Latitude offers an additional standard 15-in depth.

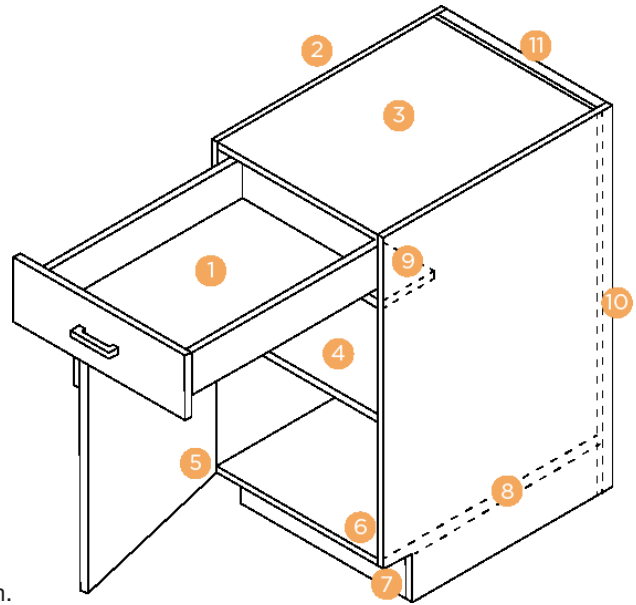
TALL CABINETS: Available in 84, 90, 93, and 96-in heights. 24-in deep with select 12-in deep options.

VANITY CABINETS: Available in 32-in and 34 1/2-in heights (*not including countertop*). Both are 21-in deep.

Cabinet sizing uses a 3-in increment system for width, height, and depth. Latitude Cabinets offers select base and wall cabinets in 1 1/2-in width increments to allow for design flexibility. Height, width, and depth reductions are also available on most cabinets.

BASE CABINET CONSTRUCTION

1. Dovetail wood Access Drawer with a full extension soft-close undermount guides is standard.
*Optional: Satino Drawer
2. Base cabinets are 24" deep standard.
3. 5/8" Full top.
4. 5/8" shelves are full depth and adjustable on steel shelf pins.
5. Doors attached with 110 degree opening, soft close hinges and door/drawer bumpers permanently attached.
6. 5/8" case construction and shelves (solid color PVC on all case edges).
7. Integral toe kick.
8. Concealed wood dowel and glue joints where sides join the top and bottoms.
9. Intermediate support stretcher under top drawer.
10. 1/4" thick back panel; inset into dado joints inside panel dado joints.
11. 5/8" x 4" fastening strips: doweled into sides; top and bottom.



Notes:

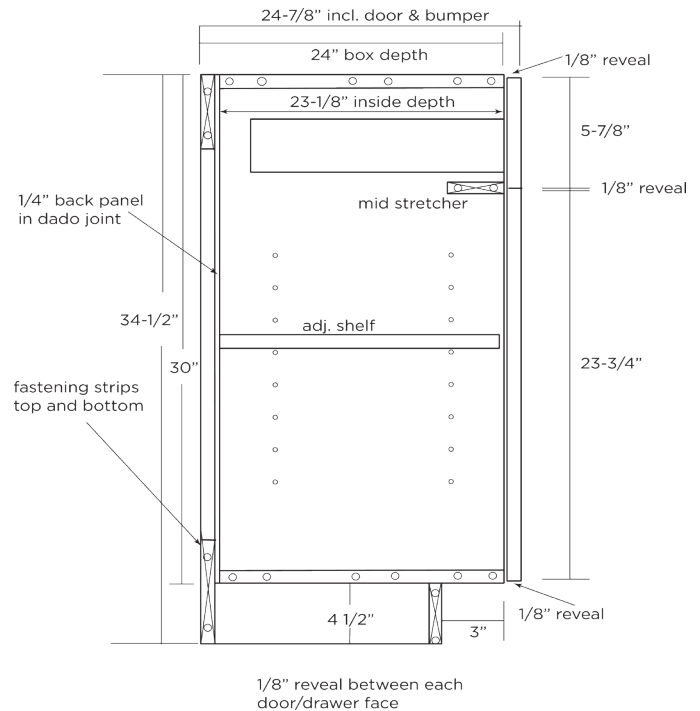
- Base cabinets 9-21" wide will have single width door; specify hinge direction.
- Base cabinets 24" and wider will have 2 equal width 'butt' doors; reveal or gap between doors will be 1/8" (3mm) once field adjusted.
- Toe kick is built as integral part of the cabinet; the side panels extend to the floor.
- Base cabinets 39" & 42" wide will include a 1 1/4" thick full center partition drilled for adjustable shelves on each side.
- Standard white and optional maple and gray melamine box construction material will be same material on all interior and exterior surfaces.
- Plywood option details - all interior and exterior surfaces will be plywood material.
- Minimum depth of cabinet with drawer is 12", without drawer is 4".

DRAWER BOX DEPTHS (FRONT TO BACK):

- Access Drawer:
 - 12-13" deep cabinets = 9" deep drawer box
 - 14-16" deep cabinets = 12" deep drawer box
 - 17-19" deep cabinets = 15" deep drawer box
 - 20-22" deep cabinets = 18" deep drawer box
 - 23-24" deep cabinets = 21" deep drawer box
- Satino Drawer:
 - 12-13" deep cabinets = 10 1/2" deep drawer box
 - 14" deep cabinets = 11 7/8" deep drawer box
 - 15-16" deep cabinets = 13 3/4" deep drawer box
 - 17-18" deep cabinets = 15 3/4" deep drawer box
 - 19-20" deep cabinets = 17 3/4" deep drawer box
 - 21-22" deep cabinets = 19 5/8" deep drawer box
 - 23-24" deep cabinets = 21 5/8" deep drawer box

DRAWER BOX SIDE HEIGHTS:

- Access Drawer: 4" for standard top drawers, 8" for deep drawers.
- Satino Drawer: all drawers are 4", deep drawer will have an additional galley rail.



BASE CABINETS

Base Cabinet | B

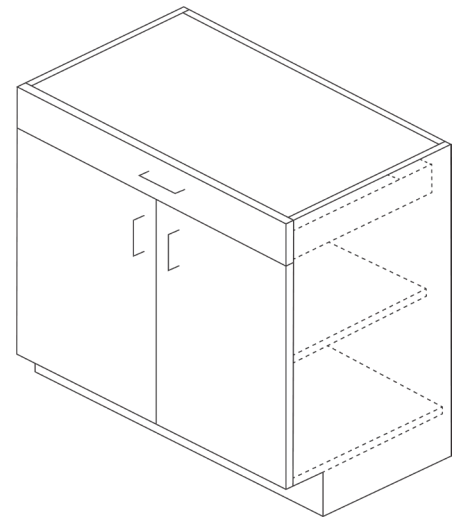
34 1/2" High x 24" Deep

- 9" - 21" wide base cabinets will have a single door, specify hinge left or right.
- 24" - 36" wide base cabinets will have double doors of equal width.
- 1 adjustable full depth shelf.

MINIMUM SIZE	
Minimum Depth	12"
Minimum Width	9"
Minimum Height	20-1/2"
MODIFICATIONS AVAILABLE	
No Modifications	
See Modifications for other available mods and details.	

34-1/2" HIGH 24" DEEP
B9
B12
B13.5
B15
B16.5
B18
B19.5
B21

34-1/2" HIGH 24" DEEP
B24
B27
B30
B33
B36



Base Double Top Drawer | BDTD

34" High x 24" Deep

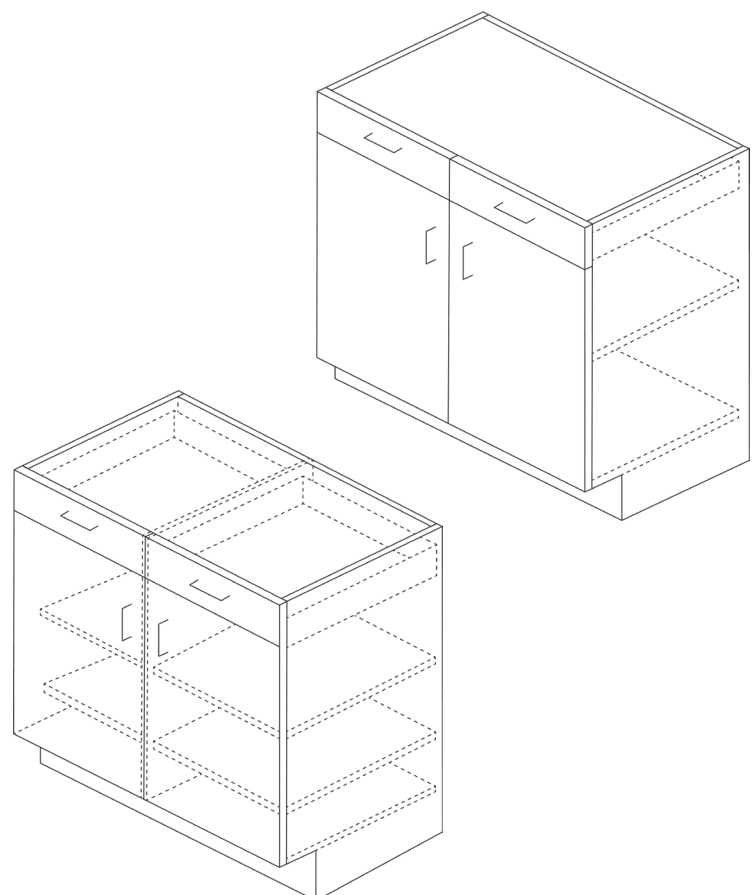
- 2 equal width drawers.
- 2 equal width doors.

MINIMUM SIZE	
Minimum Depth	12"
Minimum Width	24"
Minimum Height	20-1/2"
MODIFICATIONS AVAILABLE	
No Modifications	
See Modifications for other available mods and details.	

34-1/2" HIGH 24" DEEP
BDTD30
BDTD33
BDTD36

- 36 1/4" & 42" wide base cabinets will have a 1 1/4" thick vertical center partition with independently adjustable shelves on each side as shown:

34-1/2" HIGH 24" DEEP
BDTD39
BDTD42



BASE CABINETS

Base Wall Depth | BWD

34 1/2" High x 12" Deep

- 9" - 21" wide base cabinets will have a single door, specify hinge left or right.
- 24" - 42" wide base cabinets will have 2 doors of equal width.

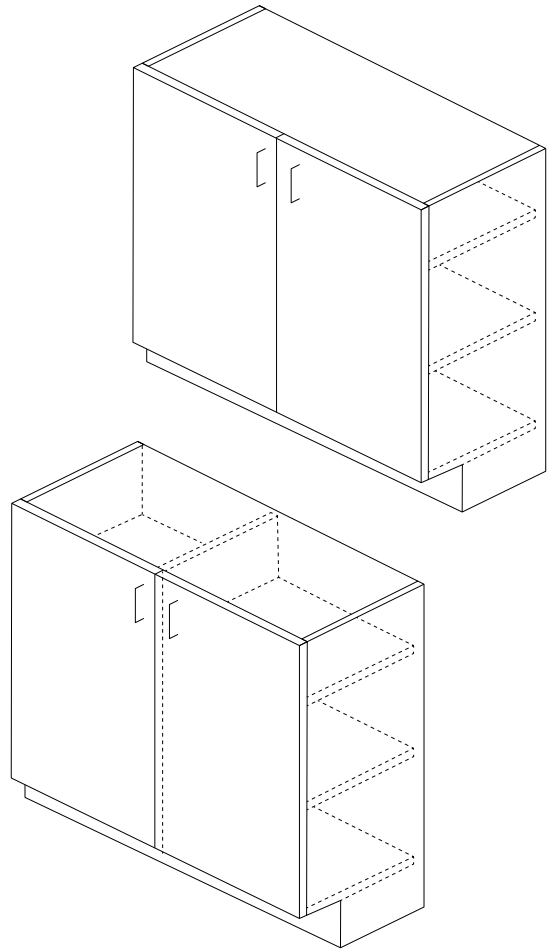
MINIMUM SIZE	
Minimum Depth	4"
Minimum Width	9"
Minimum Height	20-1/2"
MODIFICATIONS AVAILABLE	
Finished Interior	
Frame for Glass Door	
Metal Frame Door	
See Modifications for other available mods and details.	

34-1/2" HIGH 12" DEEP
BWD9
BWD12
BWD13.5
BWD15
BWD16.5
BWD18
BWD19.5
BWD21

34-1/2" HIGH 12" DEEP
BWD24
BWD27
BWD30
BWD33
BWD36

- 36 1/4" & 42" wide base cabinets will have full depth 1 1/4" thick center partition.

34-1/2" HIGH 12" DEEP
BWD39
BWD42



BASE CABINETS

Base Roll-Out Drawers | BROD

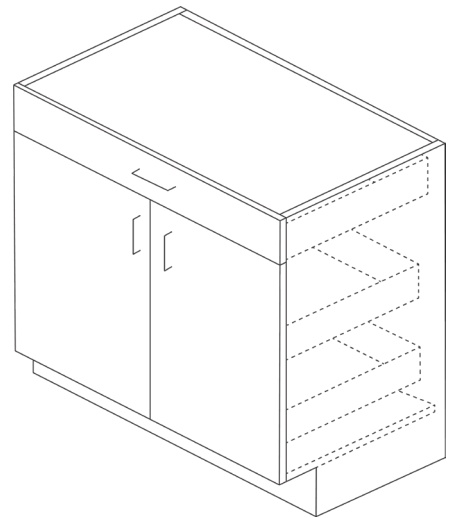
34 1/2" High x 24" Deep

- One full width drawer.
- Includes 2 full width roll-outs.
- Roll-outs are full extension and soft close.
- 12 - 21" wide base cabinets will have a single door, specify hinge left or right.
- 24 - 36" wide base cabinets will have double doors of equal width.

MINIMUM SIZE	
Minimum Depth	12"
Minimum Width	12"
Minimum Height	28-1/2"
MODIFICATIONS AVAILABLE	
No Modifications	
See Modifications for other available mods and details.	

34-1/2" HIGH 24" DEEP
BROD12
BROD13.5
BROD15
BROD16.5
BROD18
BROD19.5
BROD21

34-1/2" HIGH 24" DEEP
BROD24
BROD27
BROD30
BROD33
BROD36



Base Double Top Roll-Out Drawer | BDTRD

34 1/2" High x 24" Deep

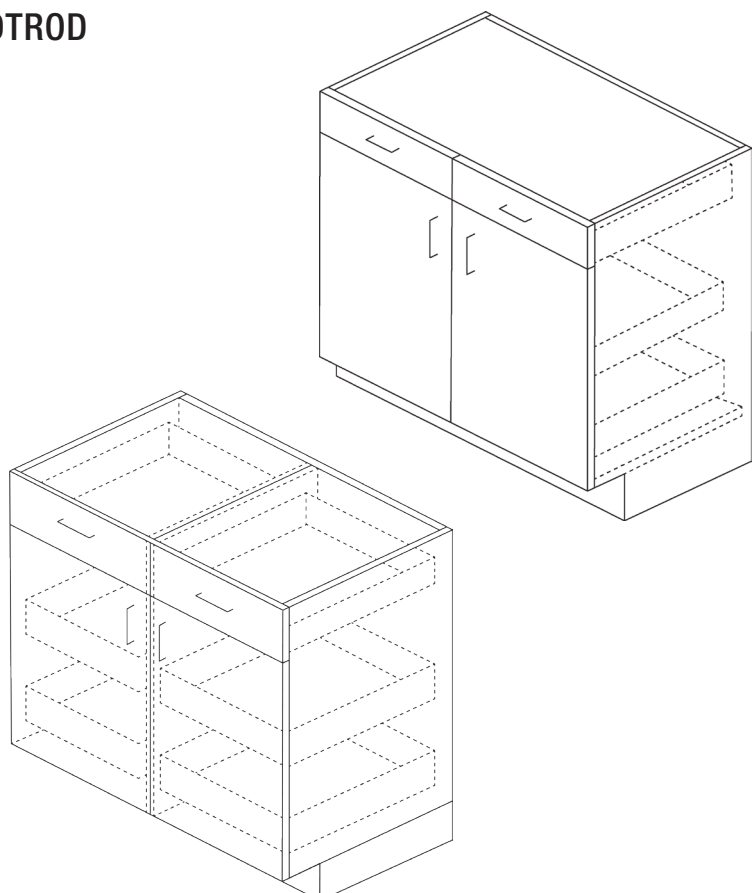
- 2 equal width drawers.
- 2 equal width doors.
- Includes 2 full extension soft close roll-outs.

MINIMUM SIZE	
Minimum Depth	12"
Minimum Width	24"
Minimum Height	28-1/2"
MODIFICATIONS AVAILABLE	
No Modifications	
See Modifications for other available mods and details.	

34-1/2" HIGH 24" DEEP
BDTRD30
BDTRD33
BDTRD36

- 36 1/4"- 42" wide base cabinets will have a 1 1/4" thick vertical center partition with roll-out drawers on each side as shown:

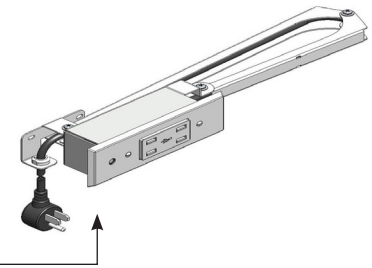
34-1/2" HIGH 24" DEEP
BDTRD39
BDTRD42



BASE CABINETS

Base Drawer Docking Insert | BDDI, 4BDDDI, 3BDDDI

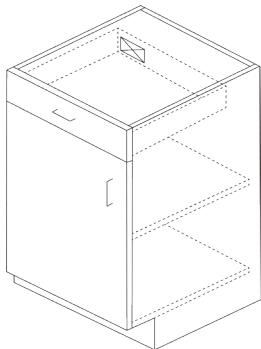
- These base cabinets include a factory installed powered docking station called 'Docking Drawer'.
- Docking Drawer is a UL approved purpose-built unit providing a safe and clutter free solution for charging personal technology devices.
- The Docking Drawer is factory installed into the top drawer of the cabinets shown below. All that is required on the job site is providing a 110v outlet behind the cabinet for the plug in.
- Unit is ETL listed to UL962a & CSA-C22.2 standards.
- Built in circuit breaker.
- Four USB ports.
- 6 foot long cord with NEMA 5-15 plug.
- Top drawer box including the Docking Drawer unit will be 18" deep instead of standard 21". This provides the clearance needed for the cord management pivot arm.
- Docking Drawer installed in left corner of drawer. Drawer can be removed from cabinet by first removing face cover plate.
- Cover plate is black.



- Only the black face plate will show inside the drawer. Other parts are concealed behind the drawer.
- Pivot arm keeps power chord from binding as drawer is opened and closed; tested to 500,000 cycles.

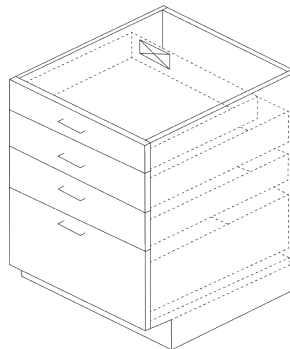
MINIMUM SIZE
No Modifications
MODIFICATIONS AVAILABLE
No Modifications

24" DEEP
BDDI18
BDDI21
BDDI24



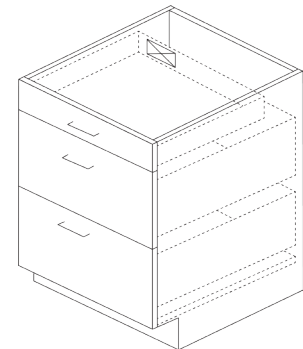
- Standard 24" deep Base.
- Top drawer will be 18" deep.
- Docking Drawer factory installed.
- Specify hinge L, R on 18", 21".

24" DEEP
4BDDDI18
4BDDDI21
4BDDDI24



- Top Drawer Front Height: 5 7/8".
- Second Drawer Front Height: 5 7/8".
- Third Drawer Front Height: 5 7/8".
- Bottom Drawer Front Height: 11 13/16". Standard 24" deep 4BD.
- Top drawer will be 18" deep.
- Docking Drawer factory installed.

24" DEEP
3BDDDI18
3BDDDI21
3BDDDI24



- Top Drawer Front Height: 5 7/8".
- Middle/Bottom Drawer Height: 11 13/16".
- Standard 24" deep 3BD.
- Top drawer will be 18" deep.
- Docking Drawer factory installed.

BASE CABINETS

Base Full High | BF

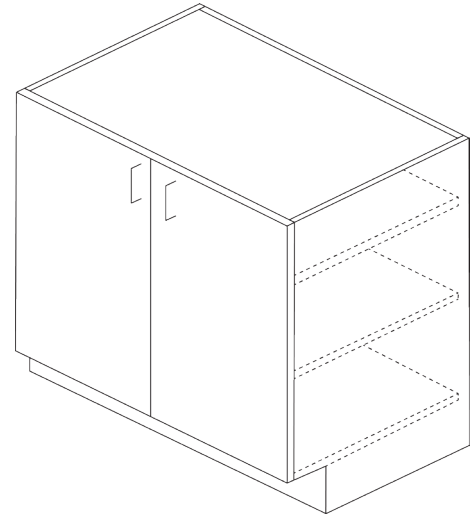
34 1/2" High x 24" Deep

- 9" - 21" wide base cabinets will have a single door, specify hinge left or right.
- 24" - 36" wide base cabinets will have double doors of equal width.

MINIMUM SIZE	
Minimum Depth	4"
Minimum Width	9"
Minimum Height	20-1/2"
MODIFICATIONS AVAILABLE	
Finished Interior	
Frame for Glass Door	
Metal Frame Door	
See Modifications for other available mods and details.	

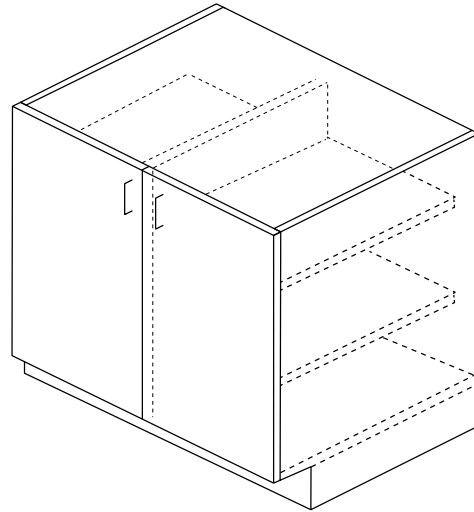
34-1/2" HIGH 24" DEEP
BF9
BF12
BF13.5
BF15
BF16.5
BF18
BF19.5
BF21

34-1/2" HIGH 24" DEEP
BF24
BF27
BF30
BF33
BF36



- 36 1/4" & 42" wide base cabinets will have a 1 1/4" thick vertical center partition with independently adjustable shelves on each side.

34-1/2" HIGH 24" DEEP
BF39
BF42



BASE CABINETS

Base Full High Two Roll-Out Drawers | BF2ROD

34 1/2" High x 24" Deep

- Includes 2 full width roll-outs; 4" tall sides
- Roll-outs are full extension and soft close.
- 12 - 21" wide base cabinets will have a single door, specify hinge left or right.
- 24 - 36" wide base cabinets will have double doors of equal width.

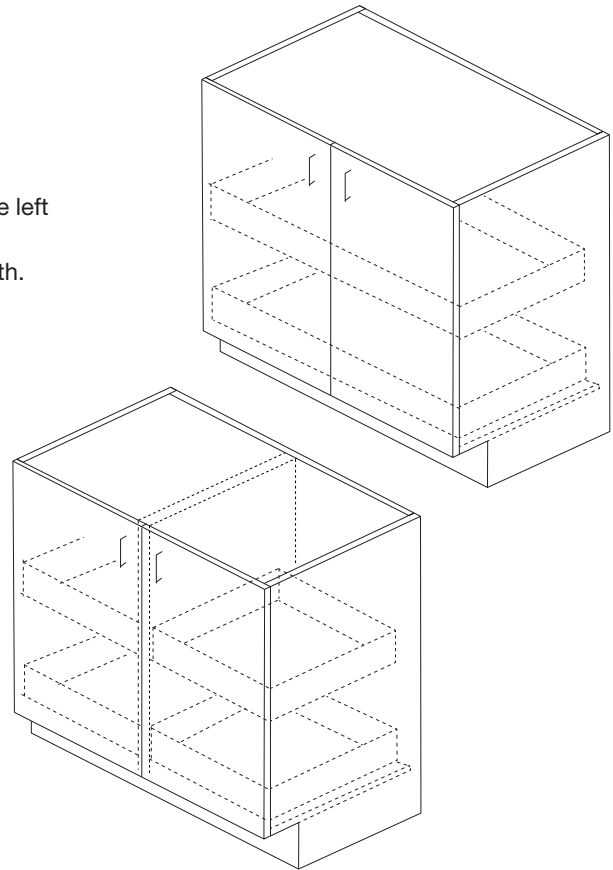
MINIMUM SIZE	
Minimum Depth	12"
Minimum Width	9"
Minimum Height	28-1/2"
MODIFICATIONS AVAILABLE	
No Modifications	
See Modifications for other available mods and details.	

34-1/2" HIGH 24" DEEP
BF2ROD12
BF2ROD13.5
BF2ROD15
BF2ROD16.5
BF2ROD18
BF2ROD19.5
BF2ROD21

34-1/2" HIGH 24" DEEP
BF2ROD24
BF2ROD27
BF2ROD30
BF2ROD33
BF2ROD36

- 36 1/4"- 42" wide base cabinets will have a 1 1/4" thick vertical center partition with roll-outs mounted on each side. BF3ROD has 4 roll-outs total.

34-1/2" HIGH 24" DEEP
BF2ROD39*
BF2ROD42*



Base Full High Three Roll-Out Drawers | BF3ROD

34 1/2" High x 24" Deep

- Includes 3 full width roll-outs; 4" tall sides
- Top roll-out is in same position as a standard top drawer.
- Roll-outs are full extension and soft close.
- 12 - 21" wide base cabinets will have a single door, specify hinge left or right.
- 24 - 36" wide base cabinets will have double doors of equal width.

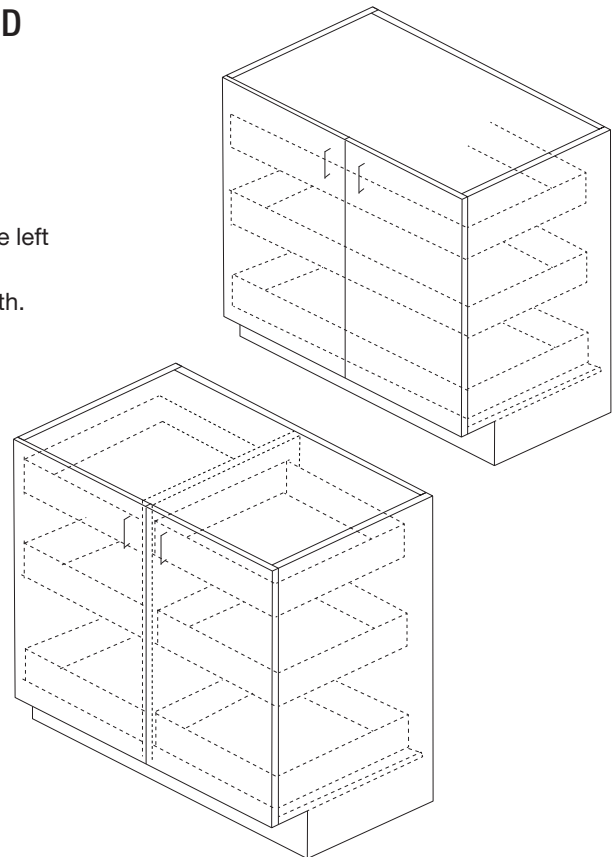
MINIMUM SIZE	
Minimum Depth	12"
Minimum Width	9"
Minimum Height	28-1/2"
MODIFICATIONS AVAILABLE	
No Modifications	
See Modifications for other available mods and details.	

34-1/2" HIGH 24" DEEP
BF3ROD12
BF3ROD13.5
BF3ROD15
BF3ROD16.5
BF3ROD18
BF3ROD19.5
BF3ROD21

34-1/2" HIGH 24" DEEP
BF3ROD24
BF3ROD27
BF3ROD30
BF3ROD33
BF3ROD36

- 36 1/4"- 42" wide base cabinets will have a 1 1/4" thick vertical center partition with roll-outs mounted on each side. BF3ROD has 6 roll-outs total.

34-1/2" HIGH 24" DEEP
BF3ROD39*
BF3ROD42*



BASE CABINETS

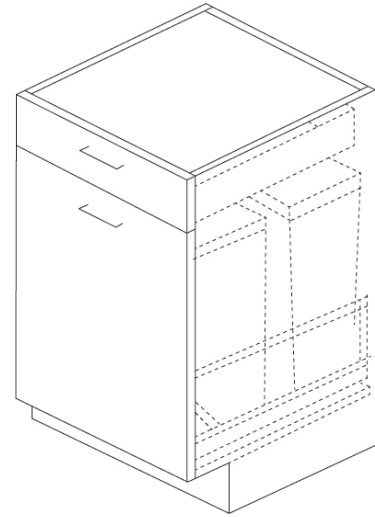
Base Recycle Attached Door | BRCAD

34 1/2" High x 24" Deep

- Two removable heavy duty plastic bins.
- Pull out on heavy duty bottom mount hardware that also features soft close. Hardware attached to door.
- Working top drawer.
- 15" cabinet width - 2 - 27 qt. bins ; dimensions 10.75 x 10.75 x 17.75.
- 18" cabinet width - qty. 2- 35 qt. bins; dimensions 14 x 10.25 x 17.75.

MINIMUM SIZE
No Modifications
MODIFICATIONS AVAILABLE
No Modifications

34-1/2" HIGH 24" DEEP
BRCAD15
BRCAD18



Note:

- See Loose Accessories section for available Compost Containers, and Recycle Container Lids (**18" wide cabinet only**).

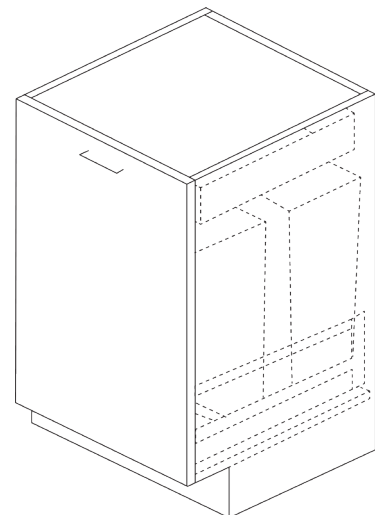
Base Full Recycle Attached Door | BFRCAD

34 1/2" High x 24" Deep

- Two removable heavy duty plastic bins.
- Pull out on heavy duty bottom mount hardware that also features soft close. Hardware attached to door.
- Full high door and a roll-out above the recycle unit.
- 15" cabinet width - 2-27QT. bins 11" x 11" x 17-3/4" tall.
- 18" cabinet width - 2-35QT.bins 14-3/8" x 10-1/2" x 17-7/8" tall.

MINIMUM SIZE
No Modifications
MODIFICATIONS AVAILABLE
No Modifications

34-1/2" HIGH 24" DEEP
BFRCAD15
BFRCAD18



Note:

- See Loose Accessories section for available Compost Containers, and Recycle Container Lids (**18" wide cabinet only**).

BASE CABINETS

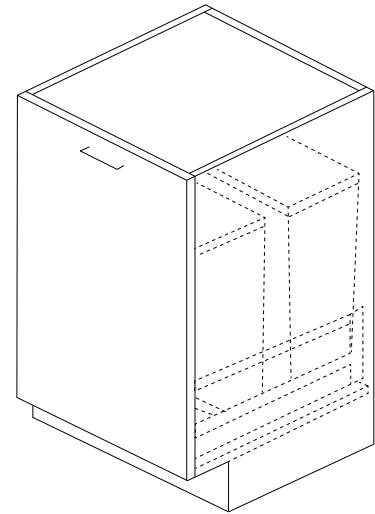
Base Full Recycle Attached Door | BFCAD18-50

34 1/2" High x 24" Deep (50 Qt.)

- Full High door recycle with 2 - 50QT. bins.
Bins measure 14-3/4" x 10-3/4" x 21-3/4" tall
- Door attached to heavy duty full extension soft close hardware.
- Due to bin height, no roll-out above.

MINIMUM SIZE
No Modifications
MODIFICATIONS AVAILABLE
No Modifications

34-1/2" HIGH 24" DEEP
BFCAD18-50Q



Note:

- See Loose Accessories section for available Compost Containers, and Recycle Container Lids (**18" wide cabinet only**).

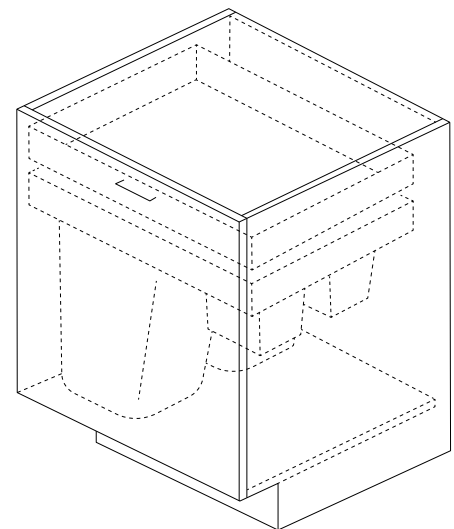
Base Full Recycle Attached Door | BFCAD24

34 1/2" High x 24" Deep

- 24" wide recycle cabinet features waste and compost bins.
- Two 35-qt. silver colored bins and two 8-qt. compost silver-colored bins with lids.
- Roll-out drawer above recycle bins.
- Hardware is attached to full width and full height door ; 90# rated guides provide.
- 1-1/2" over travel full extension for easy access to bins.
- Built in metal lid to reduce escaping odors.

MINIMUM SIZE
No Modifications
MODIFICATIONS AVAILABLE
No Modifications

34-1/2" HIGH 24" DEEP
BFCAD24



BASE CABINETS

Base Pullout Spice | BPOS

34 1/2" High x 24" Deep

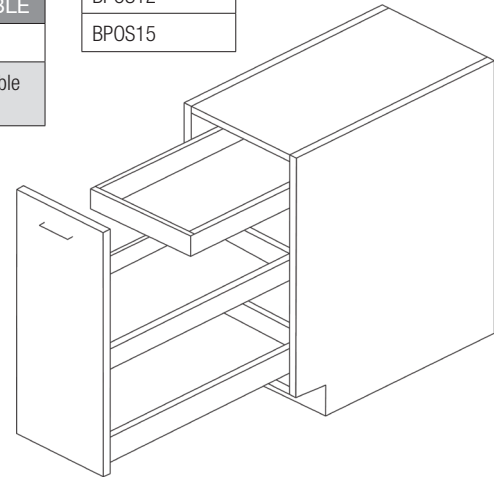
- Bottom and middle 4" high roll-outs are attached to door; top one operates independently (On 6" widths, all 3 will be attached to door).
- Open access on both sides.
- Full extension guides with soft close feature.

Note:

- 6" widths - See specific door style page for face details.
- Storage height clearance of top drawer is 5 1/4"; the other two will accommodate most tall spice and cooking oils.
- BPOS6 - This cabinet will always be constructed with a wood drawer box system.
- If Satino drawer option is selected, the pull outs will be Satino construction and the up charge applies.

MINIMUM SIZE	
Minimum Depth	21"
Minimum Width	6"
Minimum Height	34-1/2"
MODIFICATIONS AVAILABLE	
No Modifications	
See Modifications for other available mods and details.	

34-1/2" HIGH 24" DEEP
BPOS6
BPOS9
BPOS12
BPOS15



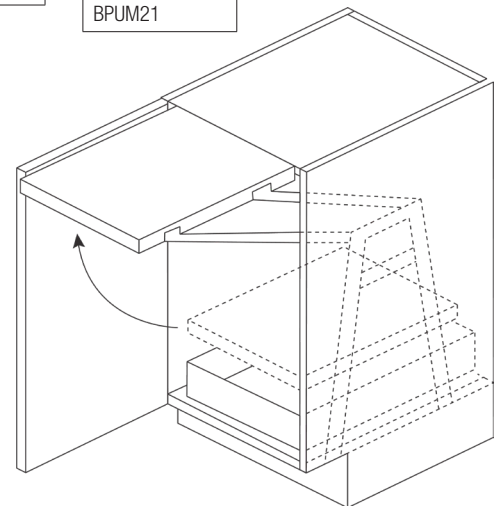
Base Pop Up Mixer | BPUM

34 1/2" High x 24" Deep

- Factory installed heavy duty lift-up mechanism that locks in place and includes soft close function.
- Shelf is a 3/4" thick solid wood bread board with a finger cove detail on the front bottom edge. It will measure 4-3/4" less in width than cabinet width. EX-18" cabinet has 13-1/4" wide bread board. Board depth is always 20-1/2".
- When fully opened, shelf top surface is approx. 34-1/2" off floor.
- Includes 1 full width roll-out on bottom.
- Roll-out is full extension and soft close.

MINIMUM SIZE	
No Modifications	
MODIFICATIONS AVAILABLE	
No Modifications	

34-1/2" HIGH 24" DEEP
BPUM15
BPUM18
BPUM21



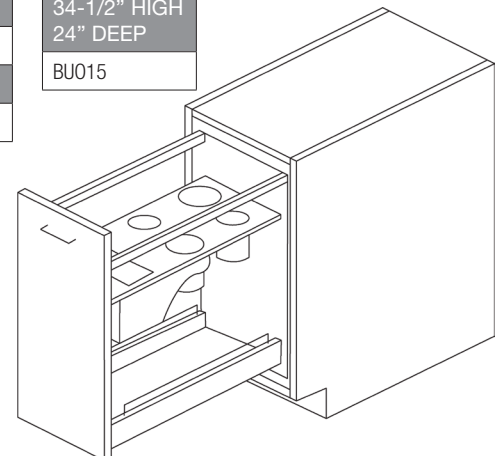
Base Utensil Organizer | BUO

34 1/2" High x 24" Deep

- Base Full High 15".
- Door attached to knife block utensil organizer pull out.
- Maple construction with chrome accent rails.
- Unit is mounted to bottom mount full extension soft-close guides.
- Includes 4 stainless steel bins and two knife holders. Knife holders are densely compacted flex rods allowing for drop-in knife storage.
- Top section is adjustable in height.

MINIMUM SIZE	
No Modifications	
MODIFICATIONS AVAILABLE	
No Modifications	

34-1/2" HIGH 24" DEEP
BUO15



BASE CABINETS

Base Sink | BS

34 1/2" High x 24" Deep

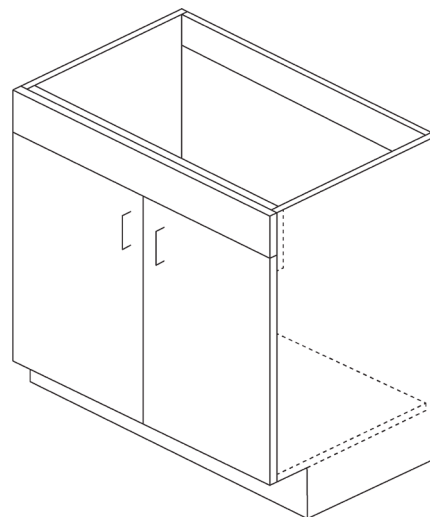
- 18" - 21" wide base cabinets will have a single door, specify hinge left or right.
- 24" - 42" wide base cabinets will have double doors of equal width.

Note:

- Factory Installed Sink Liner available for this cabinet. See Accessories.
- For 27" deep sink base, use the Range Base 27(RB).

MINIMUM SIZE	
Minimum Depth	15"
Minimum Width	18"
Minimum Height	20-1/2"
MODIFICATIONS AVAILABLE	
No Modifications	
See Modifications for other available mods and details.	

34-1/2" HIGH 24" DEEP
BS18
BS21
BS24
BS27
BS30
BS33
BS36
BS39
BS42



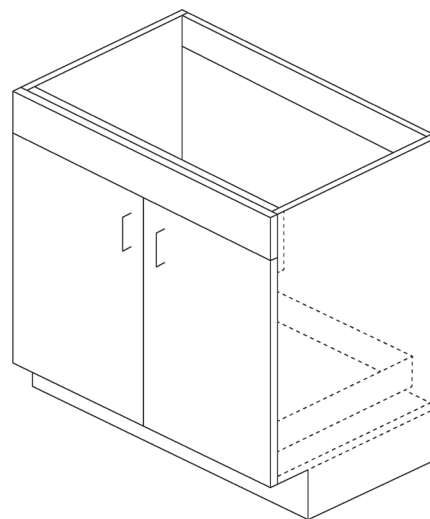
Base Sink Roll-Out Drawer | BSR0D

34 1/2" High x 24" Deep

- Includes 1 full width roll-out.
- Full extension soft close roll-out included.
- 18" - 21" wide base cabinets will have a single door, specify hinge left or right.
- 24" - 36" wide base cabinets will have double doors of equal width.

MINIMUM SIZE	
Minimum Depth	15"
Minimum Width	18"
Minimum Height	20-1/2"
MODIFICATIONS AVAILABLE	
No Modifications	
See Modifications for other available mods and details.	

34-1/2" HIGH 24" DEEP
BSR0D18
BSR0D21
BSR0D24
BSR0D27
BSR0D30
BSR0D33
BSR0D36



BASE CABINETS

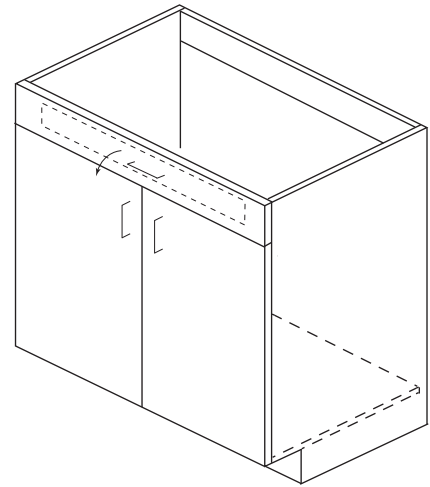
Base Sink Tilt Out | BST0

34 1/2" High x 24" Deep

- Includes factory installed metal tray.
- 18" - 21" wide base cabinets will have a single door, specify hinge left or right.
- 24" - 42" wide base cabinets will have double doors of equal width.

Note:

- Factory Installed Sink Liner available for this cabinet. See Accessories.
- For 27" deep sink base, use the Range Base 27(RB).



MINIMUM SIZE	
Minimum Depth	15"
Minimum Width	18"
Minimum Height	20-1/2"
MODIFICATIONS AVAILABLE	
No Modifications	
See Modifications for other available mods and details.	

34-1/2" HIGH 24" DEEP
BST018
BST021
BST024
BST027
BST030
BST033
BST036
BST042

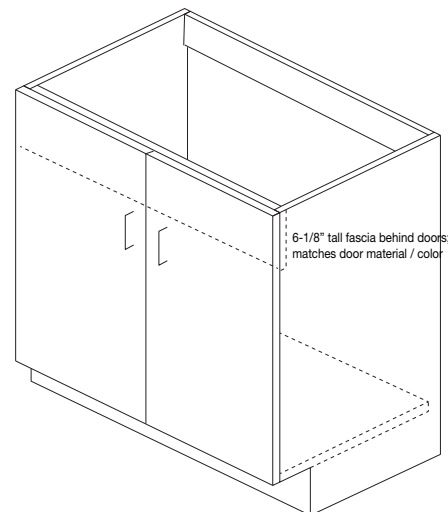
Base Full High Sink Door | BFS

34 1/2" High x 24" Deep

- 18" - 21" wide base cabinets will have a single door, specify hinge left or right.
- 24" - 42" wide base cabinets will have double doors of equal width.

Note:

- Factory Installed Sink Liner available for this cabinet. See Accessories.



MINIMUM SIZE	
Minimum Depth	15"
Minimum Width	18"
Minimum Height	20-1/2"
MODIFICATIONS AVAILABLE	
No Modifications	
See Modifications for other available mods and details.	

34-1/2" HIGH 24" DEEP
BFS18
BFS21
BFS24
BFS27
BFS30
BFS33
BFS36
BFS39
BFS42

BASE CABINETS

Base Sink Apron Front | BSAF

34 1/2" High x 24" Deep

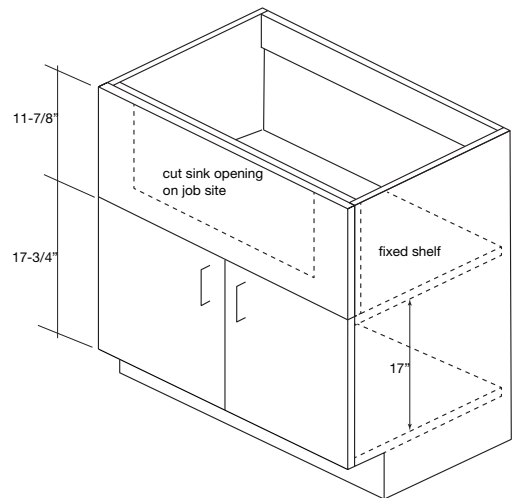
- Designed to accommodate the 'Farm Style' sinks with apron fronts.
- 12" tall false front to be trimmed on site to fit exact sink dimensions.
- Cabinet has full back panel.

Note:

- Factory Installed Sink Liner available for this cabinet. See Accessories.

MINIMUM SIZE	
Minimum Depth	15"
Minimum Width	24"
Minimum Height	26-1/2"
MODIFICATIONS AVAILABLE	
No Modifications	
See Modifications for other available mods and details.	

34-1/2" HIGH 24" DEEP
BSAF30
BSAF33
BSAF36
BSAF42



Base Sink Two Base Drawer | BS2BD

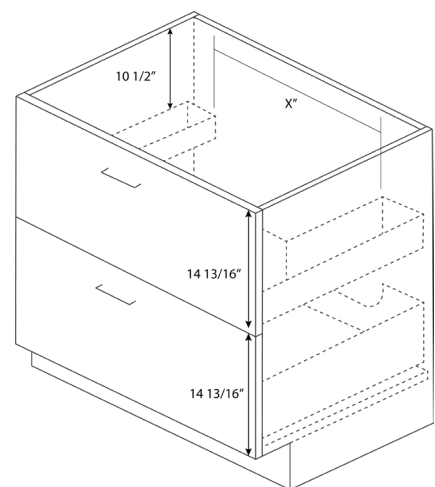
34 1/2" High x 24" Deep

- Sink base designed to provide clean continuous styling of deep drawer cabinets.
- Drawer faces align with standard 2BD cabinets.
- Top drawer face connects to a 'U' shaped drawer to not interfere with sink or plumbing and provide easy access to small cleanser and bottle storage. 4" drawer side heights are used.
- The usable storage space is 4" in width, all three sections of the top drawer. 6" clearance to the bottom of the fascia piece behind the top drawer face.
- 10" height clearance from top edge of top drawer to top of cabinet. 6" usable height clearance in top drawer.
- Bottom drawer is a full drawer with 8" tall sides that angle down to 4" height in the back to clear plumbing. Usable storage height is approx. 10 1/2".
- It is responsibility of designer to verify clearances needed to assure a proper fit.

MINIMUM SIZE	
Minimum Depth	15"
Minimum Width	30"
Minimum Height	20-1/2"
MODIFICATIONS AVAILABLE	
No Modifications	
See Modifications for other available mods and details.	

34-1/2" HIGH 24" DEEP
BS2BD36
BS2BD42
BS2BD48

- 36" width base = 23.5" inside clearance between top drawer sides.
- 42" width base = 29.5" inside clearance between top drawer sides.
- 48" width base = 35.5" inside clearance between top drawer sides.

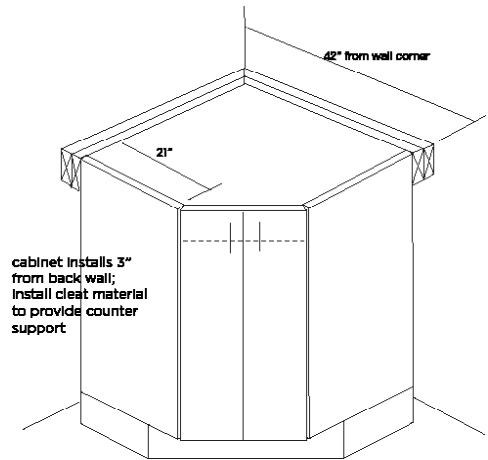


BASE CABINETS

Base Full Angle Sink Corner | BFASC42

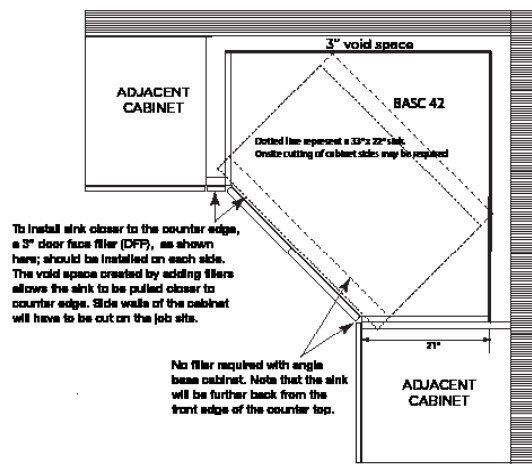
34 1/2" High x 24" Deep

- 45 degree angle face.
- Two full high doors.
- Doors have 45 degree angle hinges.
- Built with loose toe kick.
- Designed to be pulled away from corner walls 3", box is 21" deep.
- Door opening width – 24 3/8".
- Recommended 1 1/2" minimum filler between adjacent cabinets to allow sink to be closer to counter edge. Job site cutting of cabinet top is required.
- Factory Installed Sink Liner available for this cabinet.
See Accessories, page 244.



MINIMUM SIZE	
Minimum Depth	No Mods
Minimum Width	No Mods
Minimum Height	20-1/2"
MODIFICATIONS AVAILABLE	
No Modifications	
See Modifications for other available mods and details.	

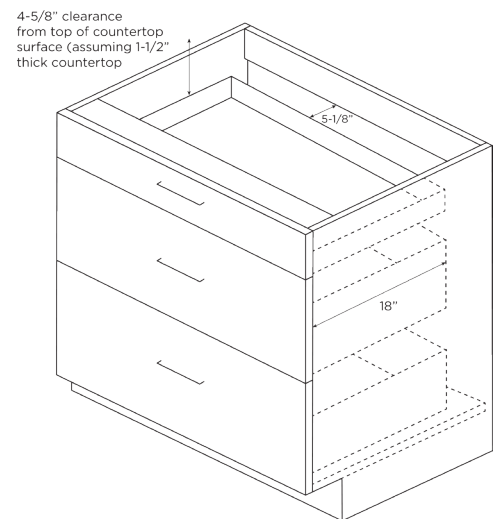
34-1/2" HIGH 24" DEEP
BFASC42



Three Base Drawer Cooktop | 3BDC

34 1/2" High x 24" Deep

- All drawer boxes will be 18" deep to allow clearance for electrical or gas connections.
- Top drawer will be 2" tall and will have shallow sides to allow clearance for cook top (4 5/8" total clearance from top surface of 1 1/2" counter top to top of drawer edge).
- Top drawer front = 5 7/8" face height. Drawer box will be 2" side height to allow cooktop clearance - 4-5/8" from top surface of 1 1/2" thick counter to top of drawer box.
- Second and third = 11 13/16" face height, same as standard 3BD cabinet.
- With Satino drawer option, the top drawer will remain a 2" tall wood drawer.



MINIMUM SIZE	
Minimum Depth	12"
Minimum Width	18"
Minimum Height	20-1/2"
MODIFICATIONS AVAILABLE	
No Modifications	
See Modifications for other available mods and details.	

34-1/2" HIGH 24" DEEP
3BDC30
3BDC36

BASE CABINETS

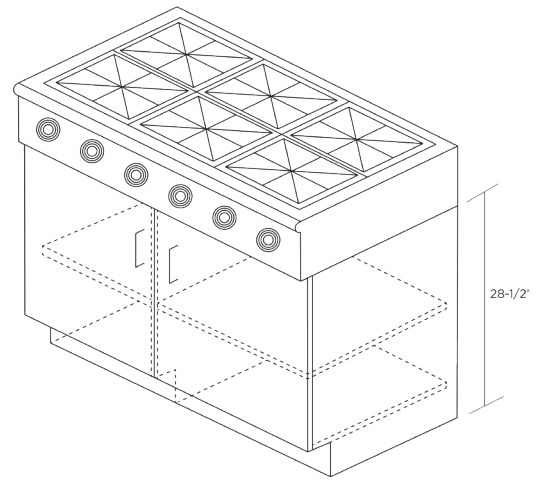
Base Professional Cooktop | BPC

28 1/2" High x 24" Deep

- 1 adjustable shelf.
- Full top construction.
- Verify appliance height. Best to have top of cooktop 1/4 - 1/2" above countertop surface. Add filler material between top of cabinet box and bottom of appliance to raise cooktop height.
- Widths 36 1/4" - 48" wide will have full depth 1 1/4" thick center partition, with adjustable shelf each side (as shown).

MINIMUM SIZE	
Minimum Depth	24"
Minimum Width	18"
Minimum Height	20-1/2"
MODIFICATIONS AVAILABLE	
No Modifications	
See Modifications for other available mods and details.	

28 1/2" HIGH 24" DEEP
BPC30
BPC36
BPC48



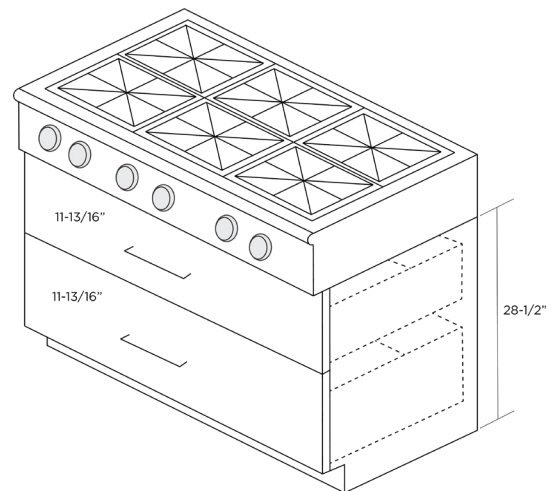
Base Professional Cooktop Two Drawer | BPC2D

28 1/2" High x 24" Deep

- Cabinet designed for use with Pro Style cooktops.
- Not all range tops are same height. Top surface of Cooktop should be 1/4" - 1/2" above countertop. Additional material may be needed to raise range top to appropriate height. Consider filler stock or applied panel material.
- Refer to door style page to confirm drawer face styling.
- 11 13/16" Top Drawer Face height.
- 11 13/16" Bottom Drawer Face height.
- See Base Cabinet Construction details.

MINIMUM SIZE	
Minimum Depth	24"
Minimum Width	24"
Minimum Height	21"
MODIFICATIONS AVAILABLE	
No Modifications	
See Modifications for other available mods and details.	

28 1/2" HIGH 24" DEEP
BPC2D30
BPC2D36

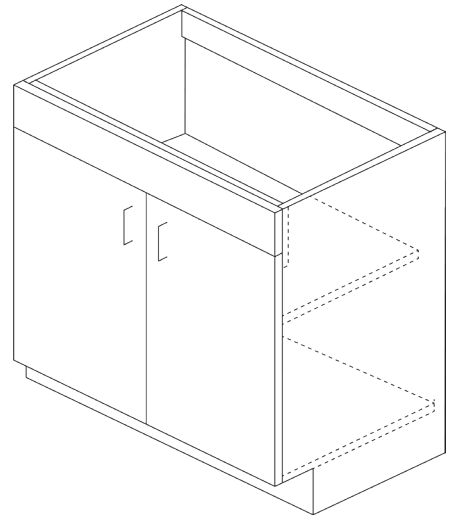


BASE CABINETS

Range Base I RB

34 1/2" High x 24", 27" Deep

- 18" = 21" wide base cabinet will have a single door, specify hinge left or right.
- 24"-42" wide base cabinets will have double doors of equal width.
- 1 false drawer front.
- 1 adjustable shelf.
- For 27" deep sink base, use the Range Base 27.



MINIMUM SIZE	
Minimum Depth	15"
Minimum Width	18"
Minimum Height	20-1/2"
MODIFICATIONS AVAILABLE	
No Modifications	
See Modifications for other available mods and details.	

34-1/2" HIGH 24" DEEP
RB24
RB30
RB36
RB39

34-1/2" HIGH 27" DEEP
RB2427
RB3027
RB3627
RB3927

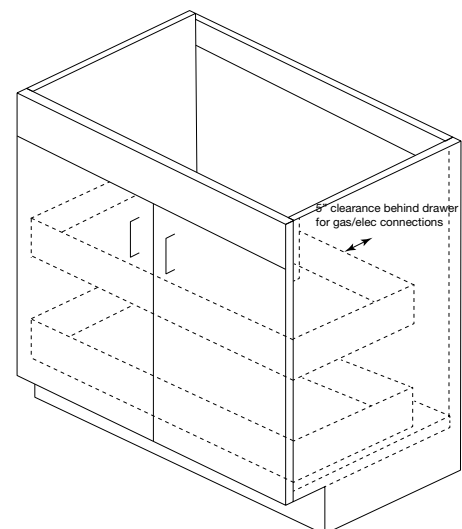
Range Base Roll-Out Drawers I RBROD

34 1/2" High x 24" Deep

- 1 false drawer front fascia behind finished in same material as door.
- Includes 2 full width roll-outs.
- Roll-outs are full extension and soft close.

Note:

- Drawer boxes will be 18" deep to allow for electrical or gas connections.



MINIMUM SIZE	
Minimum Depth	12"
Minimum Width	18"
Minimum Height	28-1/2"
MODIFICATIONS AVAILABLE	
No Modifications	
See Modifications for other available mods and details.	

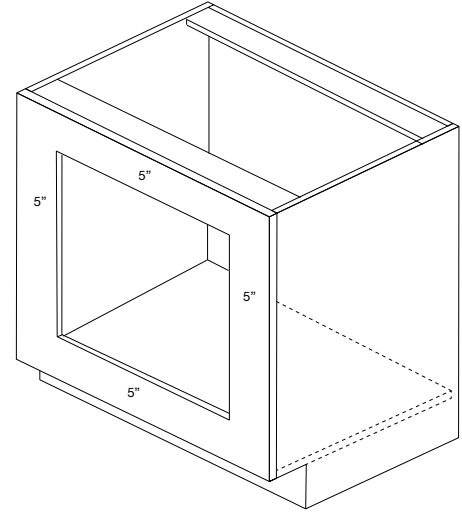
34-1/2" HIGH 24" DEEP
RBROD24
RBROD30
RBROD36

BASE CABINETS

Base Oven Cabinet | BOC

34 1/2" High x 24" Deep

- Universal oven panel with opening as shown.
- Outside edges of panel will match door edge profile.
- Loose shelf and cleats included for field install of appliance.
- Modify opening in panel on job site to fit appliance.
- Maximum cutout:
 - 30" – 28" x 28 1/4"
 - 33" – 31" x 28 1/4"
 - 36" – 34" x 28 1/4"
- Also refer to Oven Cabinet Notes, page 64.



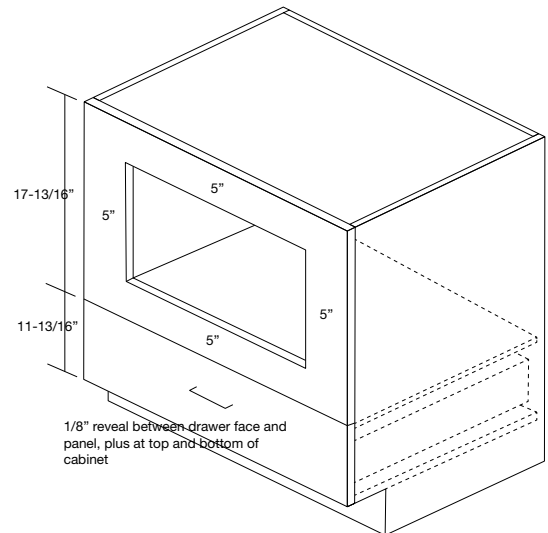
MINIMUM SIZE	
Minimum Depth	12"
Minimum Width	24"
Minimum Height	20-1/2"
MODIFICATIONS AVAILABLE	
No Modifications	
See Modifications for other available mods and details.	

34-1/2" HIGH 24" DEEP
BOC30
BOC33
BOC36

Base Microwave Drawer | BMD

34 1/2" High x 24" Deep

- 1 full width drawer.
- Designed for built in type microwaves.
- Fixed shelf above drawer.
- Outside edges of panel will match door edge profile.
- Universal oven panel includes opening as shown. Oven Panel built with 5" wide stiles and rails. Modify opening on job site to fit appliance.
- Loose shelf and support cleats included for field install of appliance.
- Also refer to Oven Cabinet Notes, page 64.



MINIMUM SIZE	
Minimum Depth	12"
Minimum Width	18"
Minimum Height	No Mods
MODIFICATIONS AVAILABLE	
No Modifications	
See Modifications for other available mods and details.	

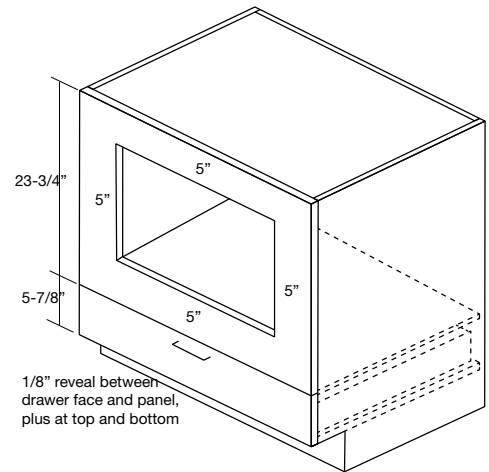
34-1/2" HIGH 24" DEEP
BMD24
BMD27
BMD30

BASE CABINETS

Base Microwave 6" Drawer | BM6D

34 1/2" High x 24" Deep

- 1 full width drawer, 5 7/8" height.
- Designed for built in type microwaves.
- Fixed shelf above drawer.
- Outside edges of panel will match door edge profile.
- Universal oven panel includes opening as shown. 5" wide stiles and rails. Modify opening on job site to fit appliance.
- Loose shelf and support cleats included for field install of appliance.
- Also refer to Oven Cabinet Notes, page 64.



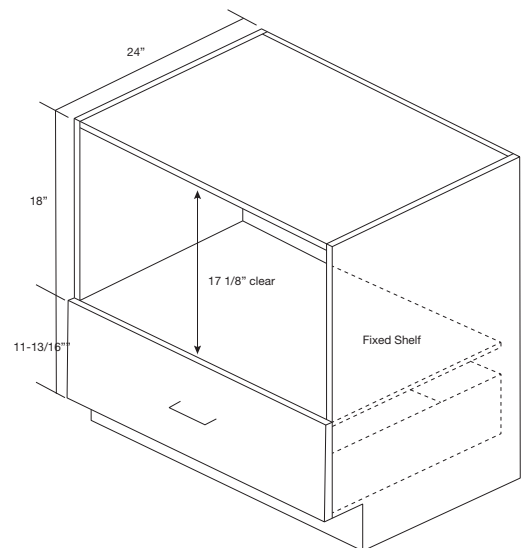
MINIMUM SIZE	
Minimum Depth	12"
Minimum Width	18"
Minimum Height	No Mods
MODIFICATIONS AVAILABLE	
No Modifications	
See Modifications for other available mods and details.	

34-1/2" HIGH 24" DEEP
BM6D24
BM6D27
BM6D30

Base Microwave Drawer Open | BMD0

34 1/2" High x 24" Deep

- 1 full width deep drawer; aligns with bottom drawer of a 3BD or 4BD cabinet.
- Designed for countertop microwaves. Inside opening width is 1 1/2" less than overall width.
- Interior and exterior surfaces and box edgebanding are finished to match door material and color; box is 3/4" thick panel construction.



MINIMUM SIZE	
Minimum Depth	12"
Minimum Width	18"
Minimum Height	No Mods
MODIFICATIONS AVAILABLE	
No Modifications	
See Modifications for other available mods and details.	

34-1/2" HIGH 24" DEEP
BMD024
BMD027
BMD030

BASE CABINETS

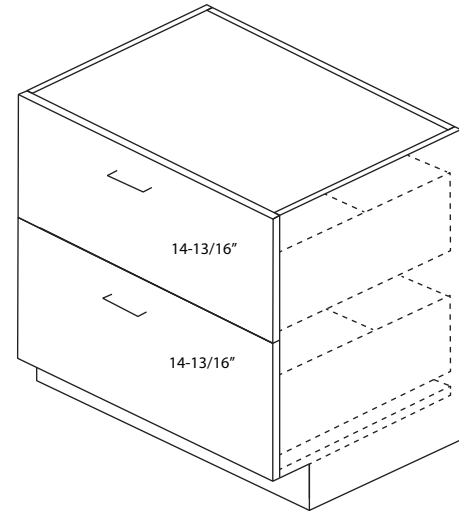
Two Base Drawer | 2BD

34 1/2" High x 24" Deep

- Two drawer base cabinet with equal drawers.
- 14 13/16" Drawer front heights. 8" drawer side heights.
- Also refer to Drawer Cabinet Details, page 65.

Note:

- Drawers do not align with 3BD or 4BD.



MINIMUM SIZE	
Minimum Depth	10"
Minimum Width	12"
Minimum Height	20-1/2"
MODIFICATIONS AVAILABLE	
No Modifications	
See Modifications for other available mods and details.	

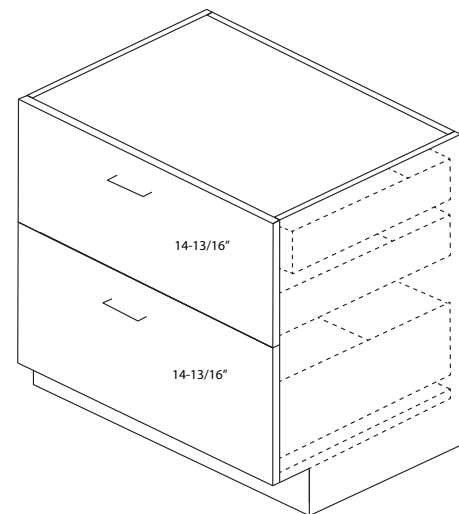
34-1/2" HIGH 24" DEEP
2BD12
2BD13.5
2BD15
2BD16.5
2BD18
2BD19.5
2BD21
2BD24
2BD27
2BD30
2BD33
2BD36

BASE CABINETS

Two Base Drawer Roll-Out Drawer | 2BDR0D

34 1/2" High x 24" Deep

- Includes a single roll-out behind the top drawer face.
- Open top drawer to access roll-out. Roll-out with 4" side height.
- Provides the same design aesthetic as the 2BD, but with additional roll-out storage for smaller items.
- Roll-out behind top drawer.
- Drawer heights align with 2 BD and 3BDH.
- 14 13/16" drawer front heights.



MINIMUM SIZE	
Minimum Depth	12"
Minimum Width	12"
Minimum Height	20-1/2"
MODIFICATIONS AVAILABLE	
No Modifications	
See Modifications for other available mods and details.	

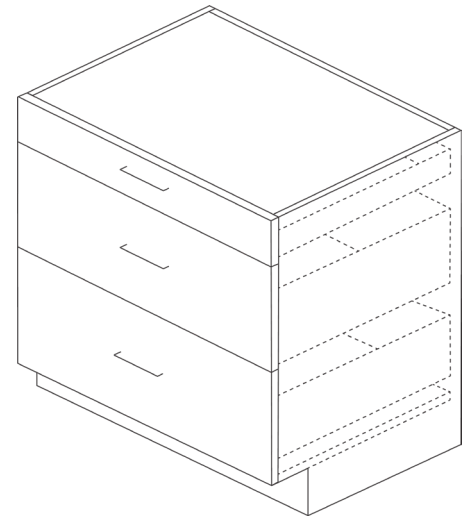
34-1/2" HIGH 24" DEEP
2BD-ROD15
2BD-ROD16.5
2BD-ROD18
2BD-ROD19.5
2BD-ROD21
2BD-ROD24
2BD-ROD27
2BD-ROD30
2BD-ROD33
2BD-ROD36

BASE CABINETS

Three Base Drawer | 3BD

34 1/2" High x 24" Deep

- Three drawer base cabinet. The top drawer aligns with the top drawer of the 4BD cabinet.
- Top Drawer Front Height: 5 7/8".
- Middle Drawer Front Height: 11 13/16".
- Bottom Drawer Front Height: 11 13/16".
- Also refer to Drawer Cabinet Details, page 65.



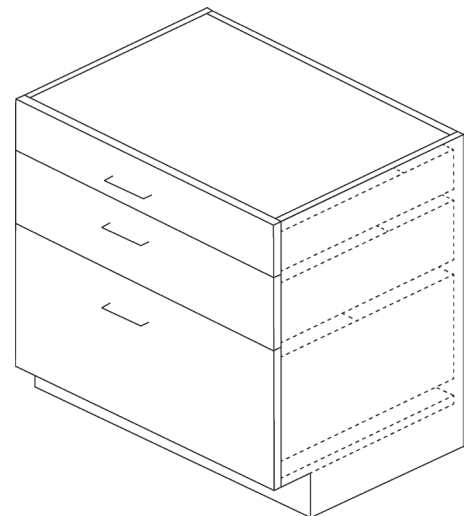
MINIMUM SIZE	
Minimum Depth	12"
Minimum Width	9"
Minimum Height	28-1/2"
MODIFICATIONS AVAILABLE	
No Modifications	
See Modifications for other available mods and details.	

34-1/2" HIGH 24" DEEP
3BD12
3BD13.5
3BD15
3BD16.5
3BD18
3BD19.5
3BD21
3BD24
3BD27
3BD30
3BD33
3BD36

Three Base Drawer Hybrid | 3BDH

34 1/2" High x 24" Deep

- Three drawer configuration that will align with Two Base Drawer (2BD). The top drawer and 2nd drawer = top drawer of the 2BD cabinet.
- Top Drawer Front Height: 5 7/8".
- Middle Drawer Front Height: 8 13/16".
- Bottom Drawer Front Height: 14 13/16".
- Also refer to Drawer Cabinet Details, page 65.



MINIMUM SIZE	
Minimum Depth	12"
Minimum Width	9"
Minimum Height	20-1/2"
MODIFICATIONS AVAILABLE	
No Modifications	
See Modifications for other available mods and details.	

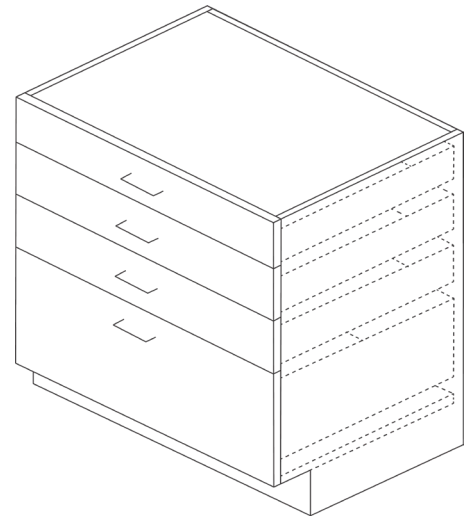
34-1/2" HIGH 24" DEEP	34-1/2" HIGH 24" DEEP
BBC39	3BDH19.5
BBC42	3BDH21
BBC45	3BDH24
BBC483BDH12	3BDH27
3BDH13.5	3BDH30
3BDH15	3BDH33
3BDH16.5	3BDH36
3BDH18	

BASE CABINETS

Four Base Drawer | 4BD

34 1/2" High x 24" Deep

- Four drawer base cabinet. The top drawer aligns with the top drawer of the 3BD cabinet.
- Top Drawer Front Height: 5 7/8".
- Second Drawer Front Height: 5 7/8".
- Third Drawer Front Height: 5 7/8".
- Bottom Drawer Front Height: 11 13/16".
- Also refer to Drawer Cabinet Details, page 65.



MINIMUM SIZE	
Minimum Depth	12"
Minimum Width	9"
Minimum Height	28-1/2"
MODIFICATIONS AVAILABLE	
No Modifications	
See Modifications for other available mods and details.	

34-1/2" HIGH 24" DEEP
4BD12
4BD13.5
4BD15
4BD16.5
4BD18
4BD19.5
4BD21
4BD24
4BD27
4BD30
4BD33
4BD36

BASE CABINETS

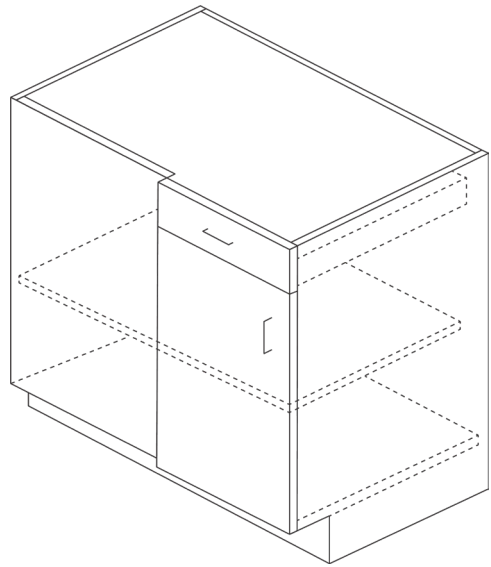
Base Blind Corner | BBC

34 1/2" High x 24" Deep

- BBC - 1 door and 1 drawer, 1 adjustable shelf.
- Case is 3" less than model size stated.
- Specify hinge left or right; hinge left shown.

Note:

- Blind panel is finished to match door material.

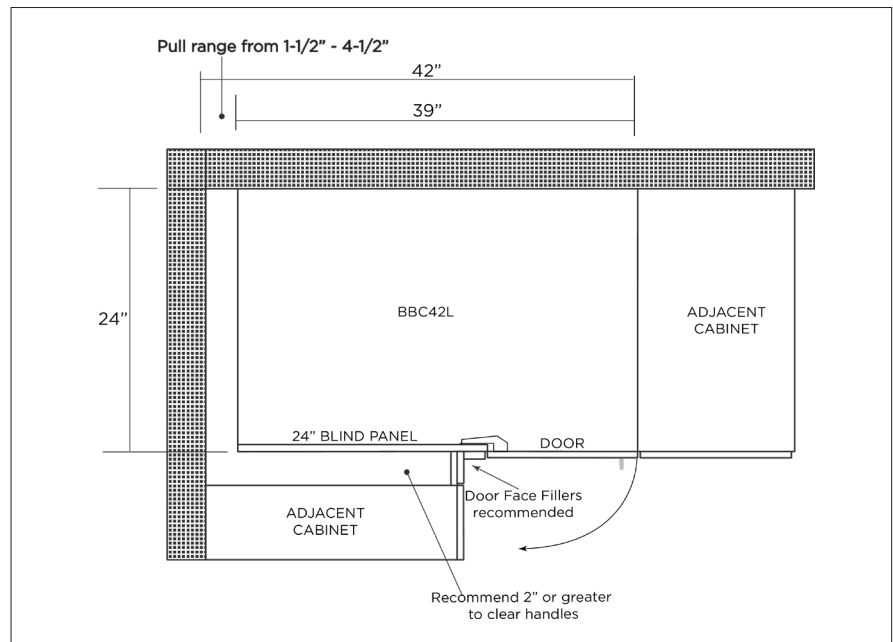


MINIMUM SIZE	
Minimum Depth	12"
Minimum Width	No Mods
Minimum Height	20-1/2"
MODIFICATIONS AVAILABLE	
No Modifications	
See Modifications for other available mods and details.	

34-1/2" HIGH 24" DEEP
BBC39
BBC42
BBC45
BBC48
BBC51

BASE CABINETS

Corner Details



CLEARANCE CHART			
CABINET	DIMENSION RANGE	DOOR WIDTH	ACTUAL CABINET WIDTH
39"	37-1/2" - 40-1/2"	12"	36"
42"	40-1/2" - 43-1/2"	15"	39"
45"	43-1/2" - 46-1/2"	18"	42"
48"	46-1/2" - 49-1/2"	21"	45"
51"	49-1/2" - 52-1/2"	24" Single Door	48"

BASE CABINETS

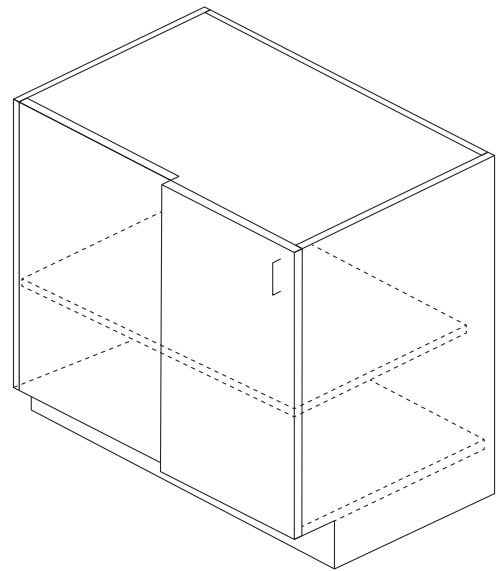
Base Blind Corner Full | BBCF

34 1/2" High x 24" Deep

- BBCF - 1 full high door, no drawers, 2 adjustable shelves.
- Case is 3" less than model size stated.
- Specify hinge left or right; hinge left shown.

Note:

- Blind panel is finished to match door material.

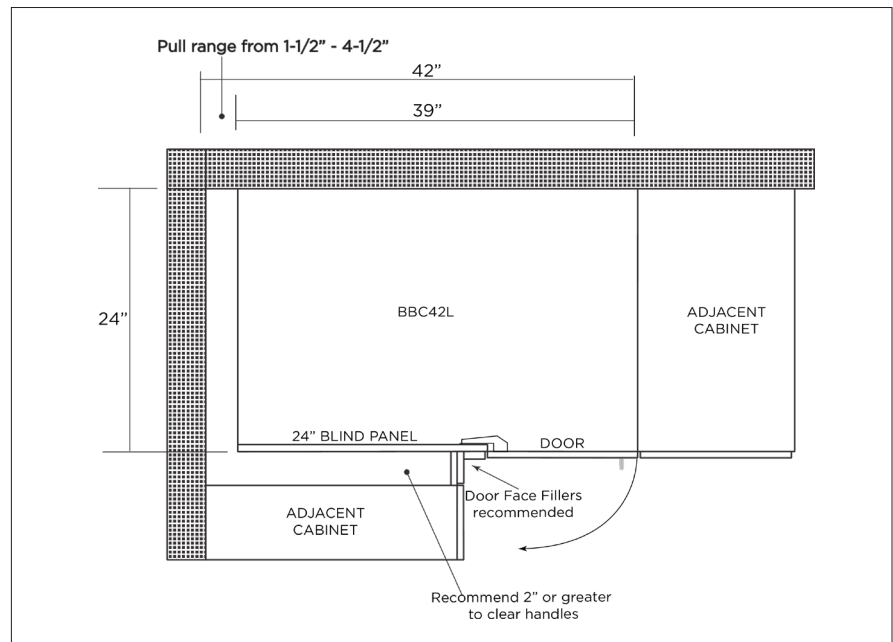


MINIMUM SIZE	
Minimum Depth	12"
Minimum Width	No Mods
Minimum Height	20-1/2"
MODIFICATIONS AVAILABLE	
Finished Interior	
Frame for Glass Door	
Metal Frame Door	
See Modifications for other available mods and details.	

34-1/2" HIGH 24" DEEP
BBCF39
BBCF42
BBCF45
BBCF48
BBCF51

BASE CABINETS

Corner Details



CLEARANCE CHART			
CABINET	DIMENSION RANGE	DOOR WIDTH	ACTUAL CABINET WIDTH
39"	37-1/2" - 40-1/2"	12"	36"
42"	40-1/2" - 43-1/2"	15"	39"
45"	43-1/2" - 46-1/2"	18"	42"
48"	46-1/2" - 49-1/2"	21"	45"
51"	49-1/2" - 52-1/2"	24" Single Door	48"

BASE CABINETS

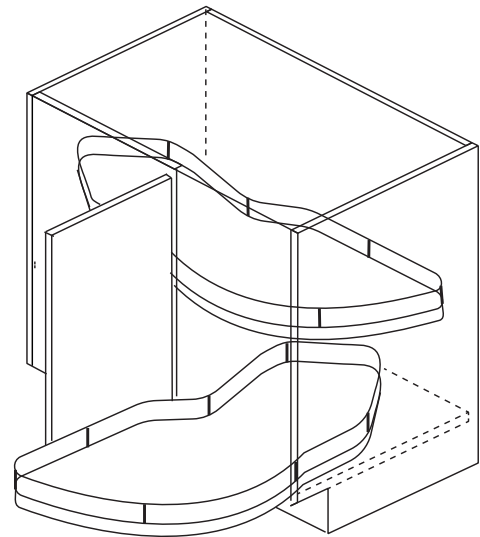
Base Blind Corner Full Pivot Trays | BBCFPT

34 1/2" High x 24" Deep

- Blind base with full high door includes two pivot trays for storage accessibility.
- Heavy duty smooth motion trays have unique shape to maximize space and still pivot and pull into open space.
- Each tray pivots independently.
- Trays are adjustable in height and have a pivot limiter to control pivot distance when next to an appliance.
- Trays feature chrome railing and gray melamine shelf.
- 25 lb. capacity per shelf.

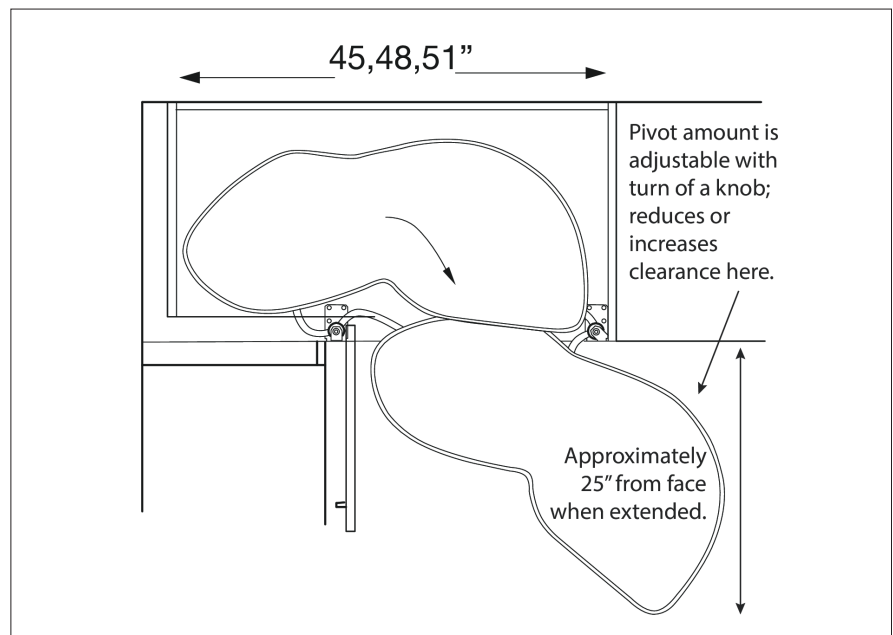
MINIMUM SIZE	
No Modifications	
MODIFICATIONS AVAILABLE	
No Modifications	

34-1/2" HIGH 24" DEEP	
BBCFPT45	
BBCFPT48	
BBCFPT51	



Blind Left shown

Corner Details



CLEARANCE CHART

CABINET	DIMENSION RANGE	DOOR WIDTH	ACTUAL CABINET WIDTH
45"	43-1/2" - 46-1/2"	18"	42"
48"	46-1/2" - 49-1/2"	21"	45"
51"	49-1/2" - 52-1/2"	24"	48"

BASE CABINETS

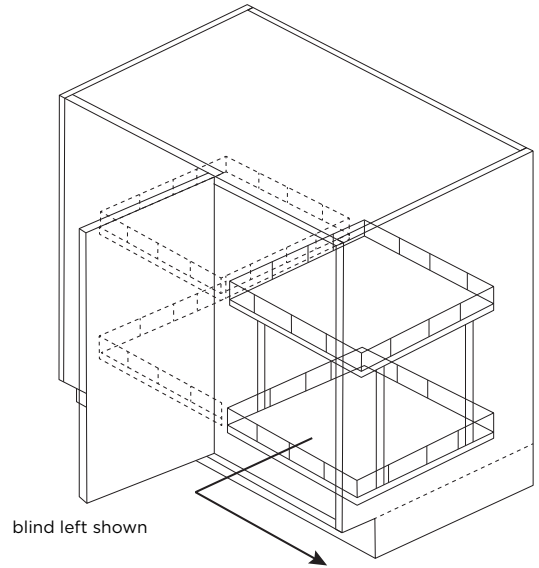
Base Blind Corner Full Organizer | BBCFO

34 1/2" High x 24" Deep

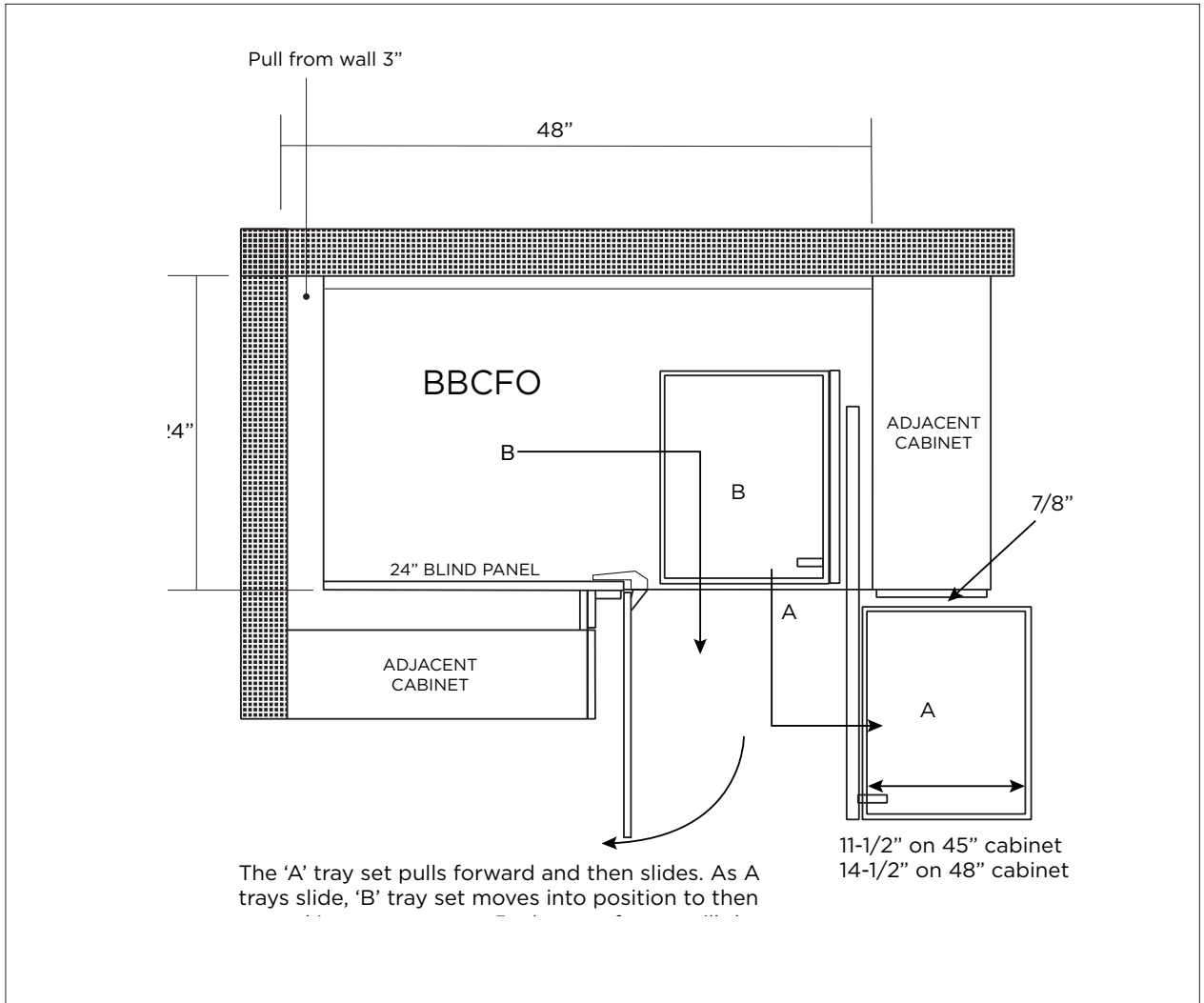
- Base blind with full high door features four full-extension sliding trays
- Trays have chrome wire railing and light gray melamine shelves
- 27# capacity per tray in the 45" width, and 34# for the 48" width cabinet
- Pull first two -tray unit forward then slide. This moves the second two-tray unit into position to extend out of the cabinet. Full access to all four trays.

MINIMUM SIZE
No Modifications
MODIFICATIONS AVAILABLE
No Modifications

34-1/2" HIGH 24" DEEP
BBCF045
BBCF048



Corner Details

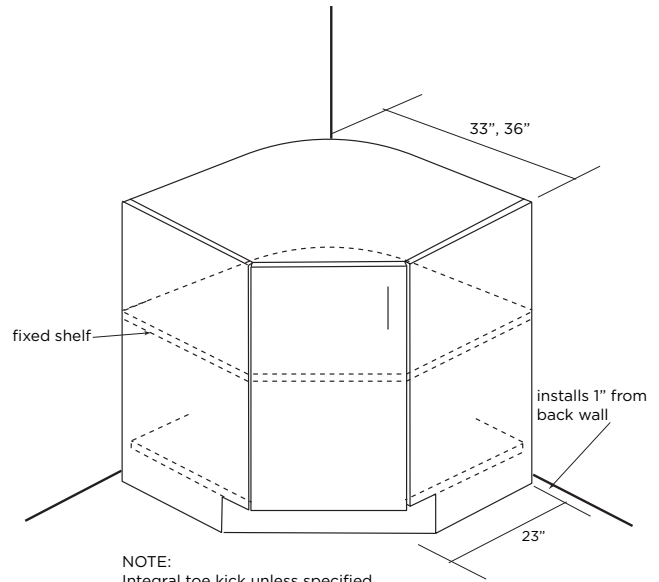


BASE CABINETS

Base Angle Corner | BAC

34 1/2" High x 24" Deep

- Built at 23" box depth; Pull 1" from back walls to align with adjacent cabinets. This allows for out of square corner walls.
- Backs of corner cabinets are built with a 1/8" thick white vinyl on hardboard core. Backs are radiused.
- Angle Corner will include soft close.
- Opening width (point to point), for Angle and Square Corner configurations are: 33" = 11.5"; 36" = 16".
- Fits in either a 33" or 36" corner space.
- Specify hinge right or left.
- Fixed shelf.
- No fillers required between this cabinet and adjacent cabinets.



NOTE:
Integral toe kick unless specified
no toe kick. N/C. Consider door

MINIMUM SIZE	
Minimum Depth	No Mods
Minimum Width	No Mods
Minimum Height	20-1/2"
MODIFICATIONS AVAILABLE	
Finished Interior	
Frame for Glass Door	
Metal Frame Door	
See Modifications for other available mods and details.	

34-1/2" HIGH 24" DEEP
BAC33
BAC36

BASE CABINETS

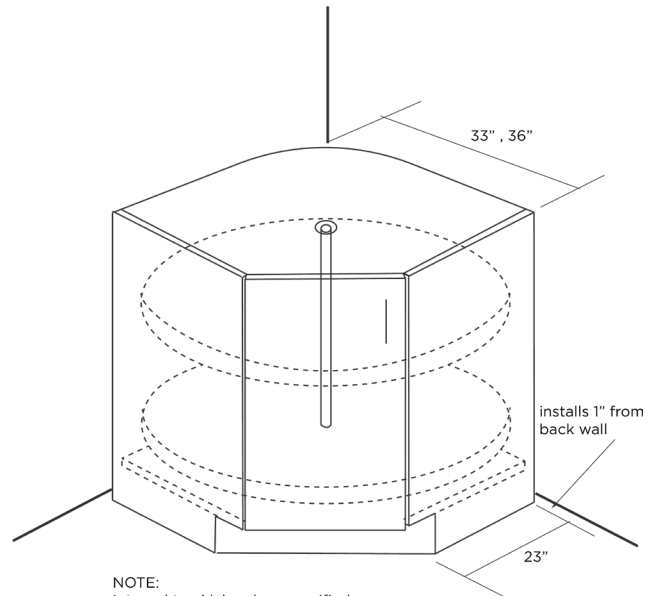
Base Angle Corner Lazy Susan | BACL

34 1/2" High x 24" Deep

- Built at 23" box depth; Pull 1" from back walls to align with adjacent cabinets. This allows for out of square corner walls.
- Backs of corner cabinets are built with a 1/8" thick white vinyl on hardboard core. Backs are radiused.
- Angle Corner will include soft close.
- Opening width (point to point), for Angle and Square Corner configurations are: 33" = 11.5"; 36" = 16".
- 2 white 28" dia. polymer trays.
- Trays operate as a single unit, and are mounted to a chrome post.
- Fits in either a 33" or 36" corner space.
- Specify hinge right or left.
- No fillers required between this cabinet and adjacent cabinets.

MINIMUM SIZE
No Modifications
MODIFICATIONS AVAILABLE
No Modifications

34-1/2" HIGH 24" DEEP
BACL33
BACL36



NOTE:
Integral toe kick unless specified
no toe kick. N/C. Consider door opening widths for delivery into home.

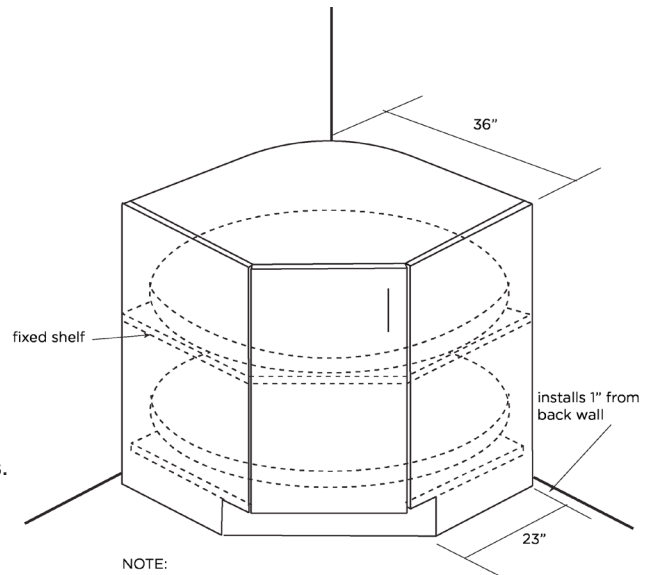
Base Angle Corner Super Susan | BACSS

34 1/2" High x 24" Deep

- Built at 23" box depth; Pull 1" from back walls to align with adjacent cabinets. This allows for out of square corner walls.
- Backs of corner cabinets are built with a 1/8" thick white vinyl on hardboard core. Backs are radiused.
- Soft close hinges are not available on Square Corner configurations. Angle Corner will include soft close.
- Opening width (point to point), for Angle and Square Corner configurations are: 33" = 11.5"; 36" = 16".
- 2 full round wood trays, 33" diameter.
- Trays operate independently.
- Top tray mounted to fixed shelf, no center post.
- Fits in either a 33" or 36" corner space.
- Specify hinge right or left.
- No fillers required between this cabinet and adjacent cabinets.

MINIMUM SIZE
No Modifications
MODIFICATIONS AVAILABLE
No Modifications

34-1/2" HIGH 24" DEEP
BACSS36



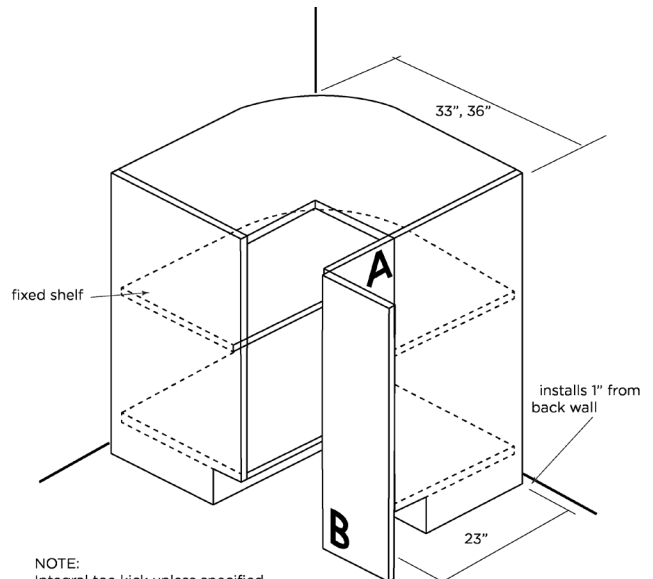
NOTE:
Integral toe kick unless specified
no toe kick. N/C. Consider door opening widths for delivery into home.

BASE CABINETS

Base Square Corner | BSC

34 1/2" High x 24" Deep

- Built at 23" box depth; Pull 1" from back walls to align with adjacent cabinets. This allows for out of square corner walls.
- Backs of corner cabinets are built with a 1/8" thick white vinyl on hardboard core. Backs are radiused.
- A' door is attached to cabinet with 165o hinges. B door is attached to the A door. Soft close hinges are not available on Square Corner configurations.
- Opening width (point to point), for Angle and Square Corner configurations are: 33" = 11.5"; 36" = 16".
- Fits in either a 33" or 36" corner space.
- Fixed shelf.
- No fillers required between this cabinet and adjacent cabinets.



NOTE:
Integral toe kick unless specified
no toe kick. N/C. Consider door opening
widths for delivery into home.

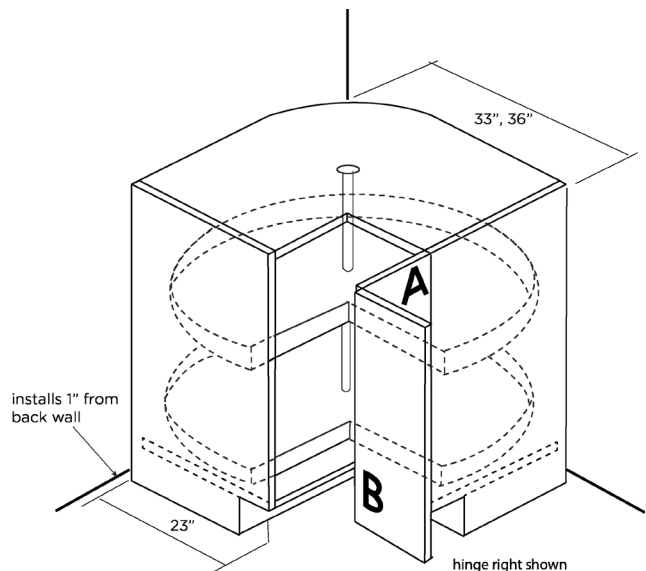
MINIMUM SIZE	
Minimum Depth	No Mods
Minimum Width	No Mods
Minimum Height	20-1/2"
MODIFICATIONS AVAILABLE	
Finished Interior	
Frame for Glass Door	
Metal Frame Door	
See Modifications for other available mods and details.	

34-1/2" HIGH 24" DEEP
BSC33
BSC36

Base Square Corner Lazy Susan | BSCL

34 1/2" High x 24" Deep

- Built at 23" box depth; Pull 1" from back walls to align with adjacent cabinets. This allows for out of square corner walls.
- Backs of corner cabinets are built with a 1/8" thick white vinyl on hardboard core. Backs are radiused.
- Opening width (point to point), for Angle and Square Corner configurations are: 33" = 11.5"; 36" = 16".
- 2 white 28" dia. polymer trays.
- Trays operate independently, and are mounted to a chrome post.
- Fits in either a 33" or 36" corner space.
- 'A' door is attached to cabinet with 165o hinges. 'B' door is attached to 'A' door. Hinges are not soft close on this cabinet.
- No fillers required between this cabinet and adjacent cabinets.



NOTE:
Integral toe kick unless specified
no toe kick. N/C. Consider door open-
ing widths for delivery into home.

MINIMUM SIZE	
No Modifications	
MODIFICATIONS AVAILABLE	
No Modifications	

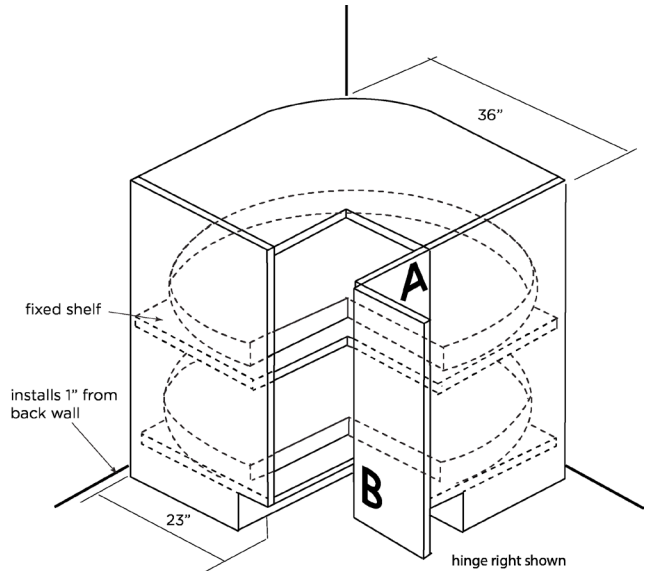
34-1/2" HIGH 24" DEEP
BSCL33
BSCL36

BASE CABINETS

Base Square Corner Super Susan | BSCSS

33", 36" Widths x 24" Deep

- Built at 23" box depth; Pull 1" from back walls to align with adjacent cabinets. This allows for out of square corner walls.
- Backs of corner cabinets are built with a 1/8" thick white vinyl on hardboard core. Backs are radiused.
- Opening width (point to point), for Angle and Square Corner configurations are: 33" = 11.5"; 36" = 16".
- 2 all wood trays, 33" diameter.
- Trays operate independently.
- Top tray mounted to fixed shelf, no center post.
- Fits in either a 33" or 36" corner space.
- 'A' door is attached to cabinet with 165o hinges. 'B' door is attached to 'A' door. Hinges are not soft close on this cabinet.
- No fillers required between this cabinet and adjacent cabinets.



NOTE:
Integral toe kick unless specified
no toe kick. N/C. Consider door open-
ing widths for delivery into home.

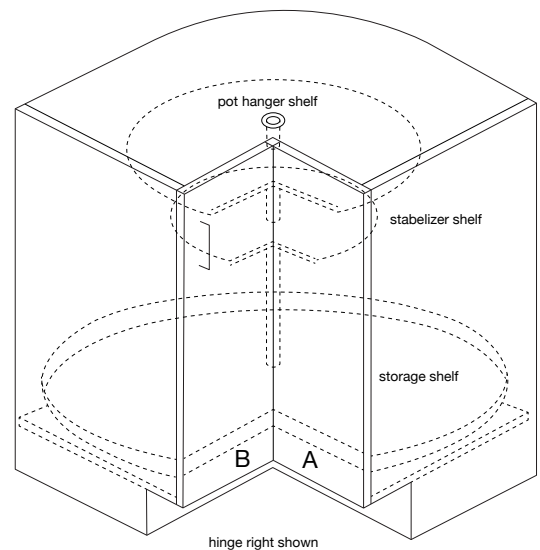
MINIMUM SIZE
No Modifications
MODIFICATIONS AVAILABLE
No Modifications

34-1/2" HIGH 24" DEEP
BSCSS33
BSCSS36

Base Square Corner Susan Organizer | BSCSO

34 1/2" High x 24" Deep

- Base square corner lazy susan features unique Maple wood trays designed for hanging pots/pans rather than stacking.
- Will accommodate up to seven hanging pans. Bottom tray provides additional storage space.
- Pans are held in place with handle notches machined into the intermediate tray.
- Free up bottom tray space by hanging pan lids over the pan handle before hanging.
- 'A' door is attached to cabinet with 165o hinges. 'B' door is attached to 'A' door. Hinges are not soft close on this cabinet.
- No fillers required between this cabinet and adjacent cabinets.



MINIMUM SIZE
No Modifications
MODIFICATIONS AVAILABLE
No Modifications

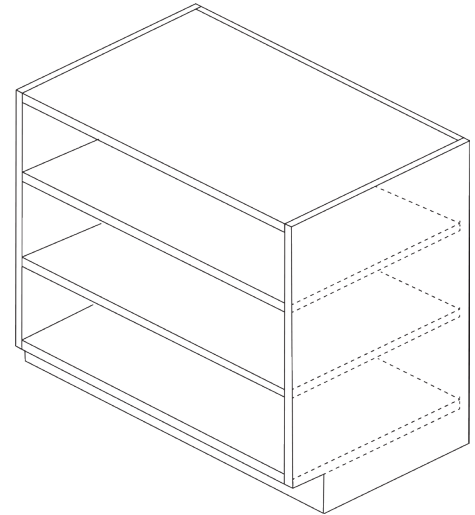
34-1/2" HIGH 24" DEEP
BSCSO36

BASE CABINETS

Base Open | B0

34 1/2" High x 24" Deep

- Cabinets constructed with 3/4" thick sides, top, bottom, and shelves.
- All interior and exterior surfaces are finished to match.
- Case edge band is real wood veneer 'tape' on wood door orders.
- The A grade side of wood veneers will be placed on the interior side of the cabinet unless a finished end is specified, in which case the A side will be used on the exterior side.
- There is no additional charge for finished ends on this open cabinet.



Note:

- Sides and back will have vertical pattern/grain direction in all door styles.

MINIMUM SIZE	
Minimum Depth	4"
Minimum Width	9"
Minimum Height	20-1/2"
MODIFICATIONS AVAILABLE	
No Modifications	
See Modifications for other available mods and details.	

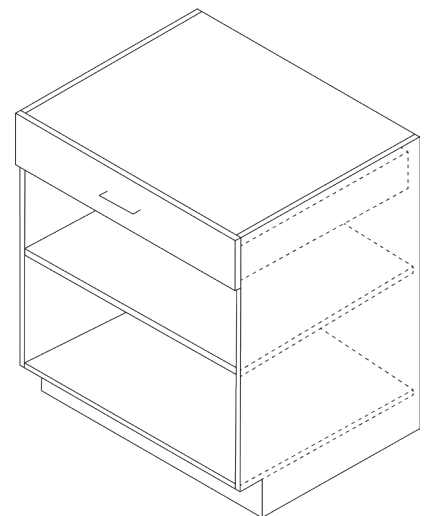
34-1/2" HIGH 24" DEEP
B009
B012
B013.5
B015
B016.5
B018
B019.5

34-1/2" HIGH 24" DEEP
B021
B024
B027
B030
B033
B036

Base Open Top Drawer | BOTD

34 1/2" High x 24" Deep

- One full width drawer, no doors.
- Cabinet constructed with 3/4" thick finished material that matches door material and finish.
- One 3/4" adjustable shelf in matching material.
- Box exterior is finished as well. If an exterior side is going to show, specify the finished end to insure A grade material is used on that exterior side. This is a N/C finished end.
- Sides and back will have vertical pattern/grain direction in all door styles.



MINIMUM SIZE	
Minimum Depth	12"
Minimum Width	9"
Minimum Height	20-1/2"
MODIFICATIONS AVAILABLE	
No Modifications	
See Modifications for other available mods and details.	

34-1/2" HIGH 24" DEEP
BOTD18
BOTD21
BOTD24
BOTD27
BOTD30
BOTD33
BOTD36

BASE CABINETS

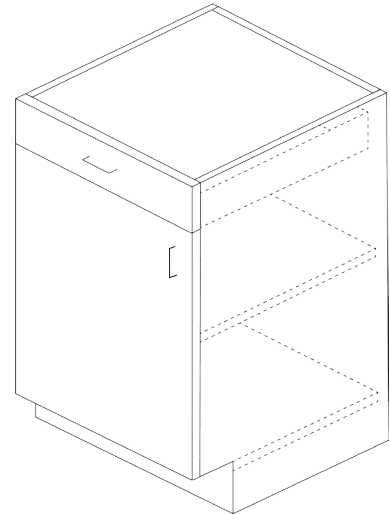
Desk Height Base | D

28 1/2" High x 24" Deep

- Full width drawer.
- 12" - 21" wide base cabinets will have a single door, specify hinge left or right.
- 24" - 36" wide base cabinets will have 2 doors of equal width.
- 1 adjustable shelf.

MINIMUM SIZE	
Minimum Depth	12"
Minimum Width	9"
Minimum Height	No Mods
MODIFICATIONS AVAILABLE	
No Modifications	
See Modifications for other available mods and details.	

28-1/2" HIGH 24" DEEP
D12
D15
D18
D21
D24
D27
D30
D33
D36



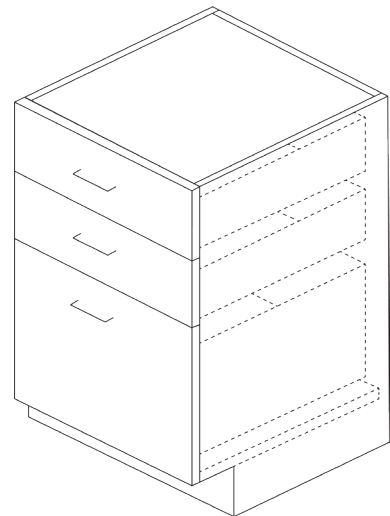
Three Desk Drawer | 3DD

28 1/2" High x 24" Deep

- Desk height drawer base. Not intended for working file storage; see 2FD for actual file cabinet.
- Top Drawer Front Height: 5 7/8".
- Middle Drawer Front Height: 5 7/8".
- Bottom Drawer Front Height: 11 13/16".
- Standard Height = 28 1/2".

MINIMUM SIZE	
Minimum Depth	10"
Minimum Width	12"
Minimum Height	12"
MODIFICATIONS AVAILABLE	
No Modifications	
See Modifications for other available mods and details.	

28-1/2" HIGH 24" DEEP
3DD12
3DD15
3DD18
3DD21
3DD24



BASE CABINETS

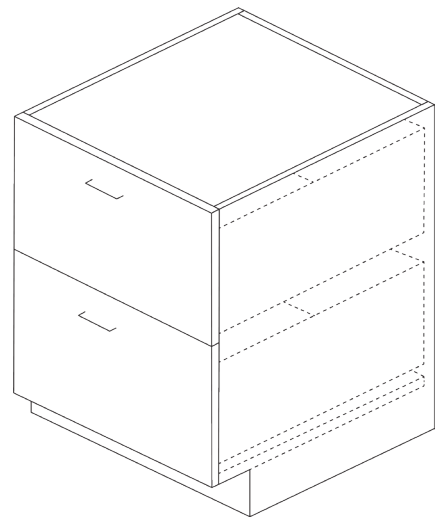
Two File Drawer | 2FD

28 1/2" High x 24" Deep

- Each drawer has a heavy duty (150 lb. rated) full extension side mount drawer guide.
- Includes pendaflex hanging rails (shipped loose).
- Drawer front heights = 11 13/16".

Note:

- File drawer boxes are only constructed with 5/8" maple plywood with concealed doweled joints. Satino option not available.

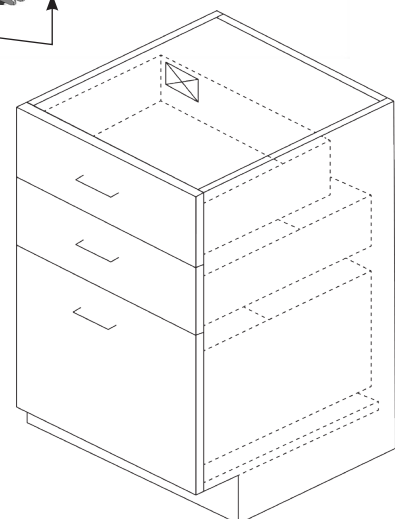
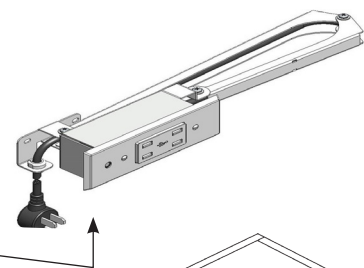


MINIMUM SIZE
No Modifications
MODIFICATIONS AVAILABLE
No Modifications

28-1/2" HIGH 24" DEEP
2FD18

Three Desk Drawer Docking Insert | 3DDDDI

- This base cabinet include a factory installed powered docking station called 'Docking Drawer'.
- Docking Drawer is a UL approved purpose-built unit providing a safe and clutter free solution for charging personal technology devices.
- The Docking Drawer is factory installed into the top drawer of the cabinets shown below. All that is required on the job site is providing a 110v outlet behind the cabinet for the plug in.
- Unit is ETL listed to UL962a & CSA-C22.2 standards.
- Built in circuit breaker.
- Four USB ports.
- 6 foot long cord with NEMA 5-15 plug.
- Top drawer box including the Docking Drawer unit will be 18" deep instead of standard 21". This provides the clearance needed for the cord management pivot arm.
- Docking Drawer installed in left corner of drawer. Drawer can be removed from cabinet by first removing face cover plate.
- Cover plate is black.
- Only the black face plate will show inside the drawer. Other parts are concealed behind the drawer.
- Pivot arm keeps power chord from binding as drawer is opened and closed; tested to 500,000 cycles.



MINIMUM SIZE
No Modifications
MODIFICATIONS AVAILABLE
No Modifications

24" DEEP
3DDDDI18
3DDDDI21
3DDDDI24

- Top Drawer Front Height: 5 7/8".
- Middle Drawer Front Height: 5 7/8".
- Bottom Drawer Front Height: 11 13/16".
- Standard 24" 3 Desk Drawer.
- Top drawer will be 18" deep.
- Docking Drawer factory installed.

BASE CABINETS

Knee Drawer | KD

6 1/8" High x 24" Deep

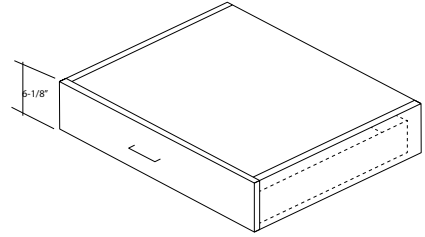
- Kitchen desk drawer cabinet.
- Drawer front height - 5 7/8".
- Cabinet box height - 6 1/8".
- Solid top.

Note:

- Does not allow adequate knee clearance if installed at 30" counter height.

MINIMUM SIZE	
Minimum Depth	12"
Minimum Width	12"
Minimum Height	No Mods
MODIFICATIONS AVAILABLE	
No Modifications	
See Modifications for other available mods and details.	

6-1/8" HIGH 24" DEEP
KD24
KD27
KD30
KD33
KD36



Pencil Drawer | PD

4 1/2" High x 24" Deep

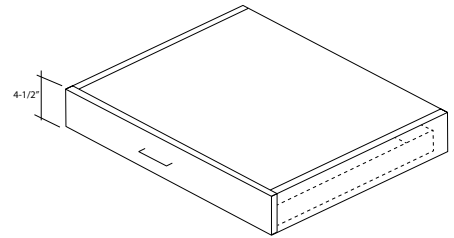
- Desk pencil drawer cabinet.
- Full width drawer.
- Solid top.
- Drawer front height – 4 1/4".
- Cabinet box height – 4 1/2".
- Touch Latch not available.

Note:

- Slab style drawer front on all door styles.

MINIMUM SIZE	
Minimum Depth	12"
Minimum Width	12"
Minimum Height	No Mods
MODIFICATIONS AVAILABLE	
No Modifications	
See Modifications for other available mods and details.	

4-1/2" HIGH 24" DEEP
PD24
PD27
PD30
PD33
PD36



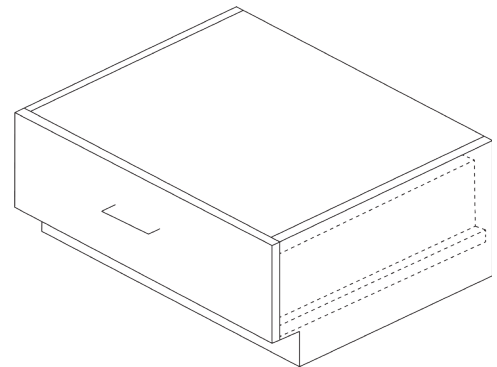
Window Seat Drawer | WNSD

16 1/2" High x 24" Deep

- Full width drawer. 8" tall drawer sides on wood drawer; galley rails with Satino drawer. 11 13/16" drawer face.
- Full top construction like base cabinets.

MINIMUM SIZE	
Minimum Depth	12"
Minimum Width	12"
Minimum Height	10"-1/2"
MODIFICATIONS AVAILABLE	
No Modifications	
See Modifications for other available mods and details.	

16-1/2" HIGH 24" DEEP
WNSD18
WNSD21
WNSD24
WNSD27
WNSD30
WNSD33
WNSD36

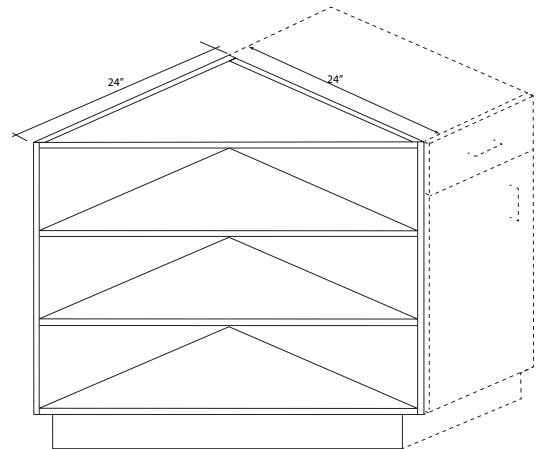


BASE CABINETS

Base Triangle End Open | BTEO

34 1/2" High x 24" Deep

- Cabinets constructed with 3/4" thick sides, top, bottom, and fixed shelves.
- All interior and exterior surfaces are finished to match.
- Case edge band is real wood veneer 'tape' on wood door orders.
- The A grade side of wood veneers will be placed on the interior side of the cabinet unless a finished end is specified, in which case the A side will be used on the exterior side.
- There is no additional charge for finished ends on this open cabinet.



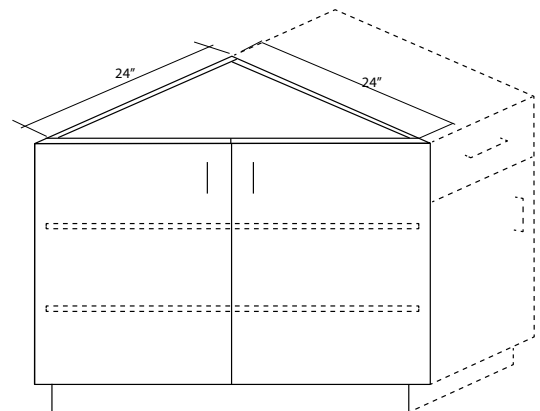
MINIMUM SIZE	
Minimum Depth	No Mods
Minimum Width	No Mods
Minimum Height	20-1/2"
MODIFICATIONS AVAILABLE	
No Modifications	
See Modifications for other available mods and details.	

34-1/2" HIGH 24" DEEP BTE024

Base Triangle End | BTE

34 1/2" High x 24" Deep

- 45 degree face with 2 full height doors.
- 2 adjustable shelves.
- Use at end of run or to turn 90 degree outside corner.
- Finished ends are not available.
- Will not have soft close hinges.



MINIMUM SIZE	
Minimum Depth	No Mods
Minimum Width	No Mods
Minimum Height	20-1/2"
MODIFICATIONS AVAILABLE	
Finished Interior	
Frame for Glass Door	
Metal Frame Door	
See Modifications for other available mods and details.	

34-1/2" HIGH 24" DEEP BTE24

BASE CABINETS

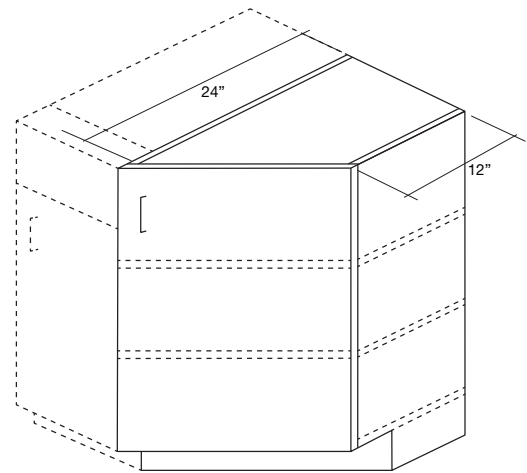
Base Angle Transition | BAT

34 1/2" High x 24" Deep

- 45 degree face with full height door.
- Door is 16 1/2" wide.
- For transition from 24" deep to 12" deep or use at end of run.
- Two adjustable shelves.
- Hinges on short side only.
- Must specify finished end.
- Specify right or left transition.

Note:

- Depth decrease mod limited to 18" on long side. Short side will be 12" shorter.



hinge right shown

MINIMUM SIZE	
Minimum Depth	16"
Minimum Width	No Mods
Minimum Height	20-1/2"
MODIFICATIONS AVAILABLE	
Finished Interior	
Frame for Glass Door	
Metal Frame Door	
See Modifications for other available mods and details.	

34-1/2" HIGH 24" DEEP
BATL12
BATR12